

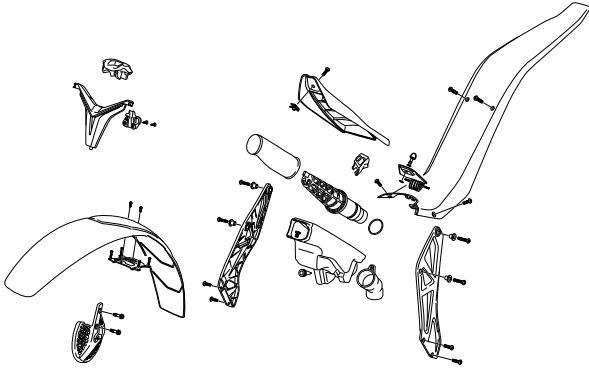
**Vertigo**  
EXPERIENCE & PASSION



**COMBAT** 2017  
**CAMO WORKS**  
250cc

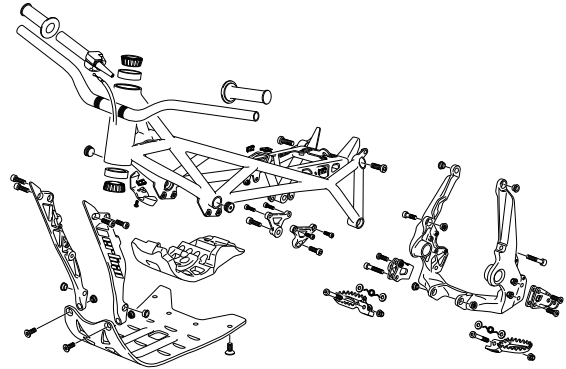
**CATÁLOGO RECAMBIOS / SPARE PARTS BOOK / PIÈCES DE RECHANGE**

PG. 1-2



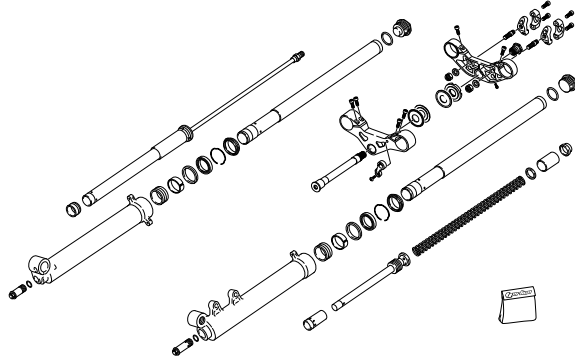
PLÁSTICOS - PLASTICS

PG. 3-4



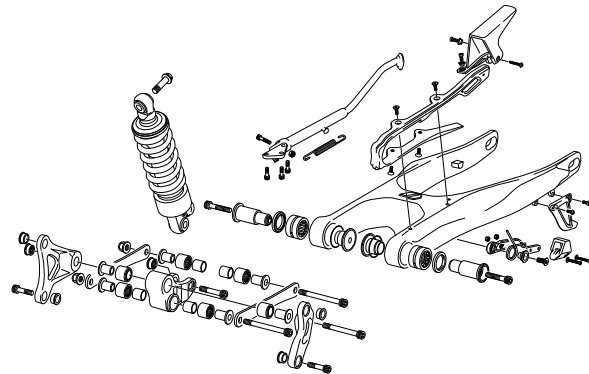
CHASIS - CHASSIS

PG. 5-6



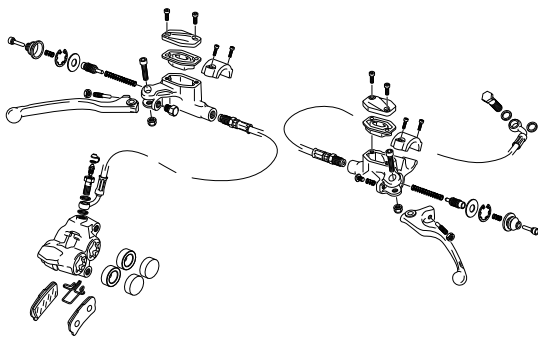
HORQUILLA DELANTERA - FRONT FORK

PG. 7-8



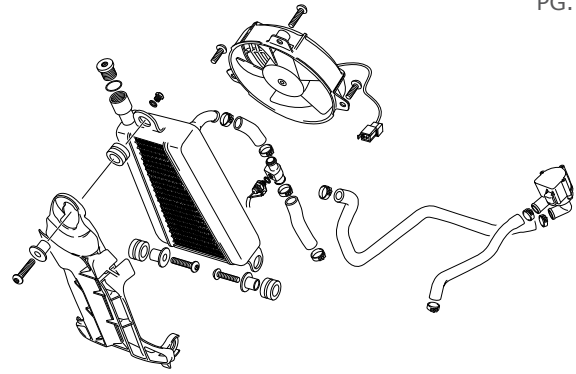
AMORTIGUACIÓN TRASERA - REAR SHOCK ABSORBER

PG. 9



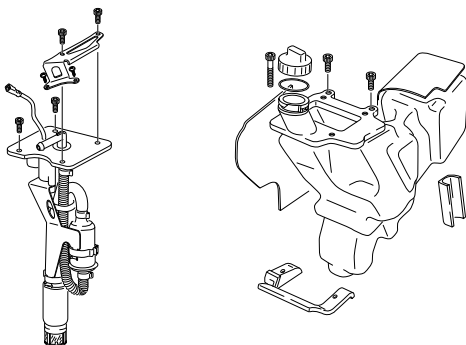
MANETAS - FRONT BRAKE

PG. 10



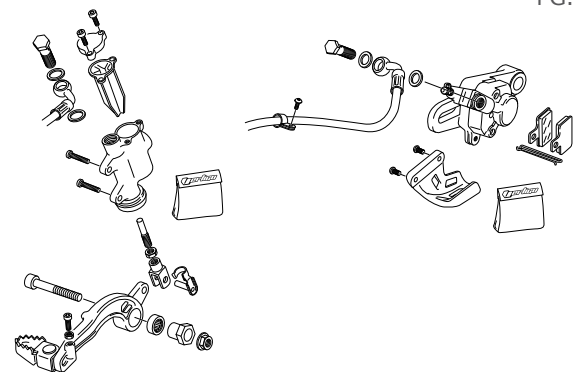
RADIADOR - RADIATOR

PG. 11



DEPÓSITO DE GASOLINA - FUEL TANK

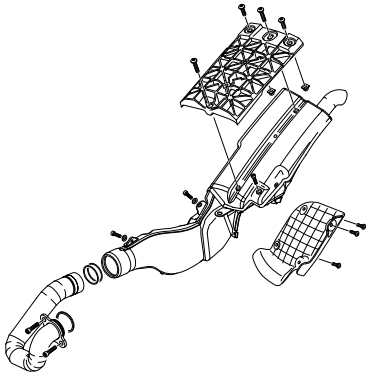
PG. 12



FRENO TRASERO - REAR BRAKE

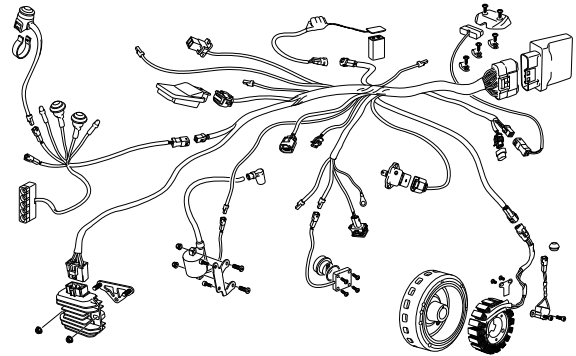


PG. 13



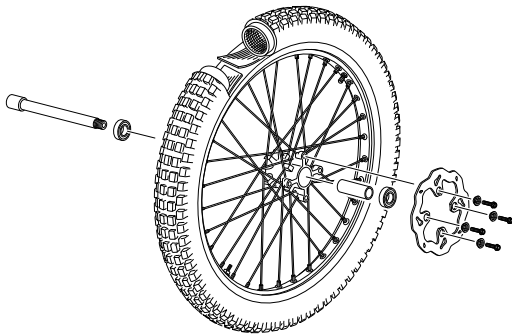
ESCAPE - EXHAUST

PG. 14



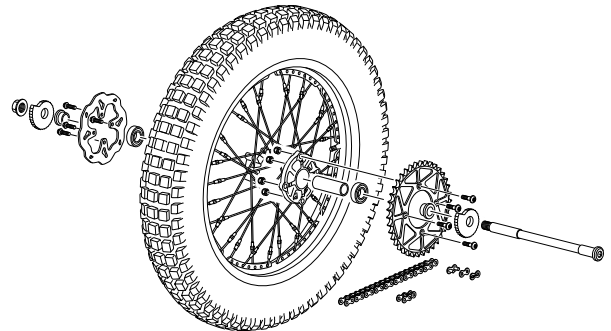
INSTALACIÓN ELÉCTRICA - ELECTRICAL SYSTEM

PG. 15



RUEDA DELANTERA - FRONT WHEEL

PG. 16



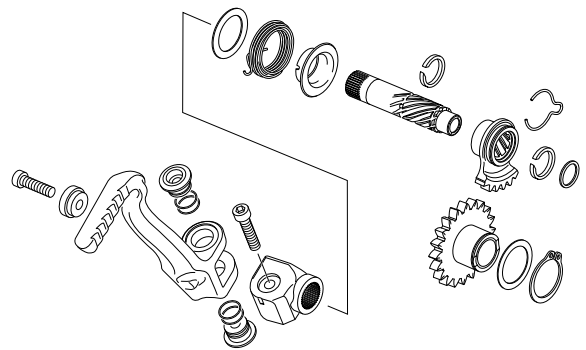
RUEDA TRASERA - REAR WHEEL

PG. 17



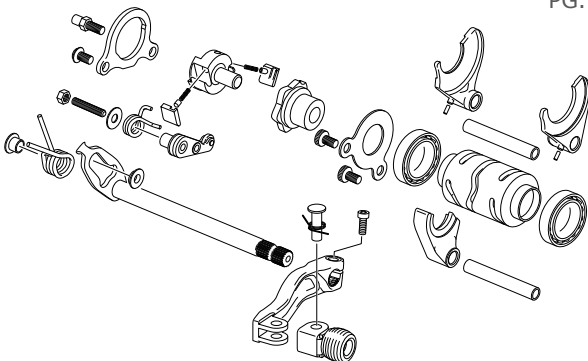
ADHESIVOS - STICKERS

PG. 18



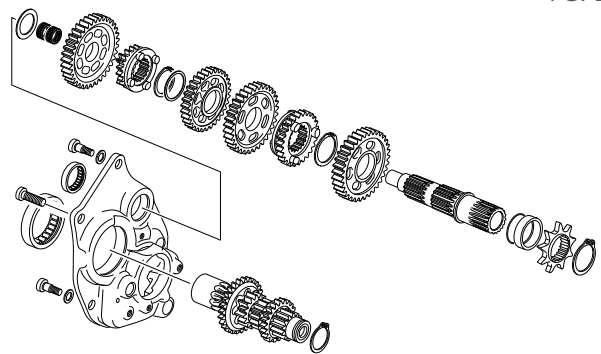
SISTEMA DE ARRANQUE - STARTING SYSTEM

PG. 19



SELECTOR DEL CAMBIO - CHANGE SELECTOR

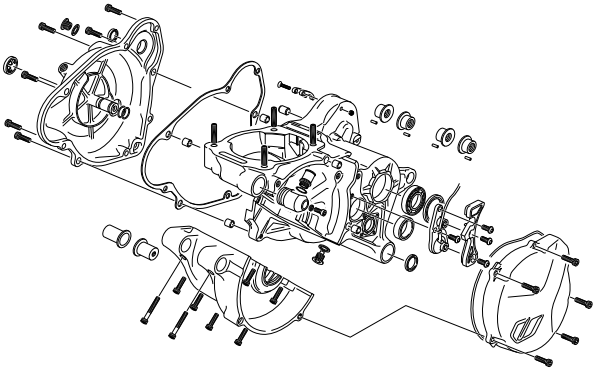
PG. 20



CAMBIO DE MARCHAS - GEARBOX

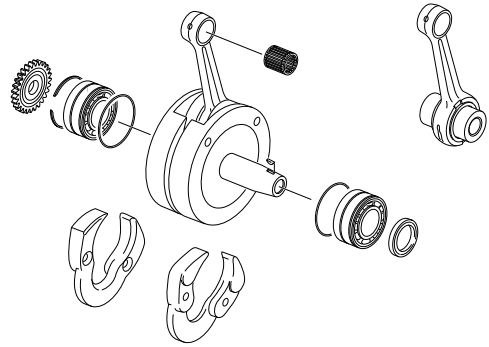


PG. 21-22



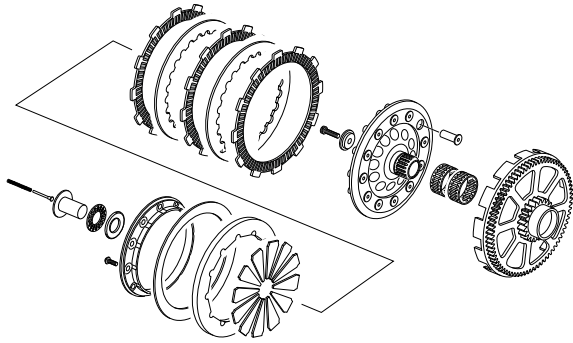
CÁRTERS Y TAPAS - CARTERS AND COVERS

PG. 23



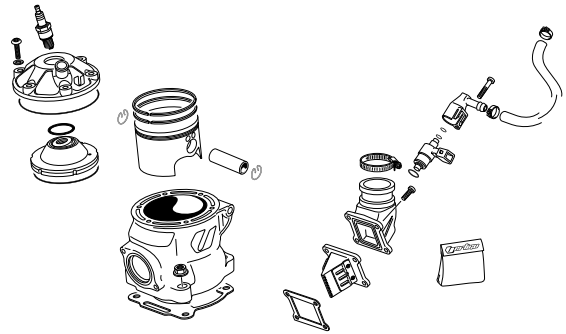
BIELA - ROD

PG. 24



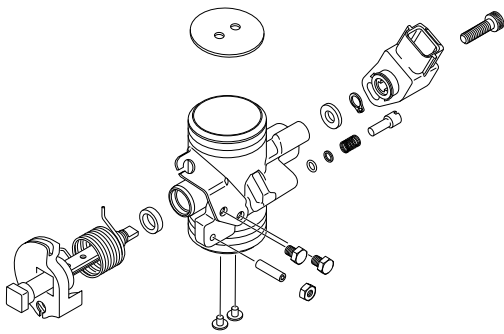
EMBRAGUE - CLUTCH

PG. 25



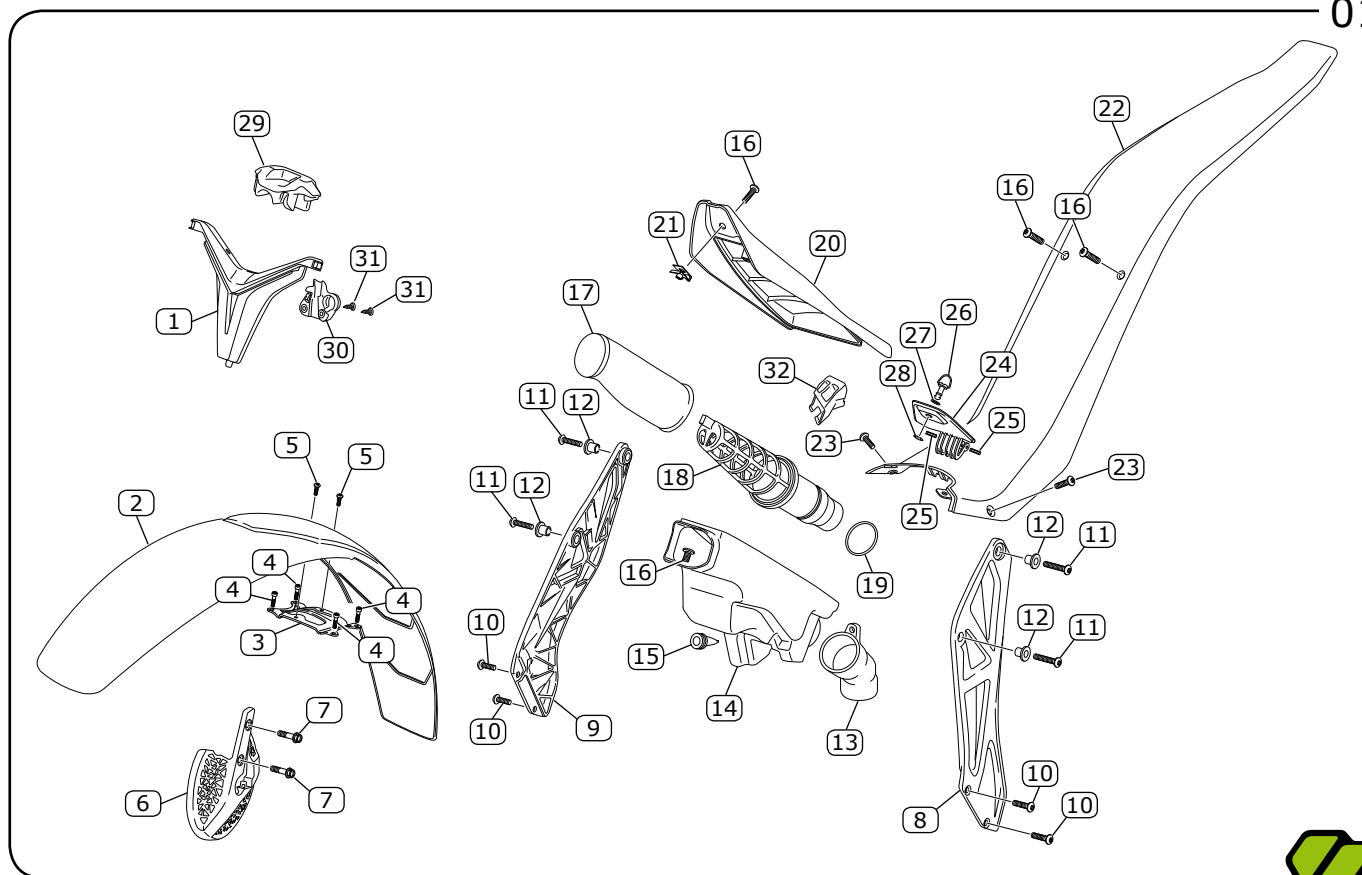
CILINDRO-CULATA-PISTON - CYLINDER-HEAD-PISTON

PG. 26

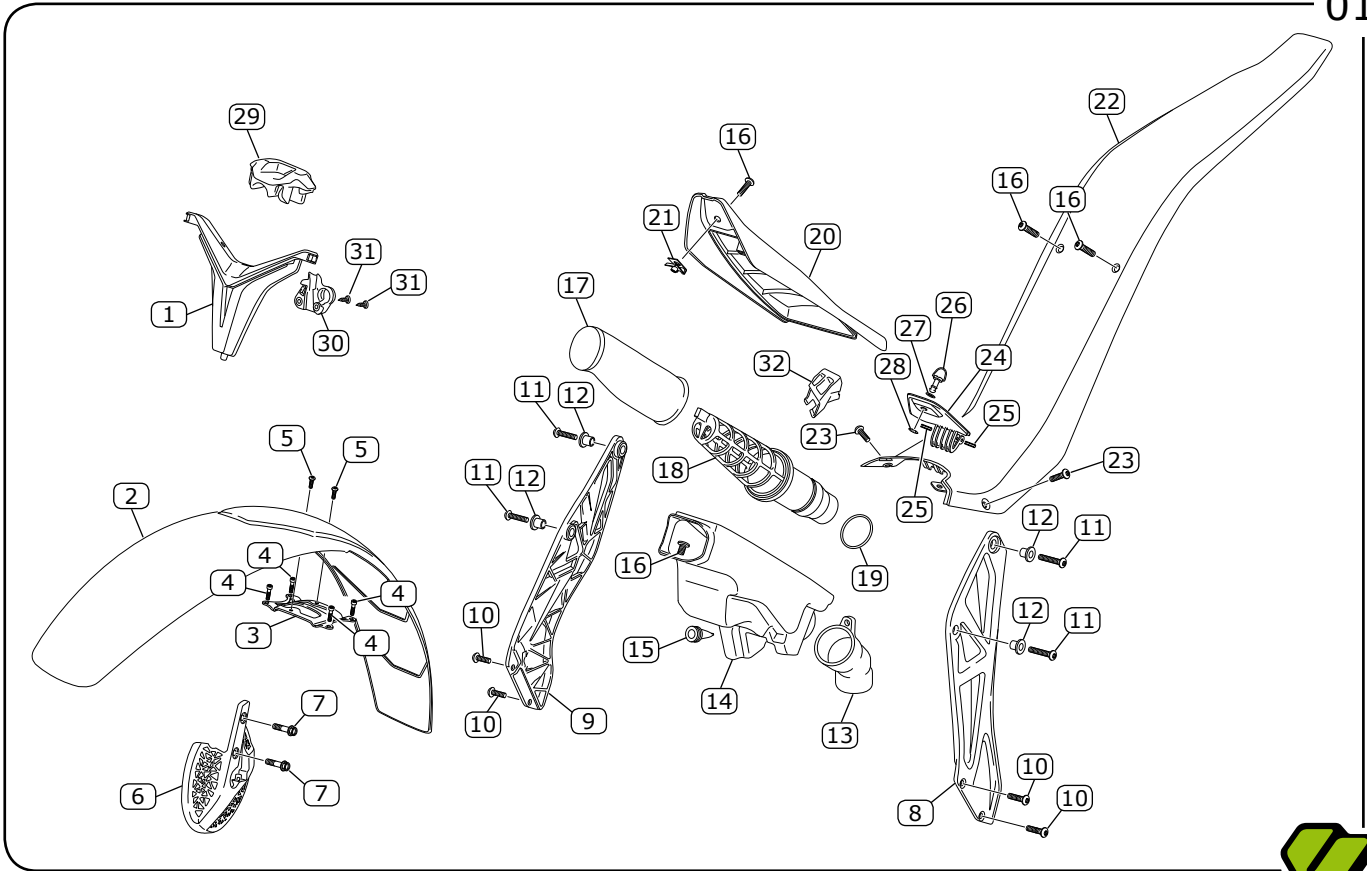


CUERPO INYECCIÓN - BODY INJECTION

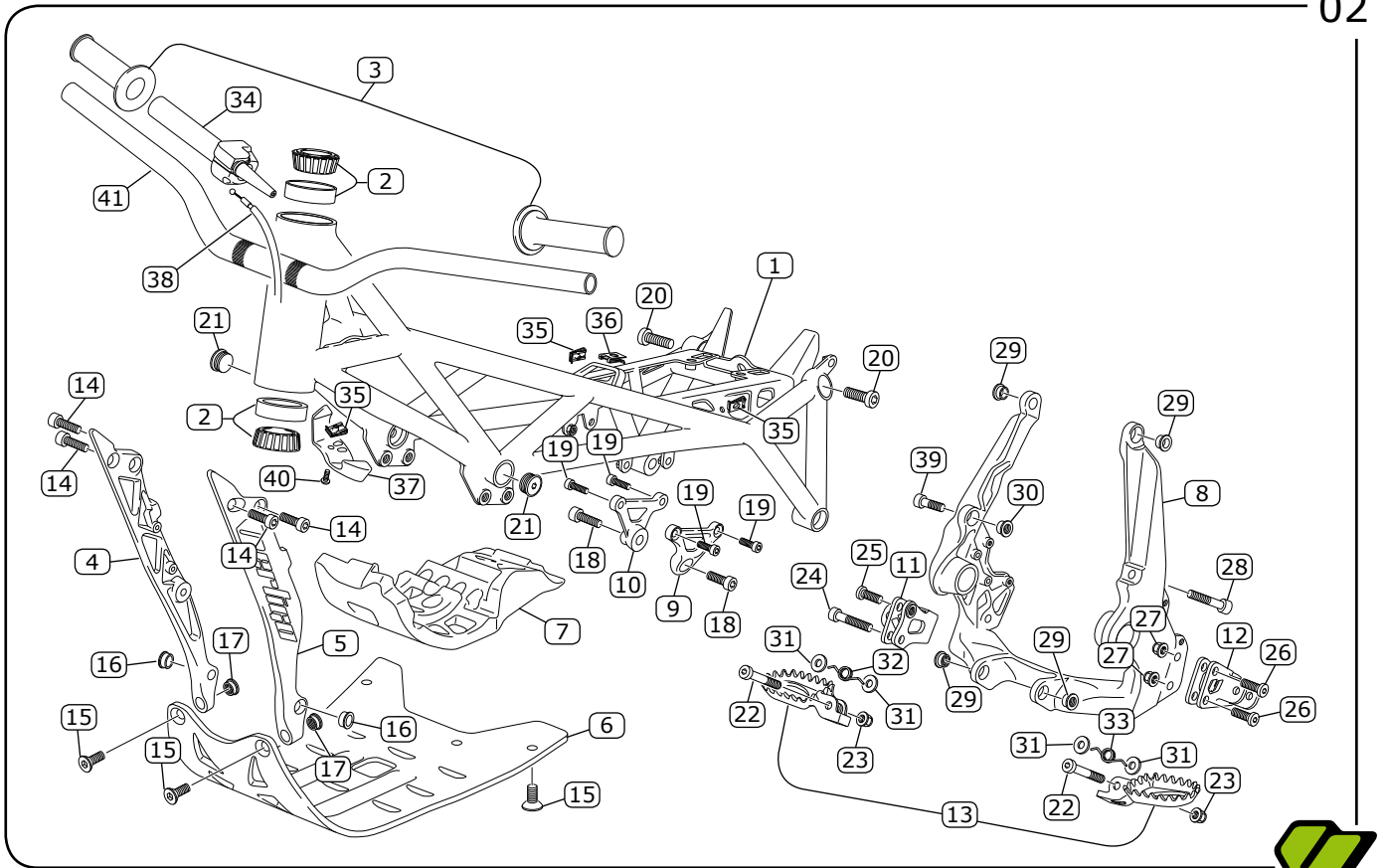




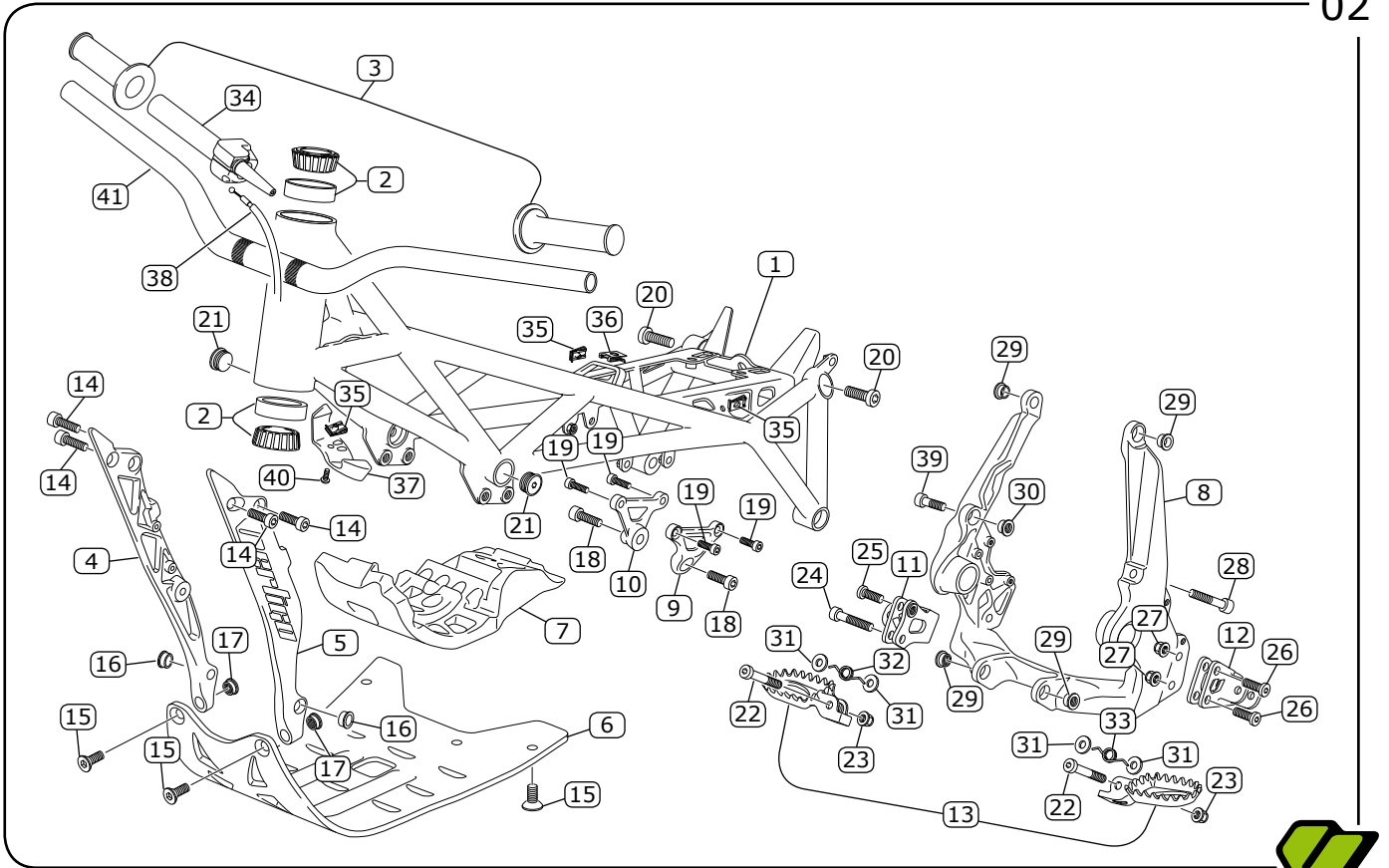
POS.	COD.	DESCRIPCIÓN	DESCRIPTION
1	V-0412	CARETA RACING	LIGHT COVER
2	V-0409	GUARDABARROS DELANTERO	FRONT MUDGUARD
3	V-0428	PUENTE HORQUILLA	FRONT MUDGUARD HOLDER
4	V-0680	TORNILLO ESPECIAL M6x14 8.8	SPECIAL SCREW M6x14 8.8
5	V-0440	TORNILLO M5x6 ISO 7380 8.8	SCREW M5x6 ISO 7380 8.8
6	V-0407	PROTECTOR DISCO FRENO DELANTERO	FRONT BRAKE DISC COVER
7	V-0463	TORNILLO ESPECIAL M8x30 DIN6921 8.8	SCREW M8x30 DIN6921 8.8
8	V-0537	PROTECTOR ESCAPE IZQUIERDO	LEFT EXHAUST PROTECTOR
9	V-0536	PROTECTOR ESCAPE DERECHO	RIGHT EXHAUST PROTECTOR
10	V-0646	TORNILLO M6x16 ISO7380 8.8	SCREW M6x16 ISO7380 8.8
11	V-0560	TORNILLO M6x20 ISO 7380 8.8	SCREW M6x20 ISO 7380 8.8
12	V-0675	CASQUILLO PROTECTOR ESCAPE	EXHAUST COVER SLEEVE
13	V-0417	GOMA TOBERA-CAJA FILTRO	THROTTLE BODY MANIFOLD
14	V-0415	CAJA FILTRO	AIRBOX
15	V-0420	VALVULA CAJA FILTRO	AIRBOX VALVE
16	V-0813	TORNILLO M6x12 ISO 7380-1 8.8	SCREW M6x12 ISO 7380-1 8.8
17	V-1077	ESPUMA FILTRO AIRE	AIR FILTER FOAM
18	V-1076	REJILLA FILTRO AIRE	AIR FILTER GRID
19	V-0631	TORICA 44,12x 2,62 DIN 3771	O-RING 44x2 DIN 3771
20	V-0406	TAPA CAJA FILTRO	AIR FILTER COVER
21	V-0679	TUERCA RAPIDA TRT-M6	FAST NUT TRT-M6
22	V-0413	GUARDABARROS TRASERO	REAR MUDGUARD
23	V-0433	TORNILLO M5x16 ISO7380 8.8	SCREW M5x16 ISO7380 8.8
24	V-0414	TAPA DEPÓSITO GASOLINA	FUEL TANK COVER
25	V-0809	PASADOR TAPA DEPÓSITO GASOLINA	FUEL TANK COVER PIN
26	V-0571	CIERRE 1/4 VUELTA	1/4 TURN SCREW
27	V-0658	ARANDELA NYLON	NYLON WASHER
28	V-0657	RETEN ACERO INOX. CIERRE 1/4 VUELTA	1/4 TURN STAINLESS STEEL WASHER
29	V-0520	PROTECTOR MANILLAR	HANDLEBAR PROTECTOR
30	V-0832	SOPORTE LED	LED SUPPORT



POS.	COD.	DESCRIPCIÓN	DESCRIPTION
31	V-0775	TORNILLO ROSCA CHAPA 4.8x19 DIN 7981	SCREW 4.8X19 DIN 7981
32	V-0534	GOMA SOPORTE POWER BOX	POWERBOX RUBBER SUPPORT

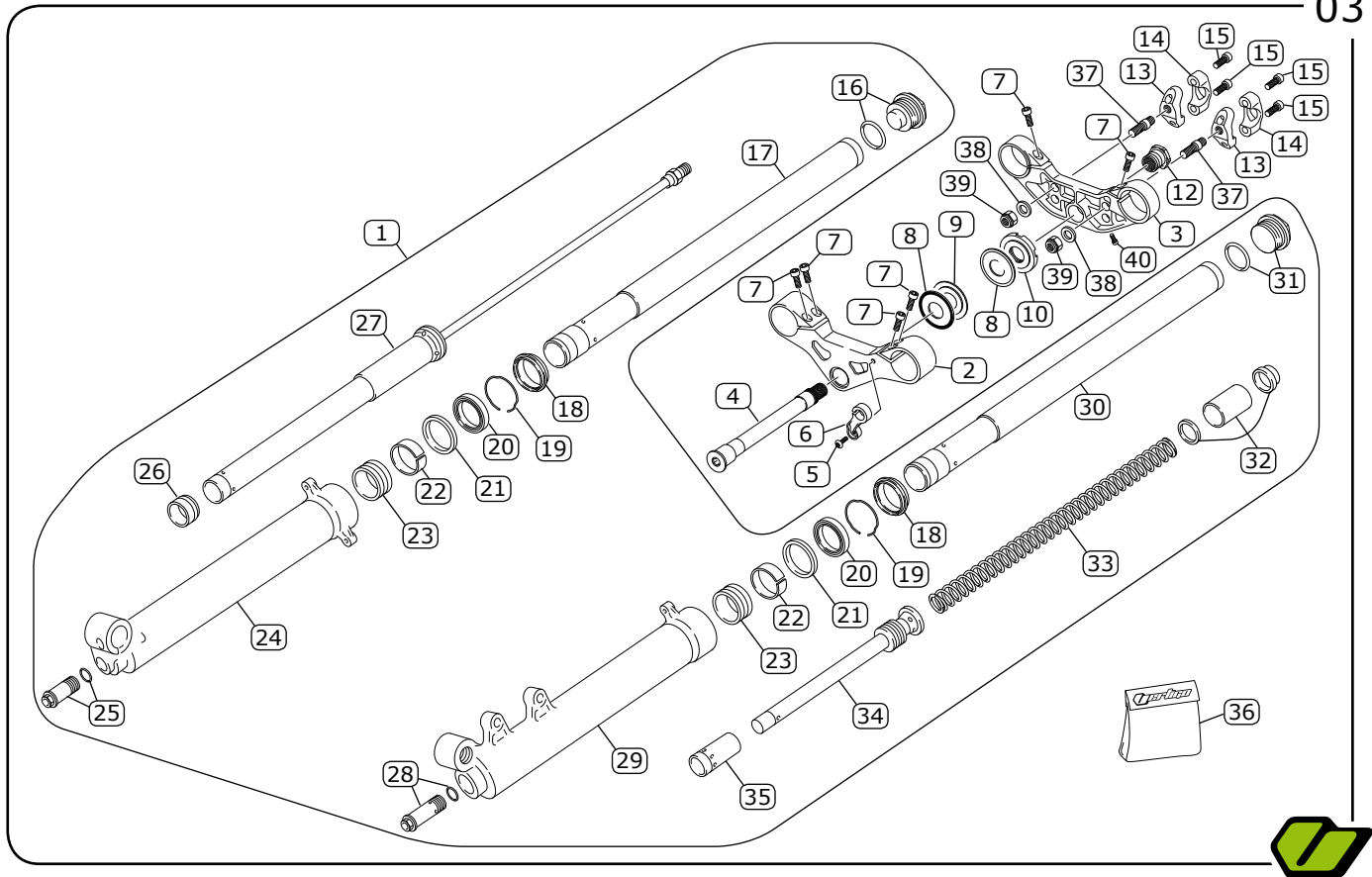


POS.	COD.	DESCRIPCIÓN	DESCRIPTION
1	V-0344	BASTIDOR TUBULAR COMBAT VERDE ST52	COMBAT TUBULAR FRAME GREEN ST52
2	V-0280	RODAMIENTO DIRECCIÓN 32004-X	BEARING 32004-X STEERING TUBE
3	V-0390	JUEGO EMPUÑADURAS	GRIPS SET
4	V-0345	SUBCHASIS DELANTERO DERECHO	FRONT RIGHT SUBFRAME
5	V-0346	SUBCHASIS DELANTERO IZQUIERDO	FRONT LEFT SUBFRAME
6	V-0359	PROTECTOR CARTER	SKID PLATE
7	V-0403	GOMA PROTECTOR CARTER	SKID PLATE RUBBER
8	V-0347	SUBCHASIS TRASERO	REAR FRAME
9	V-0884	TIRANTE CILINDRO IZQUIERDO ALUMINIO ROJO	ALUMINIUM RED LEFT CYLINDER SUPPORT
10	V-0883	TIRANTE CILINDRO DERECHO ALUMINIO ROJO	ALUMINIUM RED RIGHT CYLINDER SUPPORT
11	V-0425	SOPORTE ESTRIBERA DERECHO	RIGHT SIDE FOOTREST SUPPORT
12	V-0426	SOPORTE ESTRIBERA IZQUIERDO	LEFT SIDE FOOTREST SUPPORT
13	V-0361	JUEGO DE ESTRIBOS	FOOTREST SET
14	V-1043	TORNILLO M8X15 DIN 912 8.8	SCREW M8X15 DIN 912 8.8
15	V-0456	TORNILLO M8X16 DIN 7991 8.8	SCREW M8X16 DIN 7991 8.8
16	V-0328	CASQUILLO SUBCHASIS DEL.	FRONT SUBFRAME SLEEVE
17	V-0327	CASQUILLO ROSCADO SUBCHASIS DEL.	FRONT SUBFRAME THREADED SLEEVE
18	V-0458	TORNILLO M8X20 DIN 912 8.8	SCREW M8X20 DIN 912 8.8
19	V-0462	TORNILLO M6X16 DIN912 8.8	SCREW M6X16 DIN912 8.8
20	V-0253	TORNILLO M10X30 DIN 6912 10.9	SCREW M10X30 DIN912 10,9
21	V-0581	TAPÓN BASTIDOR TUBULAR	TUBULAR FRAME CAP
22	V-0469	TORNILLO ESPECIAL M8X45 8.8	SCREW M8X45 8.8
23	V-0686	TUERCA M8 AUTOBLOCANTE	M8 AUTOLOCK NUT
24	V-0466	TORNILLO M8X50 DIN6912 10.9	SCREW M8X50 DIN6912 10.9
25	V-0443	TORNILLO ESPECIAL M8X20 DIN 6912 10.9	SCREW M8X20 DIN 6912 10.9
26	V-0459	TORNILLO ESPECIAL M8X28 DIN 6912 10.9	SCREW M8X28 DIN 6912 10.9
27	V-0471	TUERCA M8 DIN 6923	NUT M8 DIN 6923
28	V-0468	TORNILLO M8X45 DIN 912 10.9	SCREW M8X45 DIN 912 10.9
29	V-0392	CASQUILLO PASANTE M10	THROUGH SLEEVE M10
30	V-0322	CASQUILLO ROSCADO SOPORTE TRASERO M10	REAR FRAME THREADED SLEEVE M10

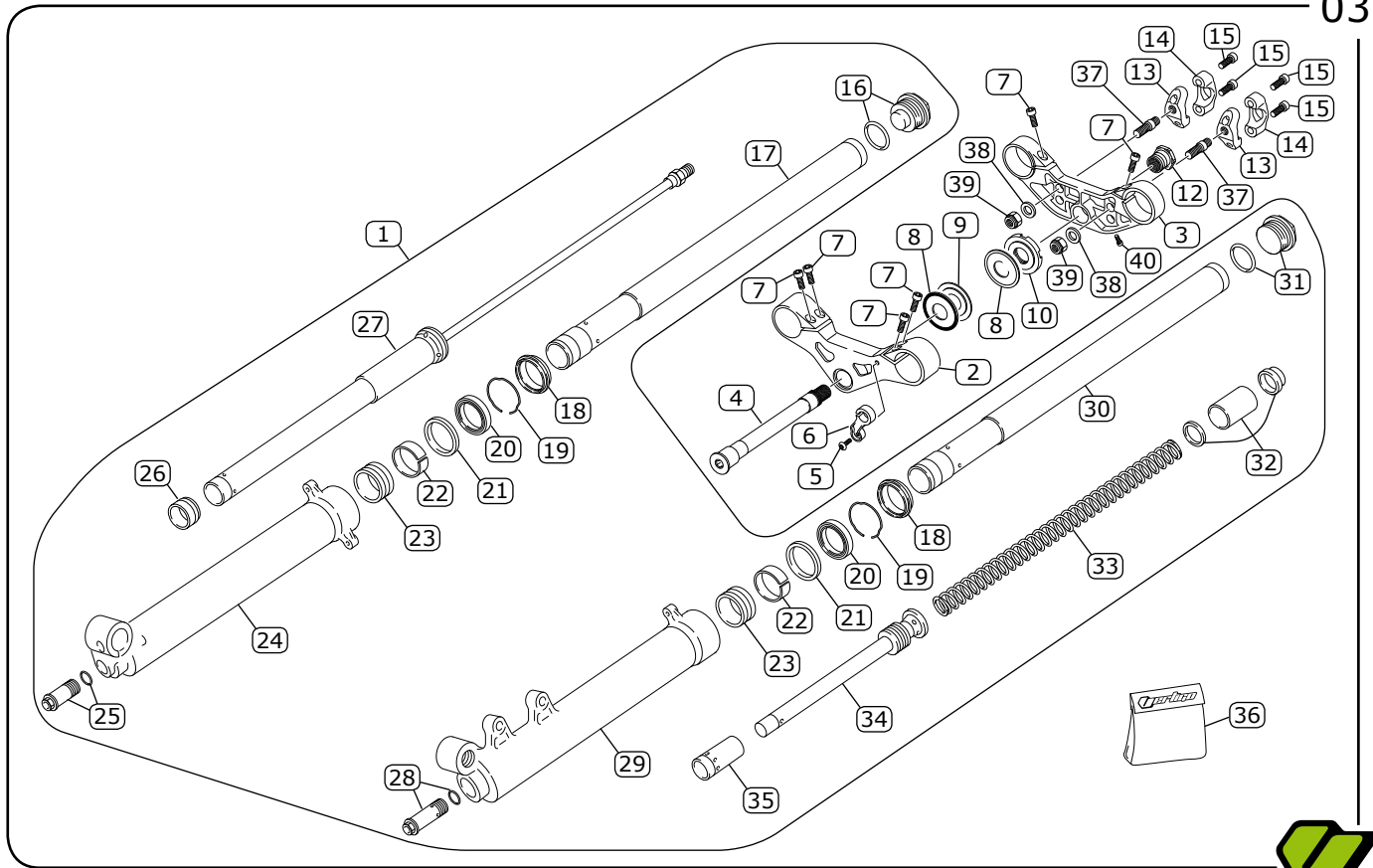


POS.	COD.	DESCRIPCIÓN	DESCRIPTION
31	V-0978	ARANDELA ALUMINIO ESTRIBERA	FOOTREST ALUMINIUM WASHER
32	V-0814	MUELLE ESTRIBERA DERECHA	RIGHT FOOTREST SPRING
33	V-0815	MUELLES ESTRIBERA IZQUIERDA	LEFT FOOTREST SPRING
34	V-0303	MANDO GAS	THROTTLE
35	V-0653	TUERCA RAPIDA TRT-M5-1	FAST NUT TRT-M5-1
36	V-0572	BASE CIERRE 1/4 VUELTA	1/4 TURN BASE NUT
37	V-0573	TOPE DIRECCIÓN	STEERING STOP
38	V-0396	CABLE GAS	THROTTLE WIRE
39	V-0455	TORNILLO M10X16 DIN 912 10.9	SCREW M10X16 DIN 912 10.9
40	V-0433	TORNILLO M5X16 ISO7380 8.8	SCREW M5X16 ISO7380 8.8
41	V-0387	MANILLAR WORLD TEAM TRIAL	WORLD TEAM TRIAL HANDLEBAR

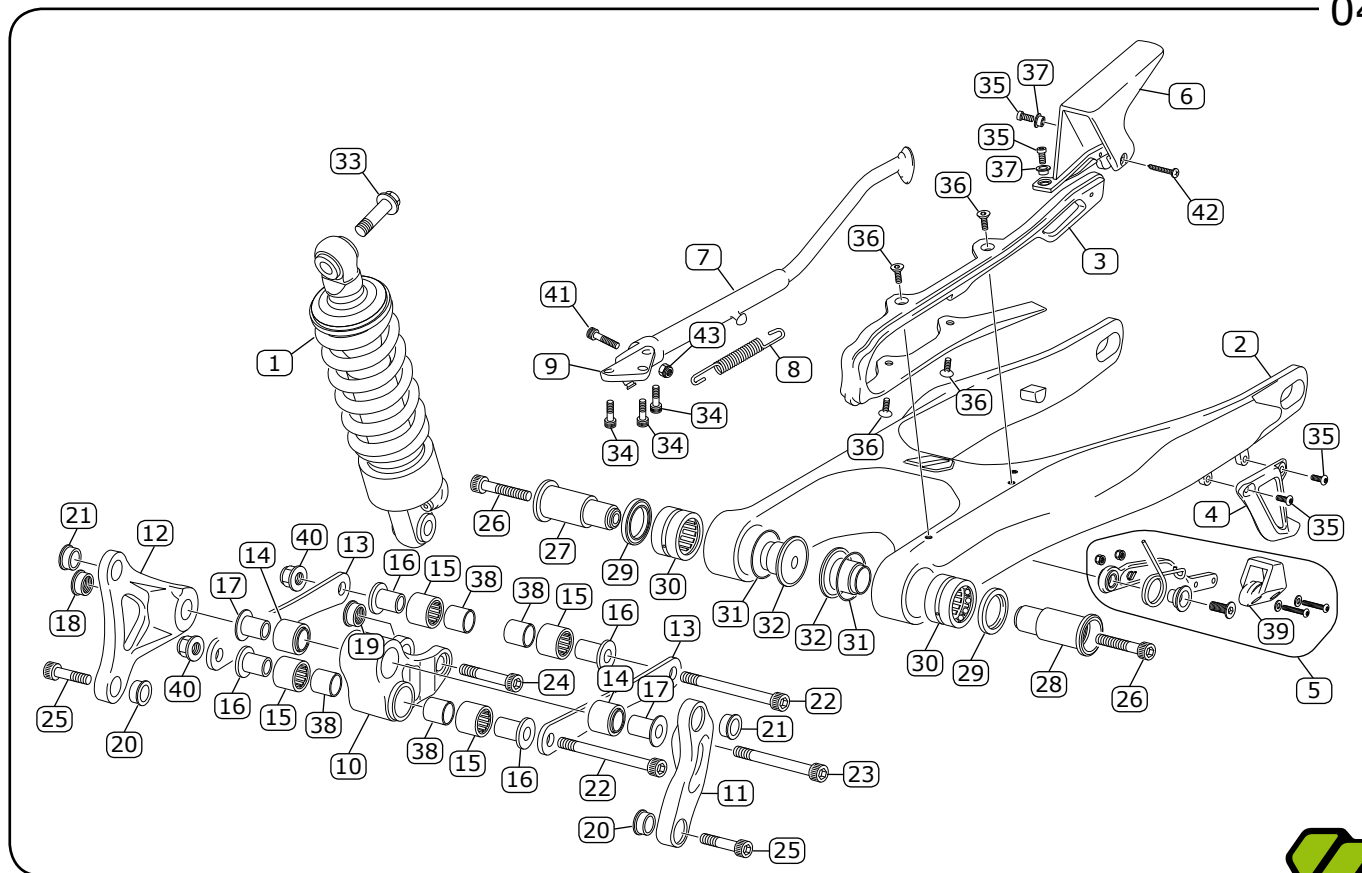




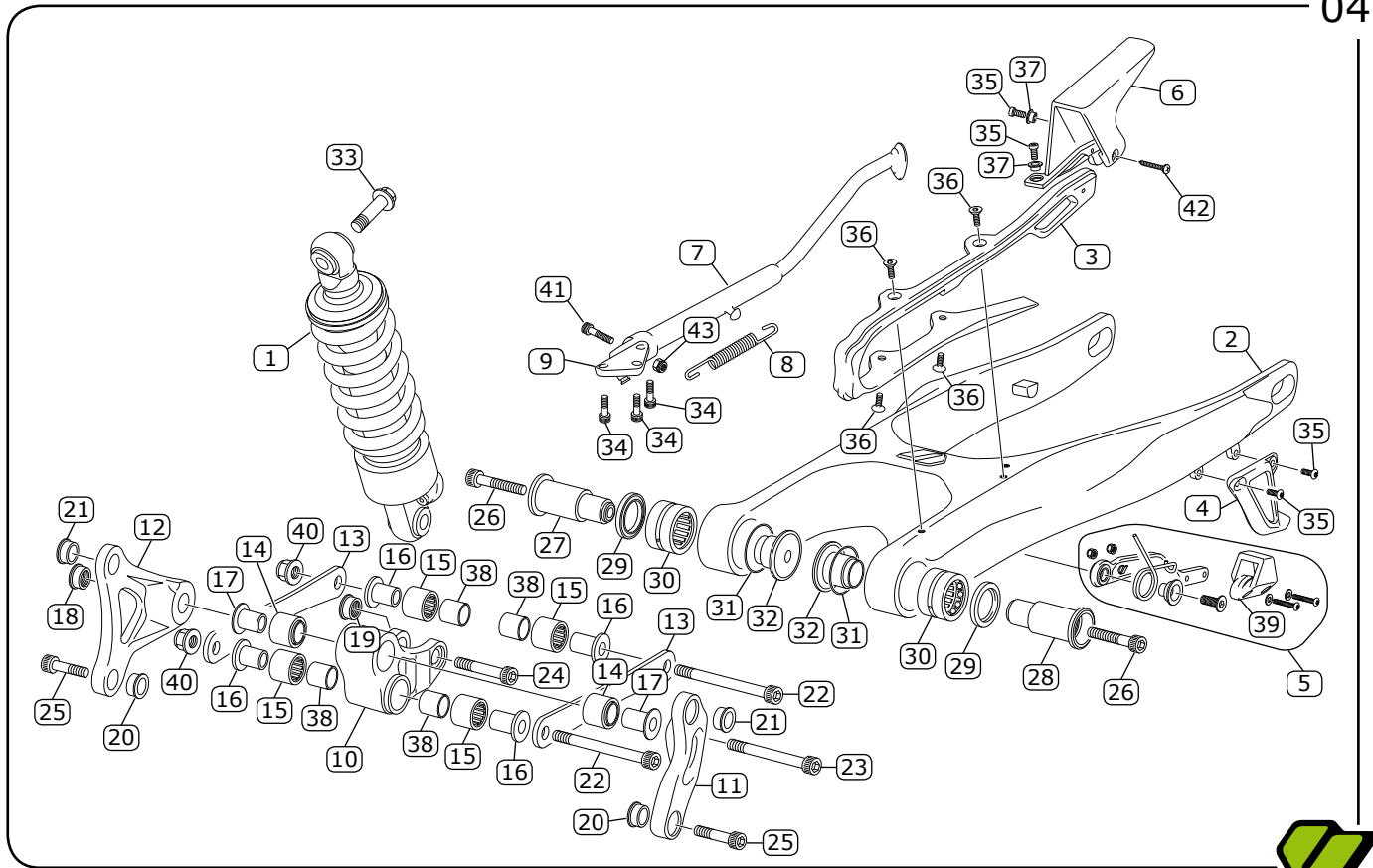
POS.	COD.	DESCRIPCIÓN	DESCRIPTION
1	V-0271	CTO. HORQUILLA SUSPENSION DEL.	FRONT FORK SET
2	V-0275	PLATINA INFERIOR 45/0	LOWER CLAMP 45/0
3	V-0274	PLATINA SUPERIOR 45/0	UPPER CLAMP 45/0
4	V-0516	EJE DIRECCIÓN	STEERING AXLE
5	V-0444	TORNILLO M6 X 10 MM	SCREW M 6 X 10 MM
6	V-0519	GUIA LATIGUILLO FRENO DEL.	BRAKE HOSE GUIDE
7	V-0447	TORNILLO M6 X 20 MM	SCREW M6 X 20 MM
8	V-0541	ARANDELA PROTECCIÓN DIRECCIÓN	STEERING PROTECTOR WASHER
9	V-0542	ARANDELA DIRECCIÓN	STEERING WASHER
10	V-0518	TUERCA DIRECCIÓN INF.	LOWER STEERING NUT
11	V-0424	TORNILLO M10 X 20 MM	SCREW M10 X 20 MM
12	V-0517	TUERCA DIRECCIÓN SUP.	UPPER STEERING NUT
13	V-0515	BRIDA MANILLAR INF.	LOWER HANDLEBAR CLAMP
14	V-0514	BRIDA MANILLAR SUP.	UPPER HANDLEBAR CLAMP
15	V-0461	TORNILLO M8 X 25 MM	SCREW M8 X 25 MM
16	V-0980	TAPÓN HORQUILLA DER.	RIGHT FORK CAP
17	V-0982	BARRA HORQUILLA DERECHA	RIGHT STANCHION TUBE
18	V-0696	GUARDAPOLVO SUSPENSIÓN DEL.	FRONT FORK DUST SEAL
19	V-0990	ANILLO RETENCIÓN	RING STOPPER
20	V-0695	RETÉN SUSPENSIÓN DEL.	FRONT FORK OIL SEAL
21	V-0991	ANILLO RETENCIÓN RETÉN	RING STOP BUSHING OIL SEAL
22	V-0992	COJINETE DE FRICCIÓN 39X43X15	BUSH 39X43X15
23	V-0993	COJINETE DE FRICCIÓN 38X40X20	BUSH 38X40X20
24	V-0994	BOTELLA DERECHA	RIGHT LEG
25	V-0995	TORNILLO DE BLOQUEO HIDRÁULICO + AR	LOCK SCREW HYDRAULIC PUMP + WASHER
26	V-0996	CONO TOPE DERECHO	CONE LIMIT RIGHT
27	V-0997	CARTUCHO	CARTRIDGE
28	V-0989	TORNILLO REGULACIÓN AGUJA + AR	NEEDLE REGULATION SCREW + WASHER
29	V-0988	BOTELLA IZQUIERDA	LEFT LEG
30	V-0983	BARRA HORQUILLA IZQUIERDA	LEFT STANCHION TUBE



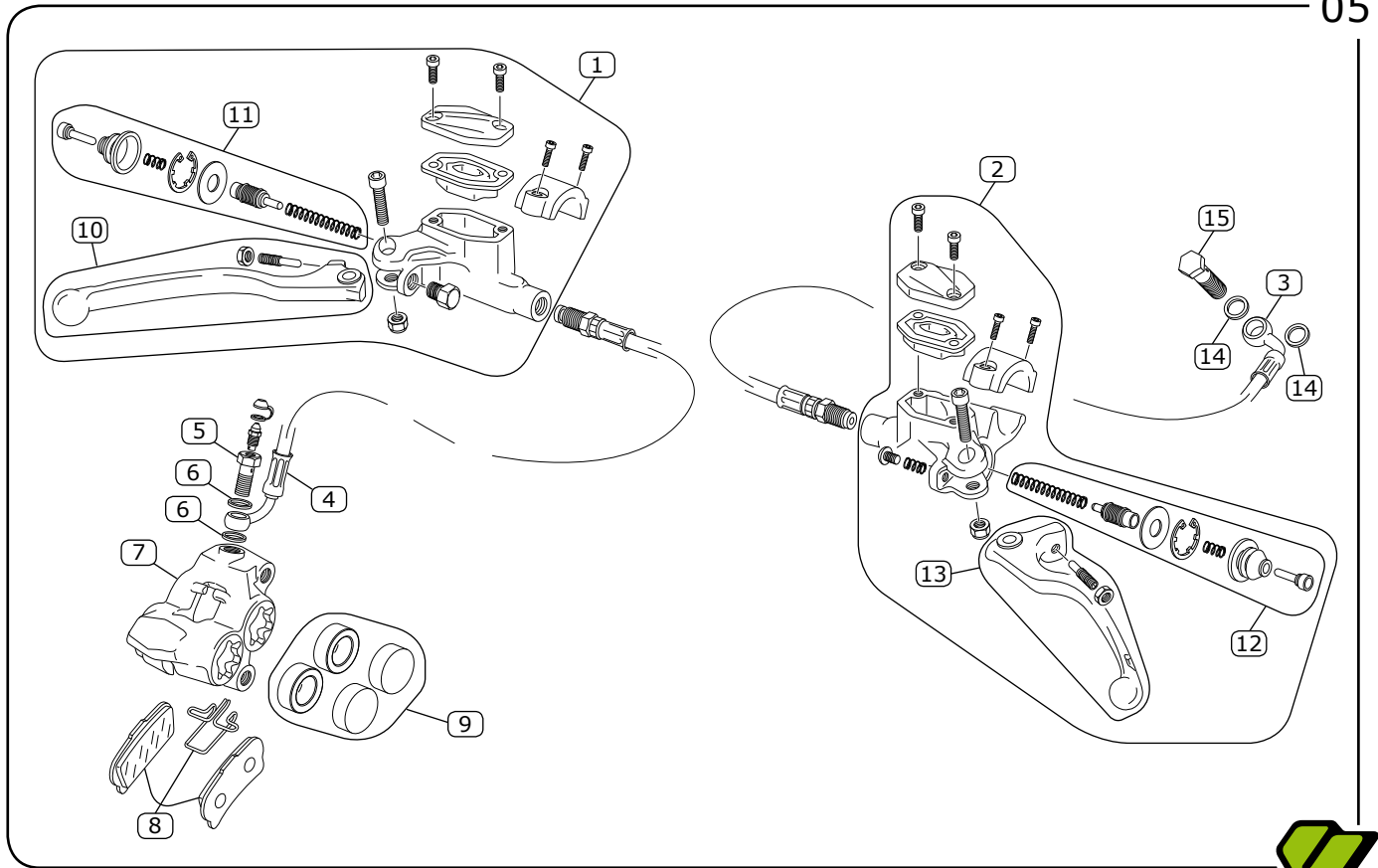
POS.	COD.	DESCRIPCIÓN	DESCRIPTION
31	V-0981	TAPÓN HORQUILLA IZQUIERDA	LEFT FORK CAP
32	V-0984	ESPACIADORES MUELLE	SPACERS SPRING
33	V-0985	MUELLE	SPRING
34	V-0986	BOMBA MECÁNICA	MECHANICAL PUMP
35	V-0987	CONO TOPE IZQUIERDO	CONE LIMIT LEFT
36	V-0998	KIT JUNTAS TAPONES HORQUILLA	FORK CAP WASHERS KIT
37	V-1030	ESPÁRRAGO ESPECIAL M10 8.8	M10 8.8 STUD
38	V-1037	ARANDELA DIN 125 M10	M10 DIN 125 WASHER
39	V-1029	TUERCA M10 AUTOBLOCANTE	M10 AUTOLOCK NUT
40	V-0643	TORNILLO M5X6 DIN 912 8.8	SCREW M5X6 DIN 912 8.8



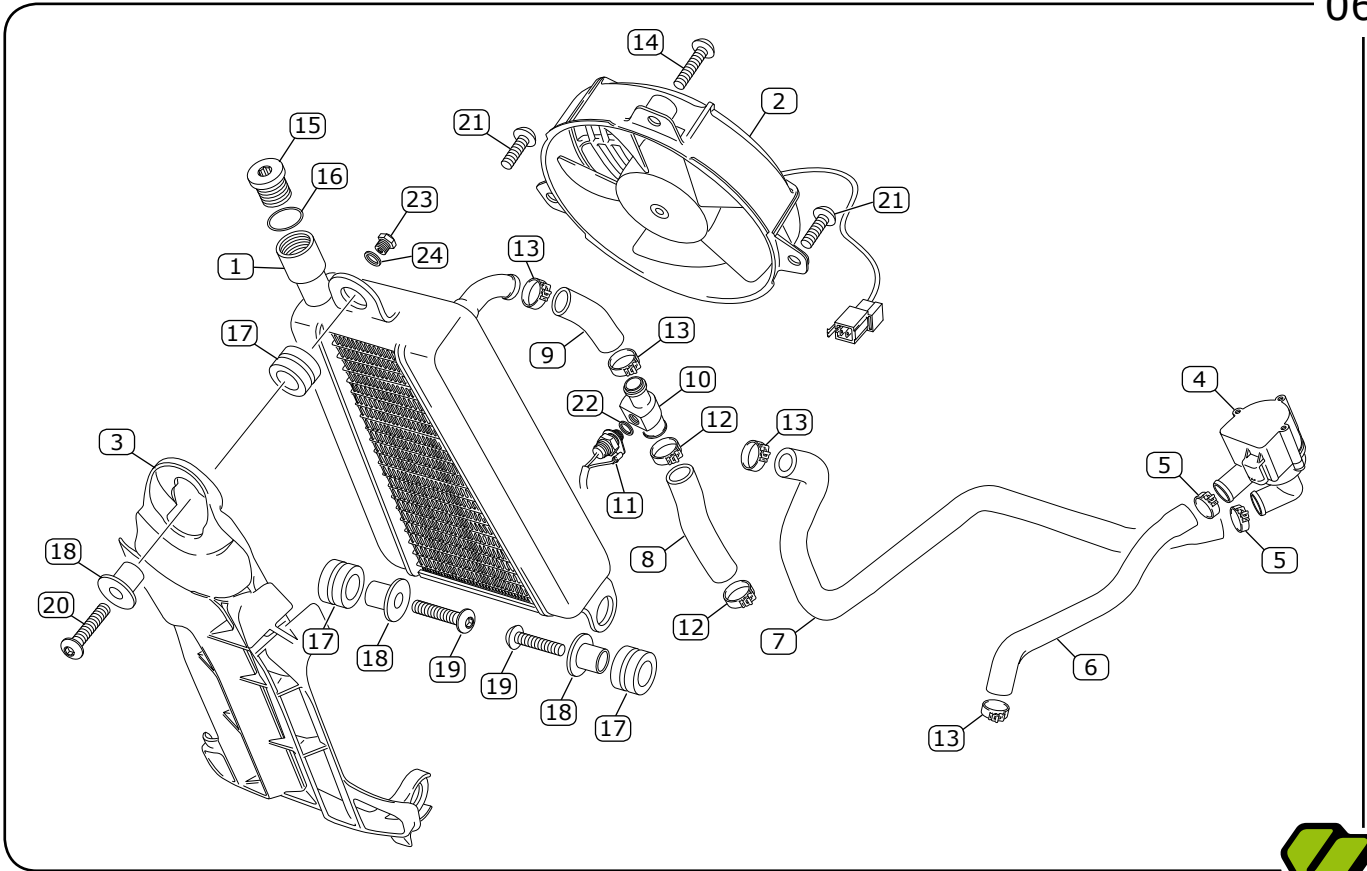
POS.	COD.	DESCRIPCIÓN	DESCRIPTION
1	V-0654	AMORTIGUADOR REIGER SINGLE COMPR.	REAR SHOCK ABSORBER REIGER SINGLE COMPR.
2	V-0270	BASCULANTE	SWINGARM
3	V-0521	PATÍN CADENA	GUIDE CHAIN
4	V-0508	PROTECTOR CORONA	SPROCKET PROTECTOR
5	V-0318	CONJUNTO TENSOR CADENA	CHAIN TENSIONER SET
6	V-0522	CUBRECADENA	CHAIN COVER
7	V-0400	CABALLETE	LATERAL STAND
8	V-0401	MUELLE CABALLETE	STAND SPRING
9	V-0423	SOPORTE CABALLETE	SUPPORT STAND
10	V-0321	TRAPECIO SUSPENSIÓN	TIE ROD
11	V-0397	TRAPECIO SUSPENSIÓN IZQUIERDO	LEFT LINKAGE SUPPORT
12	V-0398	TRAPECIO SUSPENSIÓN DERECHO	RIGHT LINKAGE SUPPORT
13	V-0399	TIRANTE SUSPENSIÓN	TIE LINKAGE
14	V-0575	CASQUILLO AGUJAS HK-1616 2RS	NEEDLE CAP HK-1616 2RS
15	V-0282	CASQUILLO AGUJAS HK-1620 2RS	NEEDLE CAP HK-1620 2RS
16	V-0324	CASQUILLO TRAPECIO-TIRANTES	TIE ROD-TIE LINKAGE SLEEVE
17	V-0323	CASQUILLO TRAPECIO-TRIÁNGULOS	TIE ROD-LINKAGE SLEEVE
18	V-0577	CASQUILLO ROSCADO TRAPECIO M10	TIE ROD M10 THREADED SLEEVE
19	V-0322	CASQUILLO ROSCADO TRAPECIO-AMORT	TIE ROD THREADED SLEEVE TIE ROD-SHOCK
20	V-0661	CASQUILLO TRAPECIO INFERIOR	LOWER TIE ROD SLEEVE
21	V-0576	CASQUILLO TRAPECIO SUPERIOR	UPPER TIE ROD SLEEVE
22	V-0431	TORNILLO ESPECIAL M10X80 DIN 912 12.9	SCREW M10x80 DIN 912 12.9
23	V-0255	TORNILLO ESPECIAL M10X70 DIN 912 12.9	SCREW M10x35 DIN 912 12.9
24	V-0256	TORNILLO ESPECIAL M10X40 DIN 7984 12.9	SCREW M10x40 DIN 7984
25	V-0254	TORNILLO M10 X 33 MM	TORNILLO ESPECIAL M10x33 DIN 912 12.9
26	V-1017	TORNILLO M10X62 DIN 912 12.9	SCREW M10x62 DIN 912 12.9
27	V-0735	SEMIEJE BASCULANTE DERECHO ROJO	RIGHT SIDE SWINGARM SEMIAXIS RED
28	V-0736	SEMIEJE BASCULANTE IZQUIERDO ROJO	LEFT SIDE SWINGARM SEMIAXIS RED
29	V-0338	RETEN 25X35X5 EJE BASCULANTE	SWINGARM LIP SEAL 25x35x5
30	V-0281	RODAMIENTO AGUJAS COMBINADO NKIA5904	COMBINED NEEDLE BEARING NKIA5904



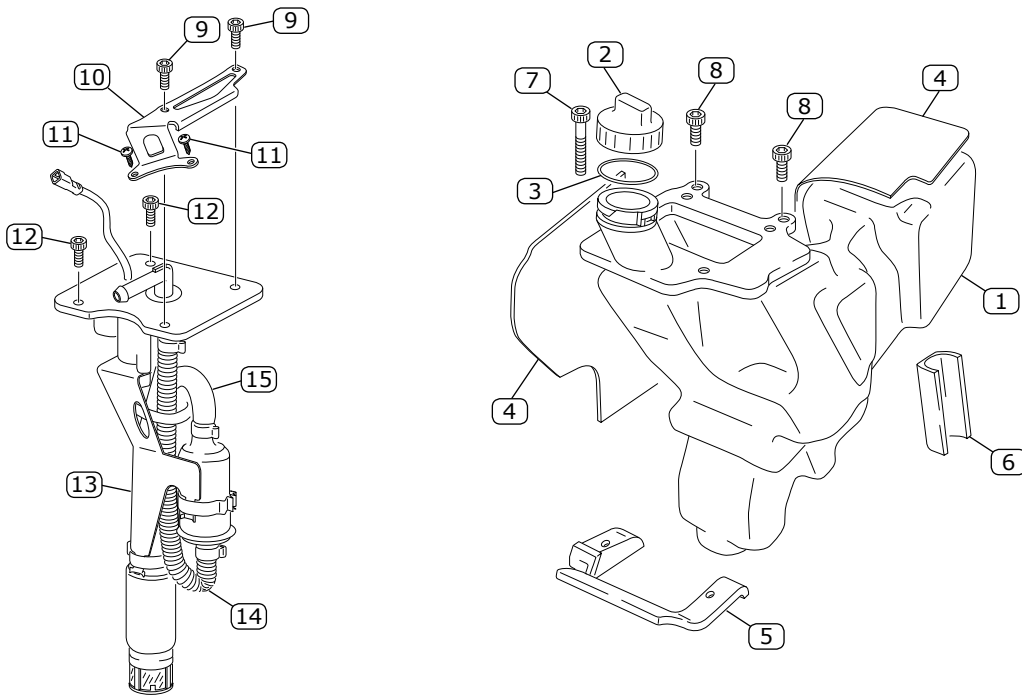
POS.	COD.	DESCRIPCIÓN	DESCRIPTION
31	V-0629	JUNTA TÓRICA 31X2 EJE BASCULANTE	O-RING 31x2 SWINGARM SHAFT
32	V-0567	PROTECTOR RODAMIENTO BASCULANTE	SWINGARM BEARING PROTECTOR
33	V-0467	TORNILLO ESPECIAL M10X40 DIN 6921 10.9	SCREW M10x40 DIN 6921 10.9
34	V-0908	TORNILLO M8X20 DIN 6912	SCREW M8x20 DIN 6912
35	V-0556	TORNILLO M5X10 ISO7380 10.9	SCREW M5x10 ISO7380 10.9
36	V-0457	TORNILLO M5X10 DIN7991 10.9	SCREW M5x10 DIN7991 10.9
37	V-0568	CASQUILLO PROTECTOR CADENA	CHAIN PROTECTOR SLEEVE
38	V-0343	ANILLO INTERIOR IR 121622	INNER RING IR 121512
39	V-0977	GOMA TENSOR CADENA	CHAIN GUIDE RUBBER
40	V-0565	TUERCA M10 DIN 6923	M10 NUT DIN 6923
41	V-0459	TORNILLO ESPECIAL M8X28 DIN 6912 10.9	SCREW M8x28 DIN 6912 10.9
42	V-0683	TORNILLO ROSCA CHAPA M4.2 X 32 MM	SCREW M4.2 X 32 mm
43	V-0470	TUERCA M8 DIN 985 AUTOBLOCANTE	NUT M8 DIN 985 AUTO LOCK



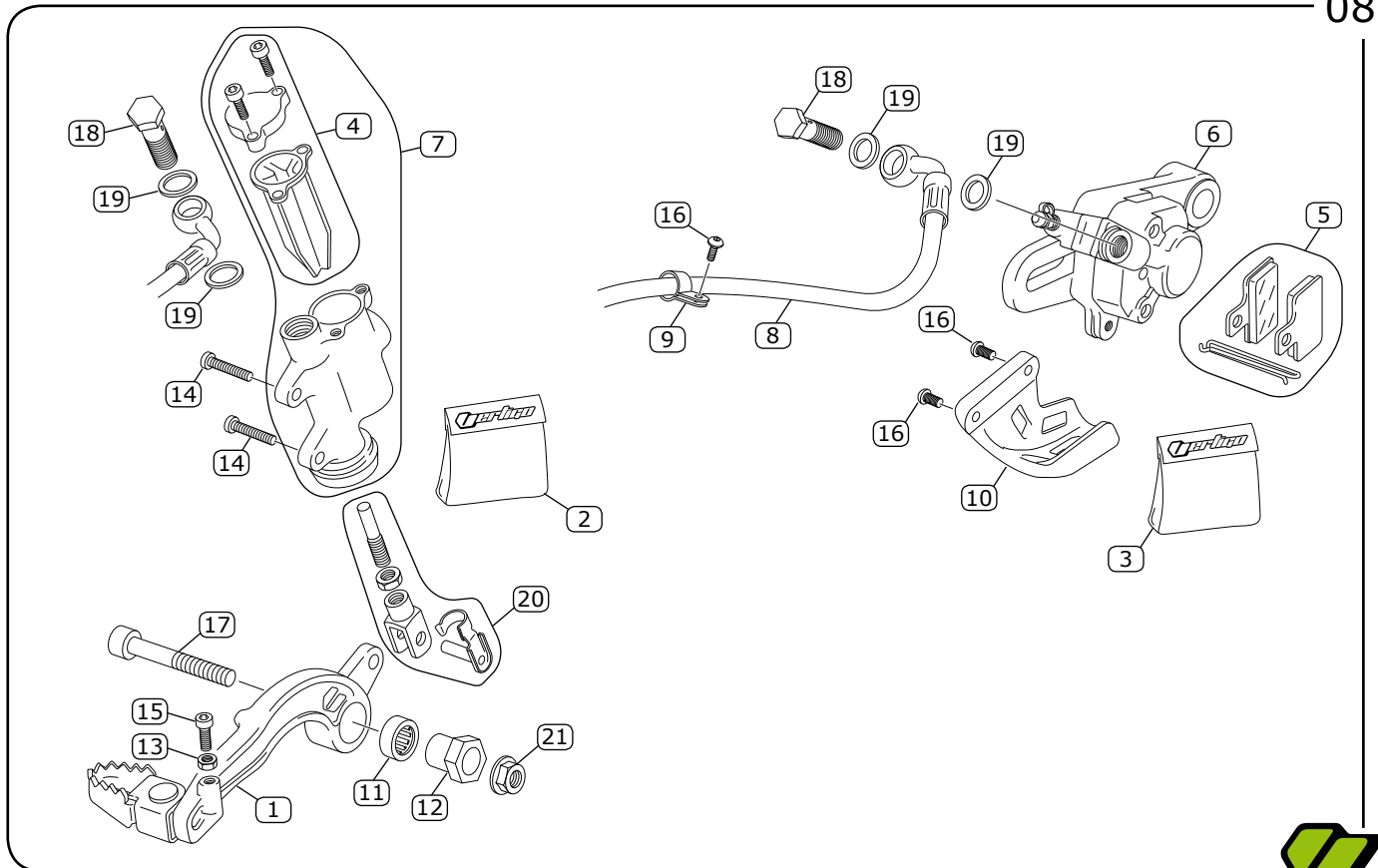
POS.	COD.	DESCRIPCIÓN	DESCRIPTION
1	V-0365	CTO. BOMBA FRENO DELANTERA	FRONT BRAKE PUMP SET
2	V-0354	CTO. BOMBA EMBRAGUE	CLUTCH PUMP SET
3	V-0355	LATIGUILLO EMBRAGUE	CLUTCH HOSE
4	V-0364	LATIGUILLO FRENO DELANTERO	FRONT BRAKE HOSE
5	V-0723	RACOR FRENO DELANTERO	RACORD FRONT BRAKE
6	V-0724	ARANDELA BANJO	BANJO WASHER
7	V-0363	PINZA FRENO DELANTERA	FRONT BRAKE CALIPER
8	V-0362	PASTILLAS FRENO DELANTERAS	FRONT BRAKE PADS
9	V-0968	KIT REPARACIÓN PISTÓN PINZA FRENO DELANTERA	FRONT CALIPER PISTON REPAIR KIT
10	V-0366	MANETA FRENO DELANTERA	FRONT BRAKE LEVER
11	V-0367	KIT REPARACIÓN BOMBA FRENO DELANTERA	FRONT BRAKE PUMP REPAIR KIT
12	V-0370	KIT REPARACIÓN BOMBA EMBRAGUE	CLUTCH PUMP REPAIR KIT
13	V-0722	MANETA EMBRAGUE	CLUTCH LEVER
14	V-0611	ARANDELA ALU. RACORD EMBRAGUE	CLUTCH RACORD ALUMINIUM WASHER
15	V-0610	RACOR M10 EMBRAGUE	RACORD M10 CLUTCH



POS.	COD.	DESCRIPCIÓN	DESCRIPTION
1	V-0926	RADIADOR	RADIATOR
2	V-0360	VENTILADOR	FAN
3	V-0507	REJILLA RADIADOR	RADIATOR GRILL
4	V-0402	BOMBA DE AGUA	WATER PUMP
5	V-1008	ABRAZADERA COBRA 25/8	COBRA CLAMP 25/8
6	V-0923	TUBO AGUA (BOMBA - CARTER)	WATER HOSE (PUMP - CRANKCASE)
7	V-0922	TUBO AGUA (RADIADOR - BOMBA)	WATER HOSE (RADIATOR - PUMP)
8	V-0546	TUBO AGUA INF. (SENSOR - CULATA)	LOWER WATER HOSE (SENSOR - HEAD)
9	V-0545	TUBO AGUA SUP. (RADIADOR - SENSOR)	UPPER WATER HOSE (RADIATOR - SENSOR)
10	V-0525	RACORD SENSOR TEMPERATURA AGUA	WATER TEMP. SENSOR SUPPORT
11	V-0526	SENSOR TEMP. AGUA	WATER TEMP. SENSOR
12	V-0588	ABRAZADERA COBRA 21/8	COBRA CLAMP 21/8
13	V-0587	ABRAZADERA COBRA 18/8	COBRA CLAMP 18/8
14	V-0560	TORNILLO M6X20 ISO 7380 8.8	SCREW M6X20 ISO 7380 8.8
15	V-0974	TAPÓN RADIADOR	RADIATOR CAP
16	V-0979	JUNTA TAPON RADIADOR	RADIATOR CAP O-RING
17	V-1005	SILENTBLOCK RADIADOR	RADIATOR SILENTBLOCK
18	V-1006	CASQUILLO SILENTBLOCK	SILENTBLOCK CAP
19	V-0447	TORNILLO M6X20 DIN 912 8.8	SCREW M6X20 DIN 912 8.8
20	V-1054	TORNILLO M6X40 DIN 912 10.9	SCREW M6X40 DIN 912 10.9
21	V-0444	TORNILLO M6X10 ISO 7380 8.8	SCREW M6X10 ISO 7380 8.8
22	V-0611	ARANDELA ALU 10X14X1.5	ALUMINIUM WASHER 10X14X1.5
23	V-0796	VÁLVULA RADIADOR	RADIATOR VALVE
24	V-1063	ARANDELA ALUMINIO INT 8 X EXT 12 X 1.5	ALUMINIUM WASHER 8X12X1.5

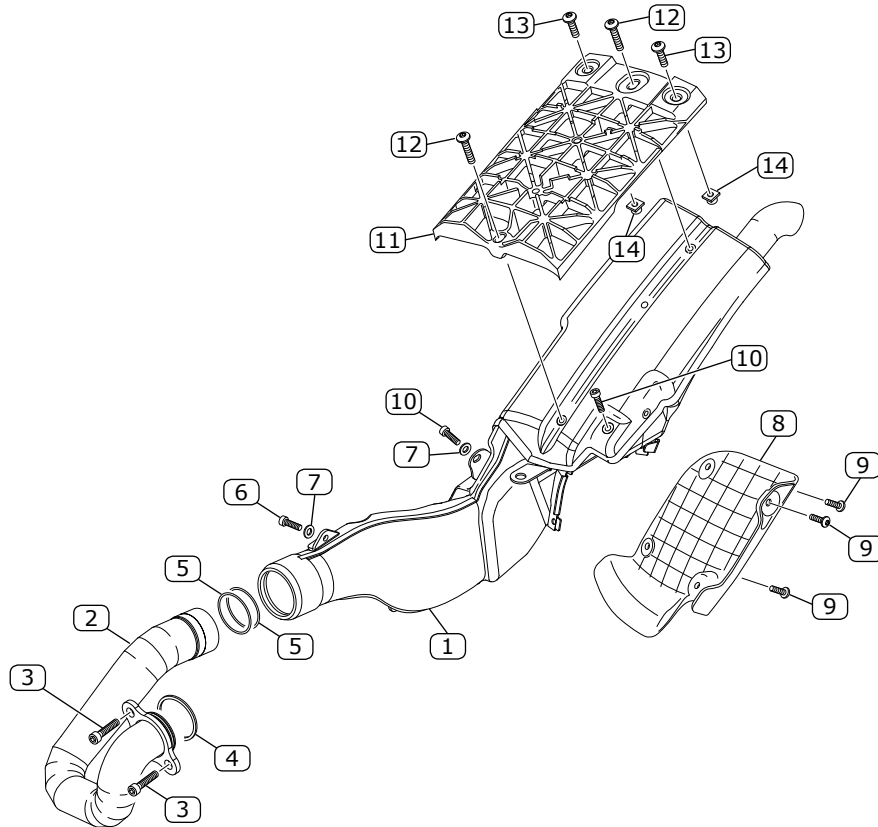


POS.	COD.	DESCRIPCIÓN	DESCRIPTION
1	V-1062	DEPÓSITO GASOLINA TRANSPARENTE	TRANSPARENT FUEL TANK
2	V-0535	TAPÓN DEPÓSITO GASOLINA	FUEL TANK CAP
3	V-0799	JUNTA TÓRICA TAPÓN DEPÓSITO	FUEL TANK CAP O-RING
4	V-0833	CTO. ADHESIVO PROTECTOR TÉRMICO	TERMIC STICKER KIT
5	V-0530	GOMA INFERIOR SOPORTE DEPOSITO	LOWER FUEL TANK RUBBER SUPPORT
6	V-0531	GOMA LATERAL DEPÓSITO GASOLINA	FUEL TANK RUBBER SUPPORT
7	V-0555	TORNILLO M5X30 DIN 912	SCREW M5X30 DIN 912
8	V-0554	TORNILLO M5X10 DIN 912 8.8	SCREW M5X10 DIN 912 8.8
9	V-0433	TORNILLO M5X16 ISO7380 8.8	SCREW M5X16 ISO7380 8.8
10	V-0913	SOPORTE BOMBA DE AGUA	WATER PUMP SUPPORT
11	V-1026	TORNILLO DE ROSCA 3.9 X 13	SCREW 3.9 X 13
12	V-0556	TORNILLO M5X10 ISO7380 10.9	SCREW M5X10 ISO7380 10.9
13	V-1192	CONJUNTO BOMBA GASOLINA 2017	PETROL PUMP SET 2017
14	V-1060	TUBO GASOLINA DE BOMBA A FILTRO	PETROL HOSE PUMP-FILTER
15	V-1061	TUBO GASOLINA FILTRO A VÁLVULA DE PRESIÓN	PETROL HOSE FILTER-VALVE

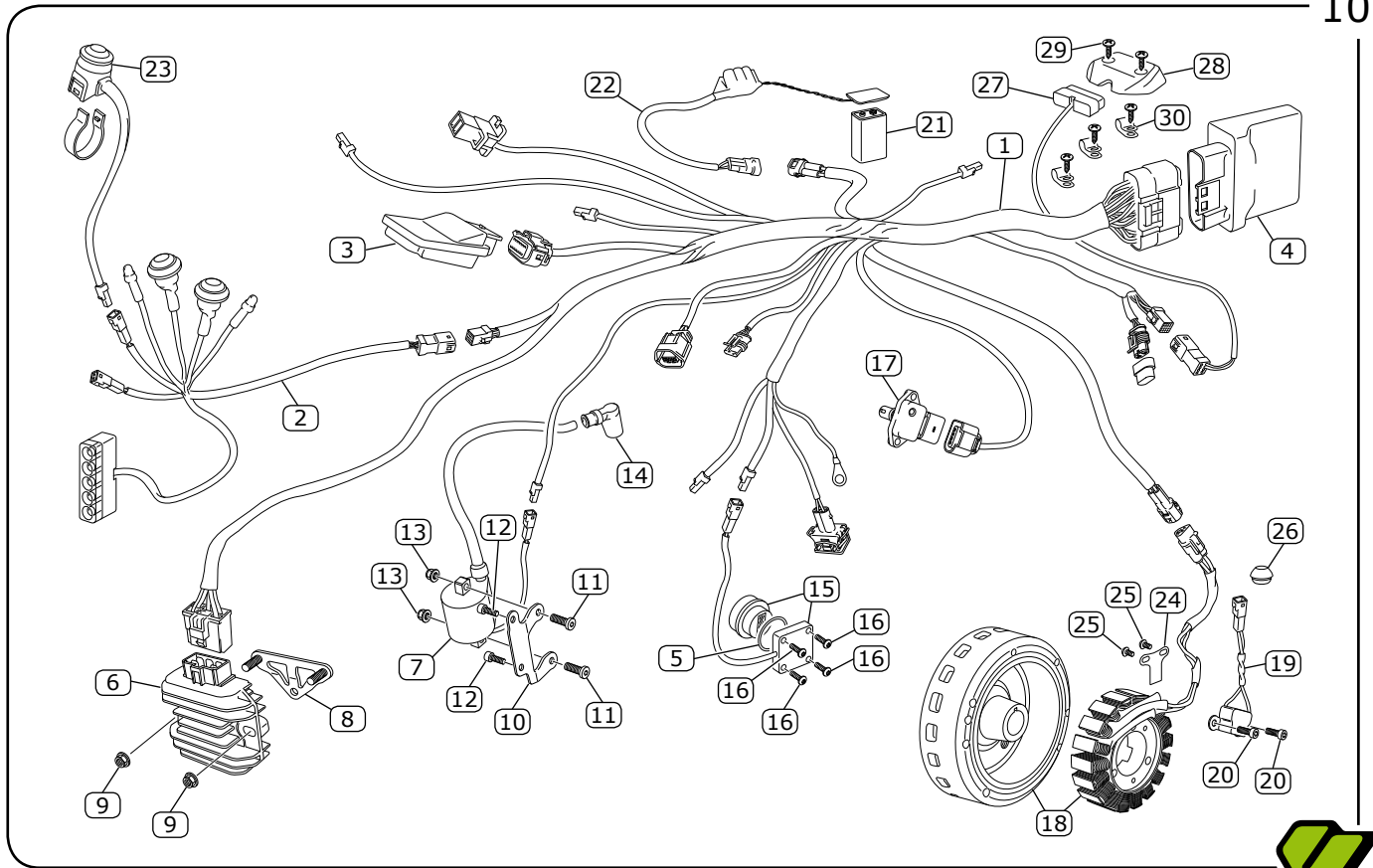


POS.	COD.	DESCRIPCIÓN	DESCRIPTION
1	V-0294	PEDAL FRENO	BRAKE PEDAL
2	V-0369	KIT REPARACIÓN BOMBA FRENO TRASERO	REAR BRAKE PUMP REPAIR KIT
3	V-0963	KIT REPARACIÓN PINZA FRENO TRASERA	REAR BRAKE CALIPER REPAIR KIT
4	V-0964	KIT TAPA BOMBA FRENO TRASERO	REAR BRAKE PUMP COVER KIT
5	V-0368	PASTILLAS DE FRENO TRASERAS	REAR BRAKE PADS
6	V-0352	PINZA FRENO TRASERO	REAR BRAKE CALIPER
7	V-0351	BOMBA FRENO TRASERO	REAR BRAKE PUMP
8	0-0353	LATIGUILLO FRENO TRASERO	REAR BRAKE HOSE
9	V-0590	GRAPA SUJECIÓN LATIGUILLO	HOSE FASTENER CLIP
10	V-0513	PROTECTOR DISCO FRENO TRASERO	REAR BRAKE DISC PROTECTOR
11	V-0405	RODAMIENTO PEDAL FRENO	BRAKE PEDAL BEARING
12	V-0404	CASQUILLO HEXAGONAL	HEXAGONAL CAP
13	V-0685	TUERCA M5 DIN 934	NUT M5 DIN 934
14	V-0561	TORNILLO M6X25 DIN 7984 8.8	SCREW M6X25 DIN 7984 8.8
15	V-0448	TORNILLO M5X20 DIN 912 8.8	SCREW M5X20 DIN 912 8.8
16	V-0556	TORNILLO M5X10 ISO7380 10.9	SCREW M5X10 ISO7380 10.9
17	V-0466	TORNILLO M8X50 DIN6912 10.9	SCREW M8X50 DIN6912 10.9
18	V-1010	RACOR FRENO TRASERO	REAR BRAKE RACOR
19	V-1009	ARANDELA BANJO FRENO TRASERO	REAR BRAKE BANJO WASHER
20	V-1011	CTO. EMPUJADOR BOMBA FRENO	REAR BRAKE PUMP PUSHER SET
21	V-0471	TUERCA M8 DIN 6923	NUT M8 DIN 6923

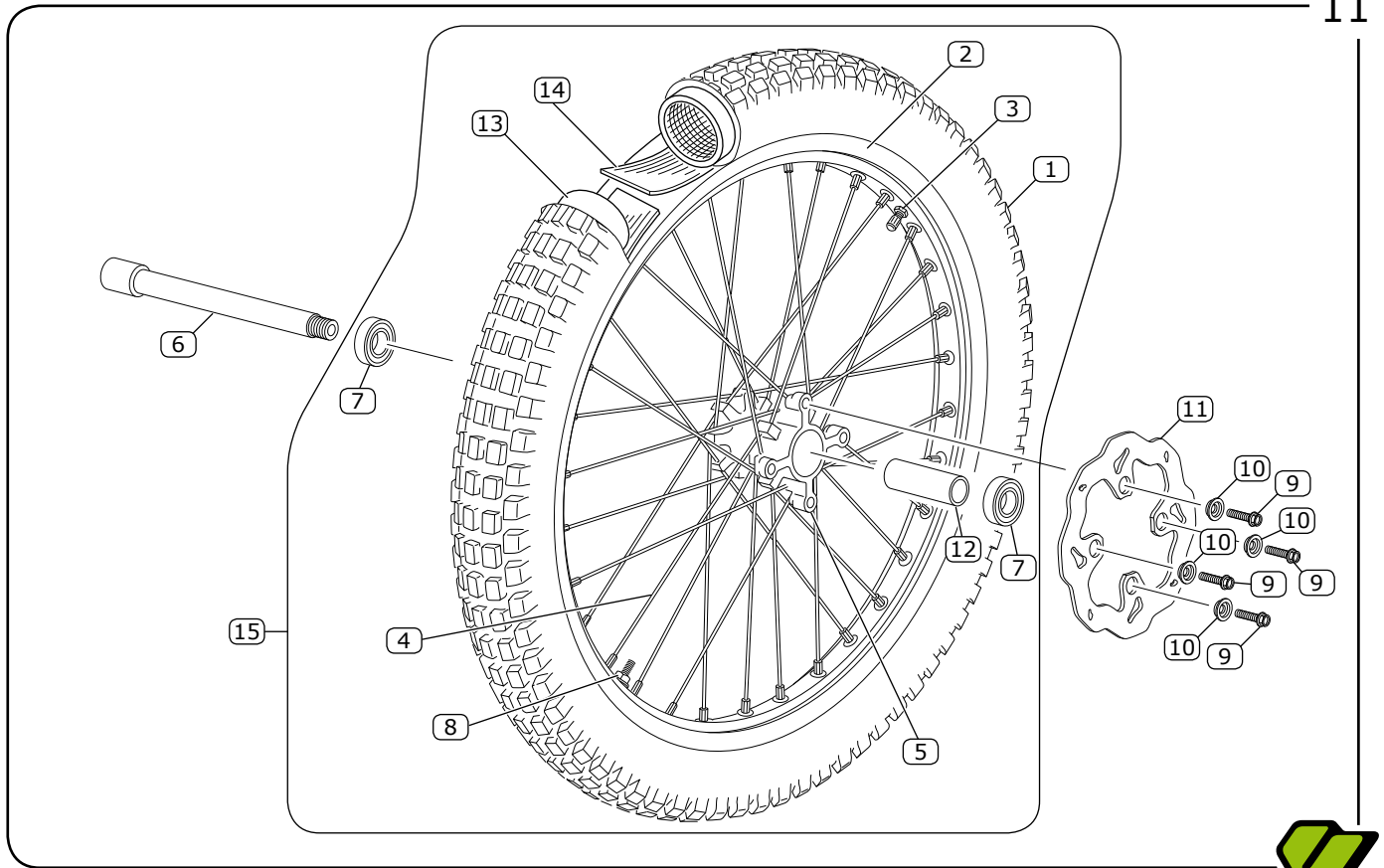




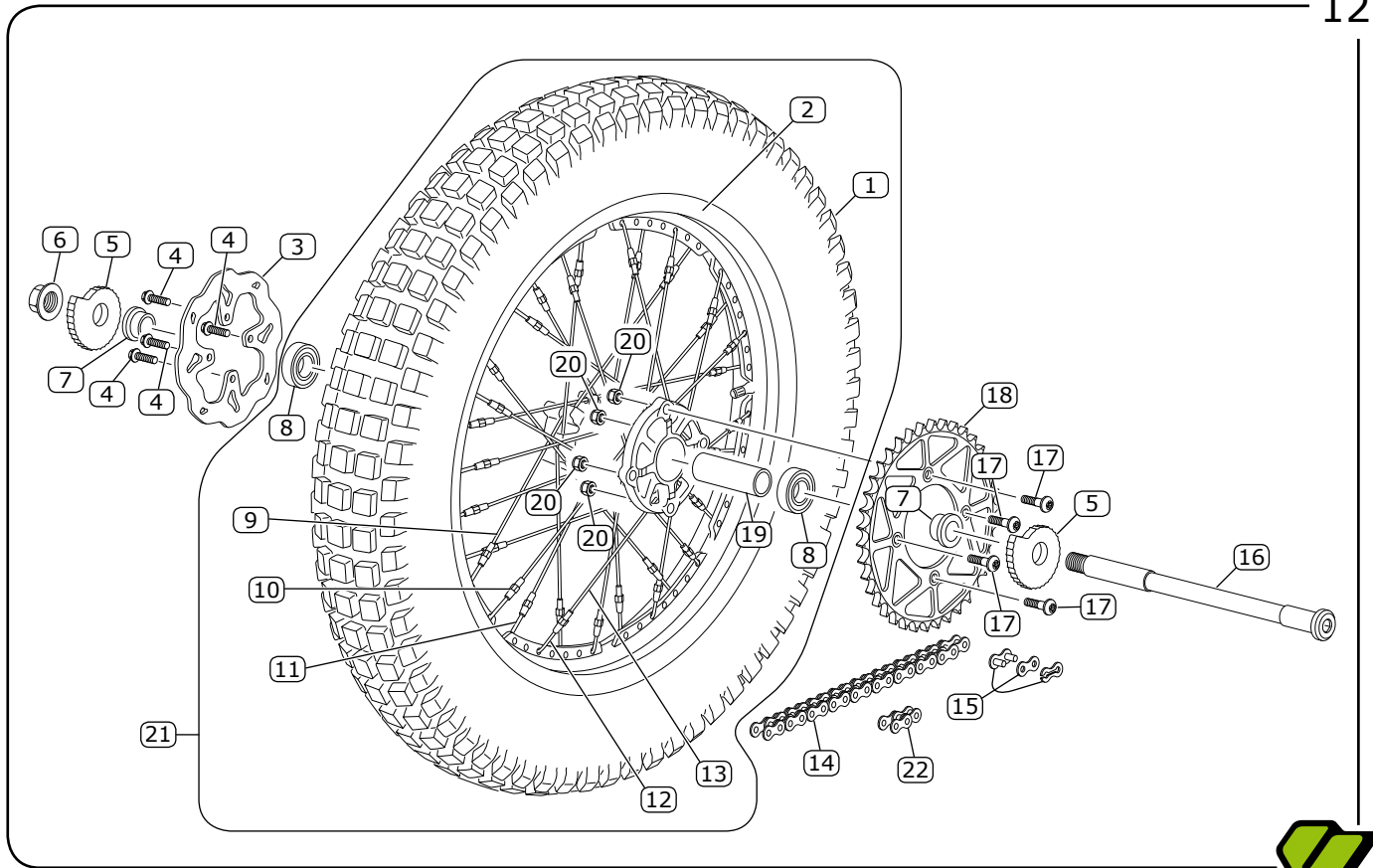
POS.	COD.	DESCRIPCIÓN	DESCRIPTION
1	V-1075	SILENCIADOR	SILENCER
2	V-0389	ESCAPE	EXHAUST
3	V-0447	TORNILLO M6X20 DIN 912 8.8	SCREW M6X20 DIN 912 8.8
4	V-0386	JUNTA TÓRICA SILENCIADOR	MUFFLER O-RING
5	V-0512	JUNTA ESCAPE 38X45.2X5.5	EXHAUST SEAL 38X45.2X5.5
6	V-0645	TORNILLO M6X16 DIN7984 8.8	SCREW M6X16 DIN7984 8.8
7	V-1189	ARANDELA DIN 125 M6	WASHER M6 DIN125
8	V-0550	TAPA POSTERIOR SILENCIOSO	MUFFLER REAR COVER
9	V-0557	TORNILLO M5X12 ISO 7830 8.8	SCREW M5X12 ISO 7830 8.8
10	V-0462	TORNILLO M6X16 DIN912 8.8	SCREW M6X16 DIN912 8.8
11	V-0583	PROTECTOR SILENCIOSO	MUFFLER PROTECTOR
12	V-0561	TORNILLO M6X25 DIN 912 8.8	SCREW M6X25 DIN 912 8.8
13	V-0813	TORNILLO M6X12 ISO 7380-1 8.8	SCREW M6X12 ISO 7380-1 8.8
14	V-0690	CASQUILLO GUARDABARROS TRASERO	REAR MUDGUARD SLEEVE



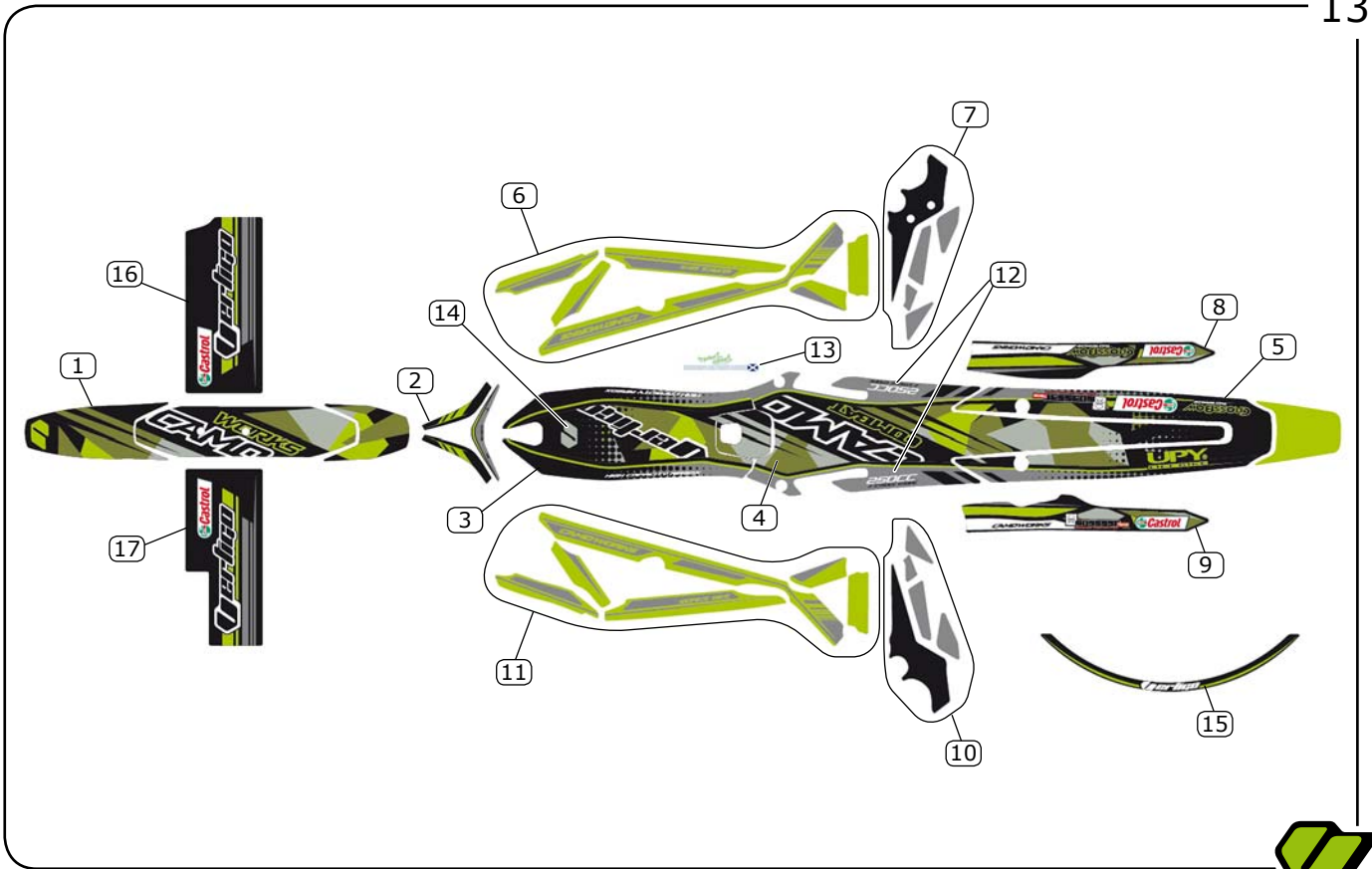
POS.	COD.	DESCRIPCIÓN	DESCRIPTION
1	V-0429	INSTALACIÓN ELÉCTRICA PRINCIPAL	MAIN ELECTRICAL HARNESS
2	V-0903	INSTALACIÓN ELÉCTRICA DELANTERA	FRONT ELECTRICAL HARNESS
3	V-0533	POWERBOX	POWERBOX
4	V-0975	ECU EVO	ECU EVO
5	V-0632	TORICA 20X2.5 SENSOR POSICION DESMO	GEARBOX SENSOR O-RING 20X2.5
6	V-0591	REGULADOR	REGULATOR
7	V-0300	BOBINA ENCENDIDO	IGNITION COIL
8	V-0794	SOPORTE REGULADOR	REGULATOR SUPPORT
9	V-0863	TUERCA DIN 985 M6	M6 NUT DIN 985
10	V-0660	SOPORTE BOBINA	IGNITION COIL SUPPORT
11	V-0645	TORNILLO M6X16 DIN7984 8.8	SCREW M6X16 DIN7984 8.8
12	V-0556	TORNILLO M5X10 ISO7380 10.9	SCREW M5X10 ISO7380 10.9
13	V-0836	TUERCA DIN 985 M6	M6 NUT DIN 985
14	V-0427	PIPA BUJÍA	SPARK PLUG PIPE
15	V-0511	SENSOR CAMBIO	GEARBOX SENSOR
16	V-0553	TORNILLO M4X12 ISO 7380 8.8	SCREW M4X12 ISO 7380 8.8
17	V-0635	SENSOR TEMP. Y PRESIÓN AIRE ADM.	PRESSURE AND TEMP. INTAKE SENSOR
18	V-0394	CTO. ROTOR/STATOR	ROTOR/STATOR SET
19	V-0395	PICK UP	PICK UP
20	V-0434	TORNILLO M5X10 DIN 7984 8.8	SCREW M5X10 DIN 7984 8.8
21	V-0419	BATERIA NIMH E-BLOCK 200MAH MAXE	BATTERY NIMH E-BLOCK 200MAH MAXE
22	V-1014	INSTALACIÓN BATERÍA	BATTERY HARNESS
23	V-0740	BOTON PARO CON BRIDA	STOP BUTTON WITH CLAMP
24	V-0637	CHAPA SOP.CABLES ALTERNADOR	STATOR CABLE SUPPORT
25	V-0440	TORNILLO M5X6 ISO 7380 8.8	SCREW M5X6 ISO 7380 8.8
26	V-0862	GOMA PASACABLES PICK UP	PICK UP RUBBER
27	V-0688	LED TRASERO CON INSTALACION	REAR LED LIGHT
28	V-1025	SOPORTE LED TRASERO	REAR LED LIGHT SUPPORT
29	V-1066	TORNILLO ROSCA CHAPA 2.9X6.5 DIN 7981	SCREW 2.9X6.5 DIN 7981
30	V-1174	GRAPA SUJECCION 6.3MM	CLAMP 6.3MM



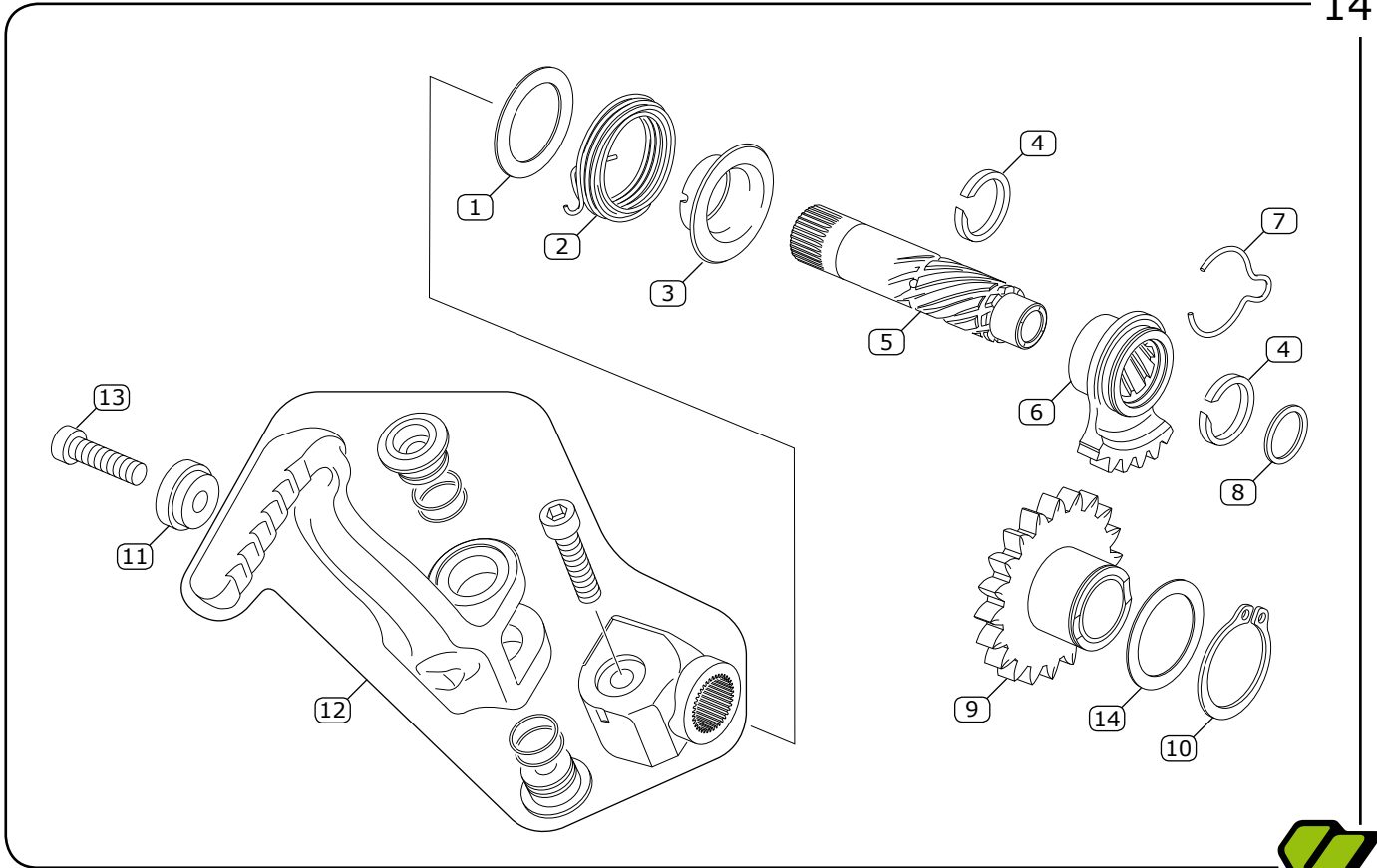
POS.	COD.	DESCRIPCIÓN	DESCRIPTION
1	V-0758	NEUMÁTICO DEL. MICHELIN TRIAL COMP. X11	FRONT TYRE MICHELIN TRIAL COMP. X11
2	V-0371	LLANTA DEL. 1.60 X 21	FRONT RIM 1.60 X 21
3	V-0385	VÁLVULA TUBELESS	TUBELESS VALVE
4	V-0372	RADIO DEL. M3.5 X 0.6 L255 MM	FRONT WHEEL SPOKE M3.5 X 0.6 L255 MM
5	V-0374	BUJE DELANTERO	FRONT HUB
6	V-0334	EJE RUEDA DELANTERO	FRONT WHEEL SHAFT
7	V-0510	RODAMIENTO BUJE 6004 2RS	BEARING HUB 6004 2 RS
8	V-0375	AGARRE CUBIERTA DELANTERA	FRONT WHEEL GRIP
9	V-0437	TORNILLO ESPECIAL M6X20 ESP. DISCO FRENO	SPECIAL SCREW M6X20 BRAKE DISC SPACER
10	V-0325	CASQUILLO DISCO FRENO FLOTANTE	FLOATING BRAKE DISC SLEEVE
11	V-0348	DISCO FRENO DELANTERO	FRONT BRAKE DISC
12	V-1003	CASQUILLO INTERIOR BUJE DEL.	FRONT HUB INNER SLEEVE
13	V-0278	CAMARA DELANTERA 21MD VALVE TR4	FRONT INNER TUBE 21MD VALVE TR4
14	V-0747	PROTECTOR CAMARA AIRE DEL.	FRONT INNERTUBE PROTECTOR
15	V-0357	CTO. RUEDA DELANTERA	FRONT WHEEL SET



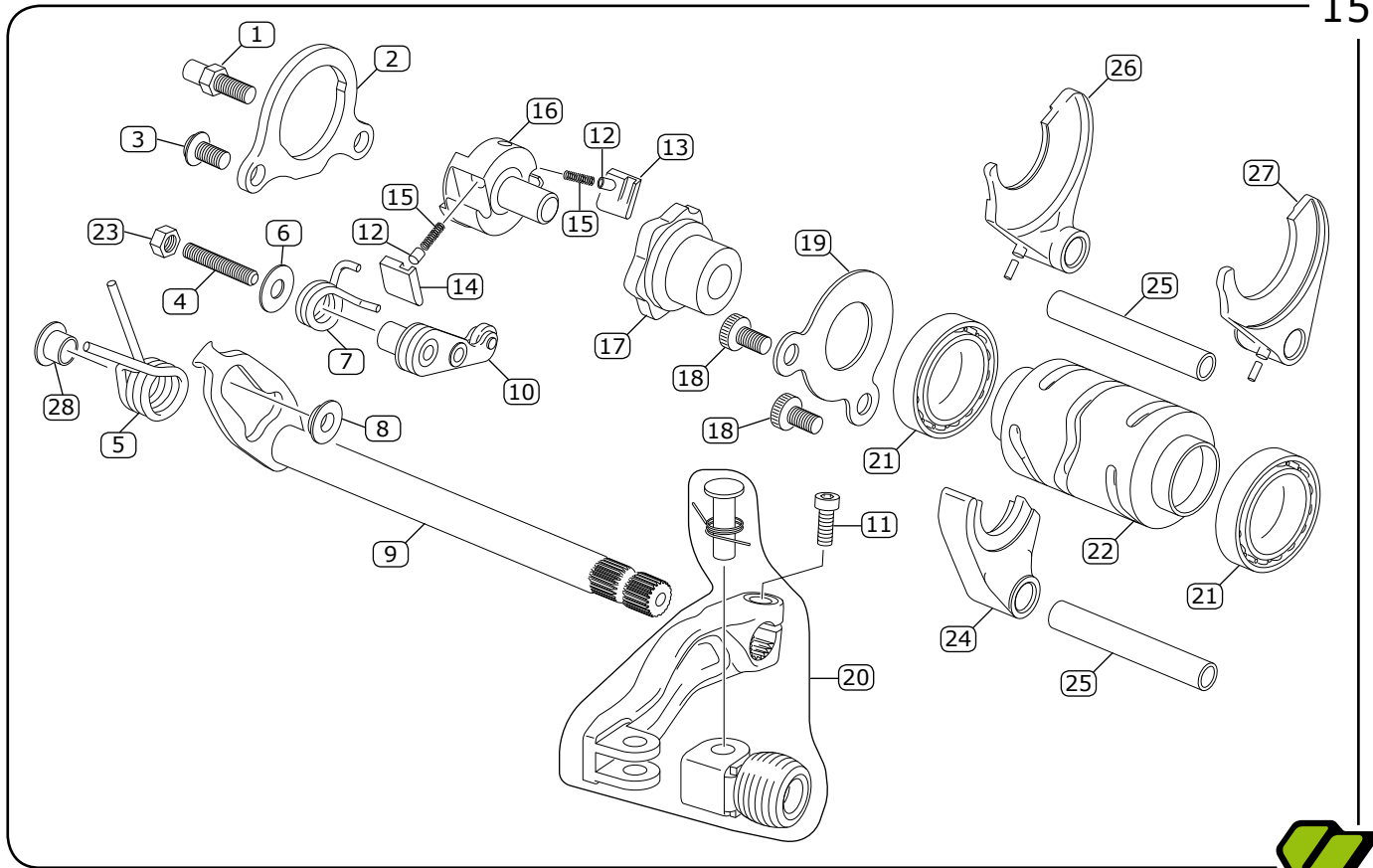
POS.	COD.	DESCRIPCIÓN	DESCRIPTION
1	V-0277	NEUM. TRAS. MICHELIN X-LIGHT 120/100 R18 68M	REAR TIRE MICHELIN X-LIGHT 120/100 R18 68M
2	V-0378	LLANTA TRASERA 2.15 X 18 TUBELESS	REAR RIM 2.15 X 18 TUBELESS
3	V-0349	DISCO FRENO TRASERO	REAR BRAKE DISC
4	V-0682	TORNILLO ESPECIAL M6X20 DISCO FRENO	SPECIAL SCREW M6X20 BRAKE DISC
5	V-0606	EXCENTRICA RUEDA TRAS CAMO	CAMO REAR WHEEL ECCENTRIC WASHER
6	V-0552	TUERCA RUEDA TRASERA	REAR WHEEL NUT
7	V-0549	CASQUILLO RUEDA TRASERA	REAR WHEEL SLEEVE
8	V-0510	RODAMIENTO BUJE 6004 2RS	BEARING HUB 6004 2 RS
9	V-0381	RADIO RUEDA TRASERA M4 X 0.7 L165 MM	REAR WHEEL SPOKE M4 X 0.7 L165 MM
10	V-0383	TUERCA TENSOR RADIO M4	REAR WHEEL SPOKE NUT M4
11	V-0382	RADIO RUEDA TRAS. M4 X 0.7 LG 34.5 MM	REAR WHEEL SPOKE M4 X 0.7 LG 34.5MM
12	V-0380	RADIO RUEDA TRAS. CORONA M4 X 0.7 L36 MM	REAR WHEEL SPOKE CROWN SIDE M4X0.7 L36 MM
13	V-0379	RADIO RUEDA TRAS. CORONA M4 X 0.7 L175 MM	REAR WHEEL SPOKE CROWN SIDE M4X0.7 L175 MM
14	V-0622	CADENA REGINA - 100	CHAIN REGINA - 100
15	V-0674	ENGANCHE CADENA	CHAIN LINK
16	V-0605	EJE RUEDA TRASERO	REAR WHEEL SHAFT
17	V-0681	TORNILLO ESPECIAL CORONA M8 X 25 MM	SPECIAL CROWN SCREW M8 X 25 MM
18	V-0620	CORONA Z38	CROWN Z38
19	V-1004	CASQUILLO INTERIOR BUJE TRASERO	REAR HUB INNER SLEEVE
20	V-0470	TUERCA M8 DIN 985 AUTOBLOCANTE	NUT M8 DIN 985 AUTO LOCK
21	V-0358	CTO RUEDA TRASERA	REAR WHEEL SET
22	V-1032	MEDIA MALLA	HALF CHAIN LINK



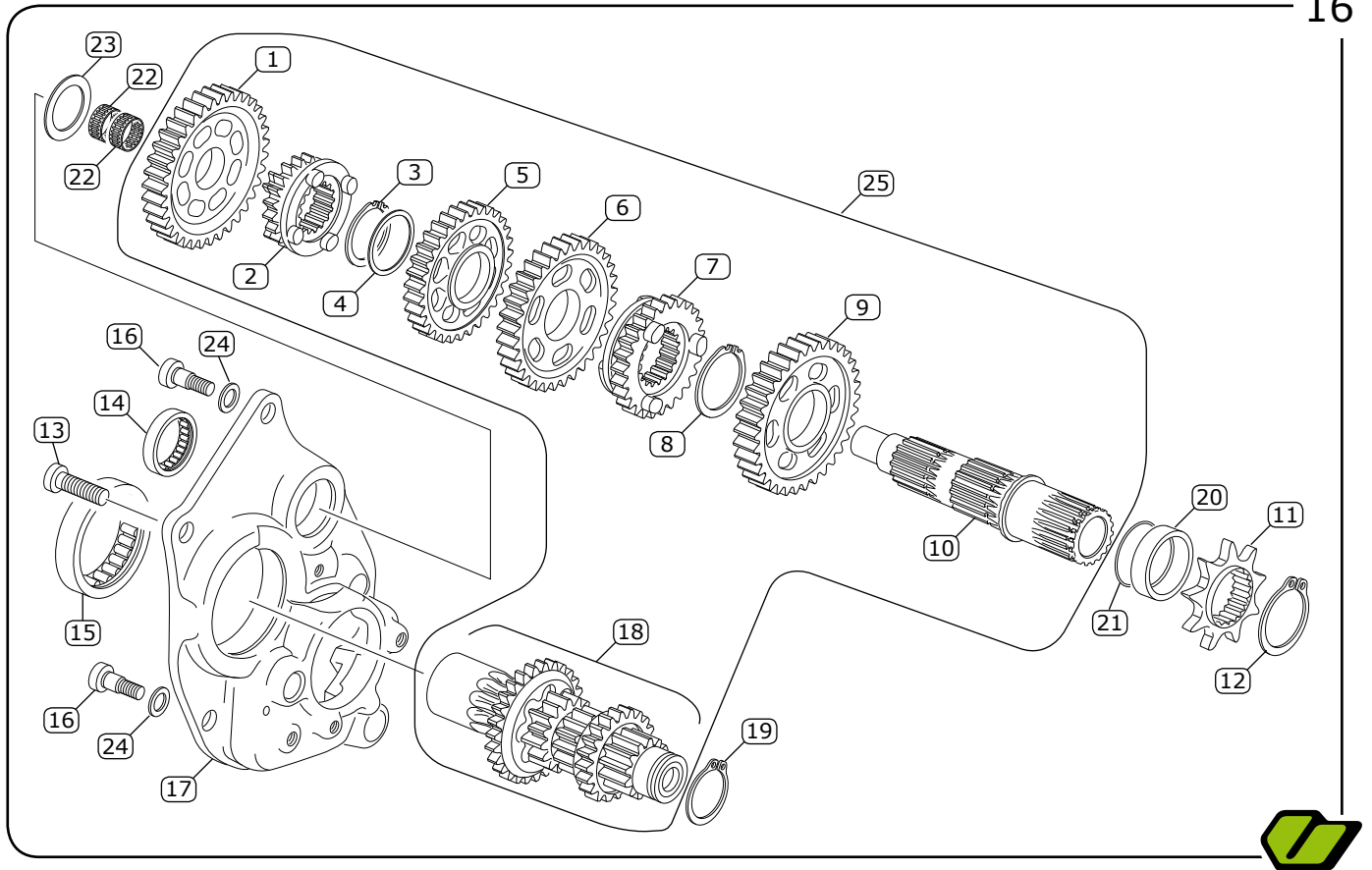
POS.	COD.	DESCRIPCIÓN	DESCRIPTION
1	V-1078	ADHESIVO GUARDABARROS DEL CAMO '17	FRONT MUDGUARD STICKER CAMO '17
2	V-0904	ADHESIVO CARETA RACING	LIGHT COVER STICKER
3	V-1079	ADHESIVO TAPA CAJA FILTRO CAMO '17	AIR FILTER COVER STICKER CAMO '17
4	V-1085	ADHESIVO TAPA DEPOSITO CAMO '17	FUEL TANK COVER STICKER CAMO '17
5	V-1080	ADHESIVO GURDABARROS TRAS.CAMO '17	REAR MUDGUARD STICKER CAMO '17
6	V-1086	ADHESIVOS CHASIS TUB. CTO.DRCHO '17	RIGHT SIDE TUBULAR FRAME STICKER SET CAMO '17
7	V-1088	ADHESIVOS PROTECTOR CHASIS CTO.DRCHO. '17	RIGHT FRAME PROTECTION STICKER SET CAMO '17
8	V-1081	ADHESIVO BASCULANTE DRCHO CAMO '17	RIGHT SIDE SWINGARM STICKER CAMO '17
9	V-1082	ADHESIVO BASCULANTE IZDO.CAMO '17	LEFT SIDE SWINGARM STICKER CAMO '17
10	V-1089	ADHESIVOS PROTECTOR CHASIS CTO.IZDO '17	LEFT FRAME PRTOECTION STICKER SET CAMO '17
11	V-1087	ADHESIVOS CHASIS TUB. CTO.IZDO '17	LEFT SIDE TUBULAR FRAME STICKER SET CAMO '17
12	V-1124	ADHESIVO CILINDRADA 250CC '17	250CC STICKER '17
13	V-0841	ADH. SSDT WINNER '16 DOUGIE LAMPKIN	SSDT WINNER '16 DOUGIE LAMPKIN STICKER
14	V-1123	ADHESIVO V GOTA '17	V DROP STICKER '17
15	V-1096	KIT ADHESIVO LLANTAS COMBAT	RIM STICKER SET
16	V-1083	ADHESIVO HORQUILLA DRCHO.CAMO '17	RIGHT BAR STICKER CAMO '17
17	V-1084	ADHESIVO HORQUILLA IZDO.CAMO '17	LEFT BAR STICKER CAMO '17



POS.	COD.	DESCRIPCIÓN	DESCRIPTION
1	V-0752	ARANDELA 18X40X0.5	WASHER 18X40X0.5
2	V-0232	MUELLE ARRANQUE	KICKSTART SPRING
3	V-0229	CENTRADOR MUELLE ARRANQUE	KICKSTART SPRING BUSH
4	V-0648	SEEGER EJE ARRANQUE	KICKSTART SEEGER SHAFT
5	V-0231	EJE ARRANQUE	KICKSTART SHAFT
6	V-0251	PIÑÓN DE ARRANQUE	KICKSTART GEAR
7	V-0230	MUELLE DE FRICCION ARRANQUE	KICKSTART FRICTION SPRING
8	V-0753	ARANDELA 14X25X0.5	WASHER 14X25X0.5
9	V-0203	PIÑÓN INT. ARRANQUE	INNER KICKSTART GEAR
10	V-0336	CIRCLIP PIÑÓN INT. ARRANQUE	INNER KICKSTART GEAR CIRCLIP
11	V-0592	CASQUILLO FIJACIÓN PALANCA DE ARRANQUE	KICKSTART SLEEVE
12	V-0299	CTO. PALANCA DE ARRANQUE	KICKSTART SET
13	V-0449	TORNILLO M6X25 DIN 7984 8.8	SCREW M6X25 DIN 7984 8.8
14	V-0921	ARANDELA 30X22X0.5MM	WASHER 30X22X0.5MM
14	V-0958	ARANDELA 30X22X0.3MM	WASHER 30X22X0.3MM
14	V-0806	ARANDELA 30X22X0.8MM	WASHER 30X22X0.8MM

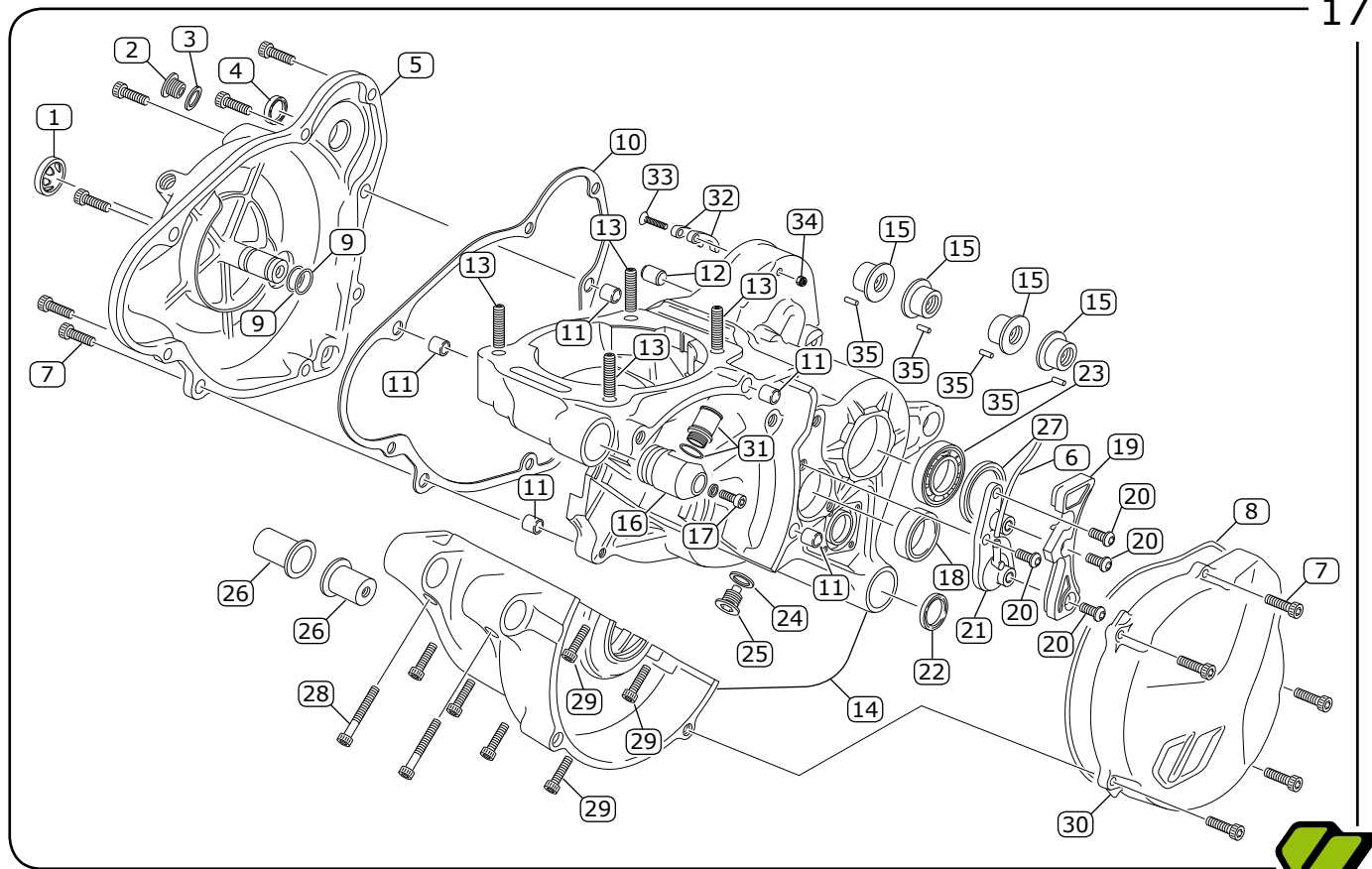


POS.	COD.	DESCRIPCIÓN	DESCRIPTION
1	V-0239	TOPE MUELLE SELECTOR	SPRING SELECTOR STOP
2	V-0219	PLETINA RETORNO DESMODRÓNICO	RETURN SHIFT PLATE
3	V-0554	TORNILLO M5X10 DIN 912 8.8	SCREW M5X10 DIN 912 8.8
4	V-0811	ESPARRAGO DIN 913 (ISO 4026) M5X35	STUD M5X35 913 ISO 4026
5	V-0243	MUELLE FIJADOR MARCHAS	GEAR SELECTOR SPRING
6	V-0810	ARANDELA DIN 9021 M5	WASHER DIN 9021 M5
7	V-0228	MUELLE FIJADOR MARCHAS	GEAR SELECTOR SPRING
8	V-0220	CASQUILLO SELECTOR DESMODRÓNICO	SHIFT SLEEVE
9	V-0218	EJE SELECTOR	SHIFT SHAFT ASSY
10	V-0269	POLEA FIJADOR MARCHAS	SHIFT SELECTOR PULLEY
11	V-0645	TORNILLO M6X16 DIN7984 8.8	SCREW M6X16 DIN7984 8.8
12	V-0247	TETÓN LEVA CAMBIO	CAM SHIFT PIPE
13	V-0245	LEVA CAMBIO IZQUIERDA	LEFT SHIFT CAM LEVER
14	V-0246	LEVA CAMBIO DERECHA	RIGHT SHIFT CAM LEVER
15	V-0248	MUELLE TETÓN LEVA CAMBIO	CAM SHIFT PIPE SPRING
16	V-0221	SELECTOR DESMODRÓNICO	DRUM SHIFT CAM SHORT LEVELS
17	V-0226	ESTRELLA SELECTOR CAMBIO	DRUM SHIFT STAR
18	V-0556	TORNILLO M5X10 ISO7380 10.9	SCREW M5X10 ISO7380 10.9
19	V-0227	PLETINA SUJECIÓN ROD. CAMBIO	BEARING SUPPORT PLATE
20	V-0295	CTO. PALANCA CAMBIO	SHIFT PEDAL
21	V-0285	RODAMIENTO 61804 DESMODRÓNICO	BEARING 61804 SHIFT DRUM
22	V-0225	TAMBOR DESMODRÓNICO	DESMODROMIC SHIFT DRUM
23	V-0812	TUERCA M5 DIN 985 AUTOBLOCANTE	M5 NUT AUTOLOCK
24	V-0240	HORQUILLA EJE PRIMARIO	PRIMARY SHAFT GEAR FORK
25	V-0244	EJE HORQUILLA 89.9MM	GEAR FORK SHAFT 89.9MM
26	V-0242	HORQUILLA 6A SECUNDARIO	SECONDARY SHAFT 6TH GEAR FORK
27	V-0241	HORQUILLA 5A SECUNDARIO	SECONDARY SHAFT 5TH GEAR FORK
28	V-0678	CASQUILLO CENTRADOR MUELLE SELECTOR	SELECTOR SHAFT CENTERING SLEEVE

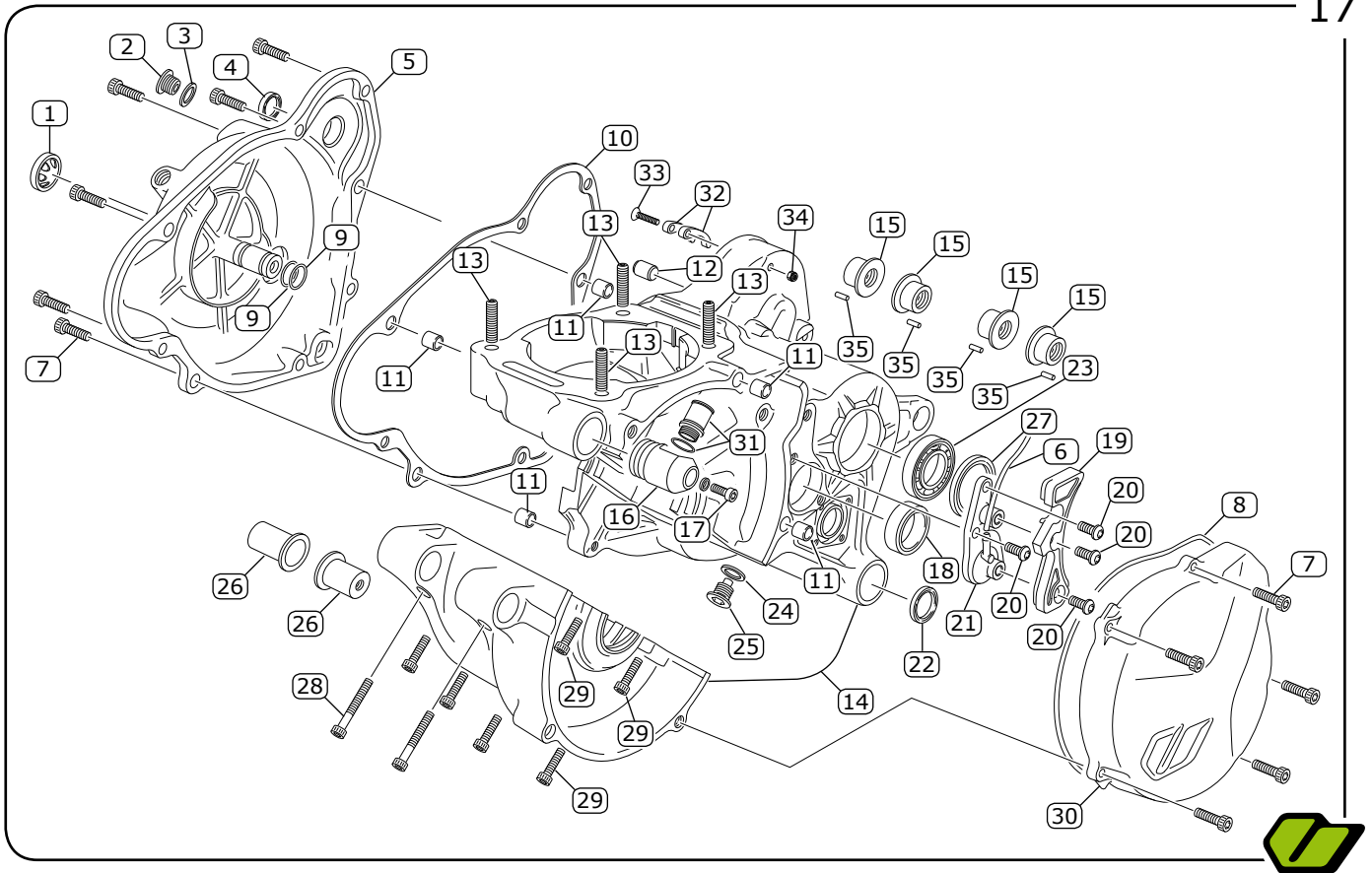


POS.	COD.	DESCRIPCIÓN	DESCRIPTION
1	V-0205	PIÑÓN 1A	1ST GEAR
2	V-0211	PIÑÓN 6A	6TH GEAR
3	V-0279	SEEGER D.22X1.2	SEEGER D.22X1.2
4	V-0265	ARANDELA SEPARADOR	WASHER
5	V-0209	PIÑÓN 4A	4TH GEAR
6	V-0214	PIÑÓN 3A	3RD GEAR
7	V-0210	PIÑÓN 5A	5TH GEAR
8	V-0279	SEEGER D.22X1.2	SEEGER D.22X1.2
9	V-0213	PIÑÓN 2A	2TH GEAR
10	V-0204	EJE SECUNDARIO	SECONDARY SHAFT
11	V-0613	PIÑÓN SALIDA Z9	EXIT SPROCKET Z9
12	V-0584	SEEGER D.25X1.2 DIN 471	SEEGER PINION EXIT
13	V-0559	TORNILLO M6X20 DIN 7984 8.8	SCREW M6X20 DIN 7984 8.8
14	V-0288	RODAMIENTO AGUJAS SECUNDARIO	NEEDLE ROLLER SECONDARY
15	V-0284	RODAMIENTO AGUJAS CAMP EMB	NEEDLE BEARING CROWN CLUTCH
16	V-1041	TORNILLO AJUSTABLE ISO 7379 12.9 Ø8 F9 M6X10	ADJUSTABLE SCREW ISO 7379-12.9 Ø8 F9 M6X10
17	V-0261	TAPA SUJECIÓN CAMBIO	GEARBOX SUPPORT
18	V-0205	EJE PRIMARIO & PIÑÓN 1A PRIMARIO	PRIMARY SHAFT & 1ST GEAR
19	V-0335	SEEGER D.20 X1.2 DIN471 EJE PRIMARIO	SEEGER D.20 DIN471 PRIMARY SHAFT
20	V-0309	CASQUILLO PIÑÓN SALIDA	SHIFT SEAL BUSHING
21	V-0634	JUNTA TÓRICA 25X1.5	O-RING 25X1.5
22	V-0259	RODAMIENTO AGUJAS	NEEDLE ROLLER BEARING
23	V-0753	ARANDELA 14X25X0.5M	WASHER 14X25X0.5MM
24	V-1042	ARANDELA DIN 433 M8	WASHER DIN 433 M8
25	V-0267	GRUPO CAMBIO COMPLETO	GEARBOX ASSY

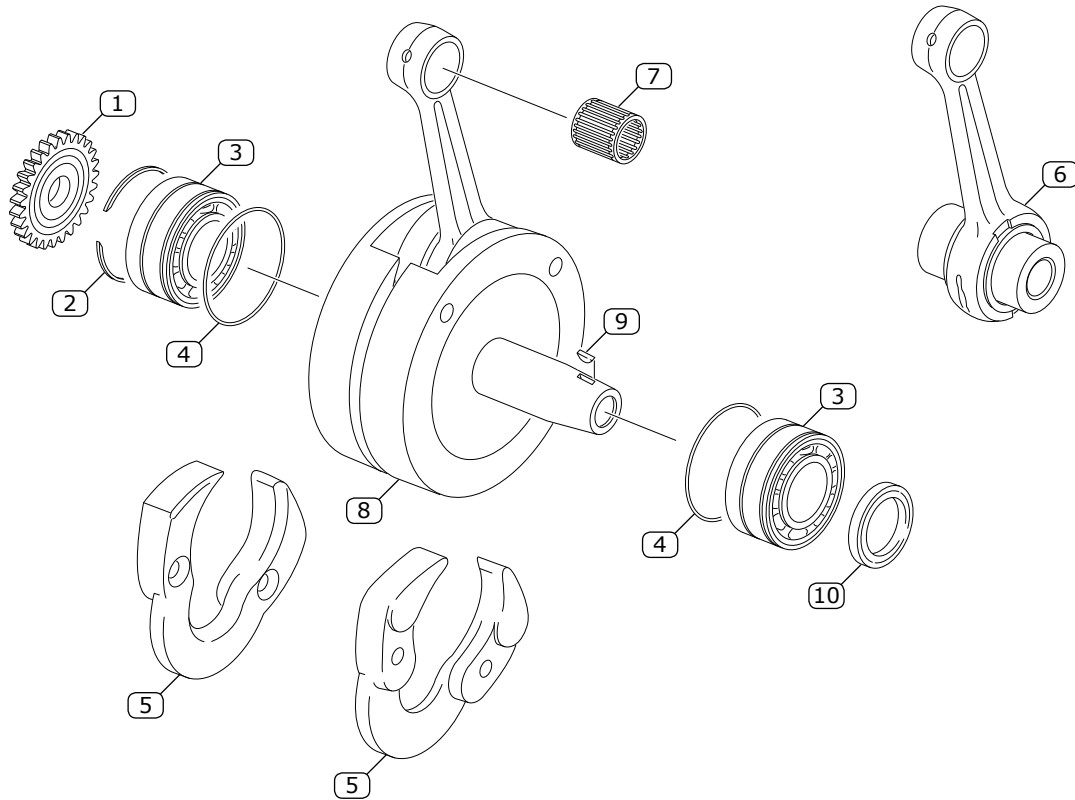




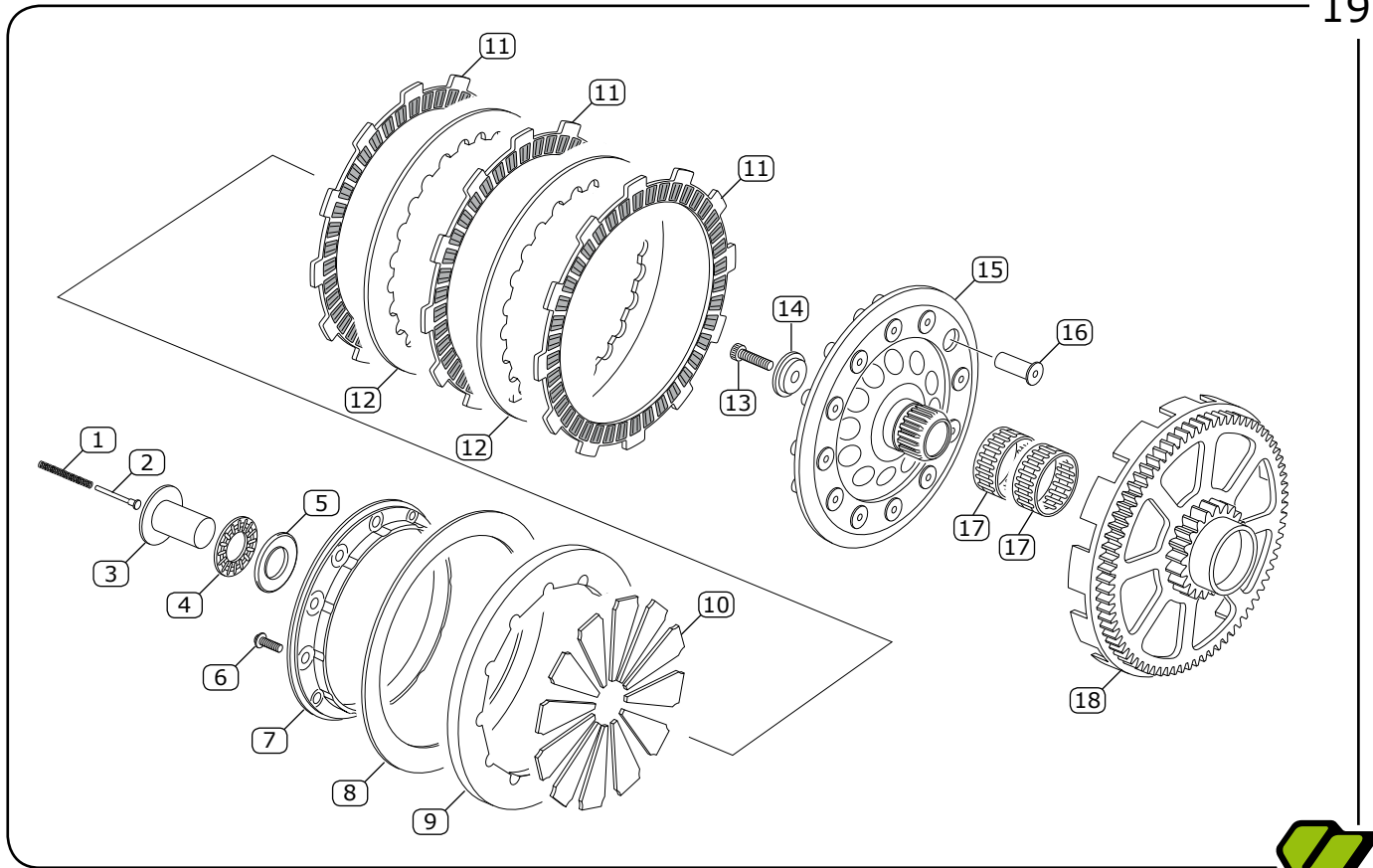
POS.	COD.	DESCRIPCIÓN	DESCRIPTION
1	V-0314	MIRILLA VISOR ACEITE	WINDOW DISPLAY OIL
2	V-0311	TAPÓN LLENADO ACEITE	OIL FILLER CAP
3	V-0472	ARANDELA COBRE TAPÓN ACEITE	COOPER WASHER OIL
4	V-0339	RETÉN 18X24X4	LIP SEAL 18X24X4
5	V-0289	TAPA EMBRAGUE	CLUTCH COVER
6	V-0663	TUBO DESVAPORIZADOR CAMBIO	GEARBOX BREATHE TUBE
7	V-0448	TORNILLO M5X20 DIN 912 8.8	SCREW M5X20 DIN 912 8.8
8	V-0527	JUNTA TAPA ALTERNADOR	FLYWHEEL COVER GASKET
9	V-0662	TORICA BOMBIN EMBRAGUE 11.5X1.5	CLUTCH PUMP O-RING 11.5X1.5
10	V-0262	JUNTA TAPA EMBRAGUE	CLUTCH COVER GASKET
11	V-0639	CASQUILLO CENTRADOR CARTER	CRANKCASE CENTRING SLEEVE
12	V-0310	TOPE PALANCA ARRANQUE	STOP KICKSTART PEDAL
13	V-0464	TORNILLO M8X30 DIN 835 8.8	SCREW M8X30 DIN 835 8.8
14	V-0249	CTO. CARTERS	CRANKCASE SET
15	V-0640	CASQUILLO ROSCADO CARTER	CRANKCASE THREADED SLEEVE
16	V-0506	SOPORTE RACOR BOMBA/CARTER	SUPPORT FITTING PUMP/CRANKCASE
17	V-0643	TORNILLO M5X6 DIN 912 8.8	SCREW M5X6 DIN 912 8.8
18	V-0283	RODAMIENTO BOLAS CONTACTO ANGULAR	TWO ROWS BALL BEARING
19	V-0579	PROTECTOR CADENA	CRANKCASE CHAIN PROTECTOR
20	V-0651	TORNILLO M5X10 DIN 6912 8.8	SCREW M5X10 DIN 6912 8.8
21	V-0529	TAPA EJE PRIMARIO	PRIMARY SHAFT COVER
22	V-0340	RETEN 12X22X7 EJE SELECTOR/CARTER	LIP SEAL 12X22X7 GEAR PEDAL/CRANKCASE
23	V-0287	RODAMIENTO BOLAS SECUNDARIO/PIÑÓN	BALL BEARING 6005 SECONDARY SHAFT
24	V-0472	ARANDELA COBRE TAPÓN ACEITE 12/16/1.5	COOPER WASHER OIL
25	V-0312	TAPÓN VACIADO ACEITE	DRAIN PLUG OIL
26	V-0547	CASQUILLO CARTER/SUBCHASIS DEL	CARTER/FRONT SUBFRAME SLEEVE
27	V-0342	RETEN 30X36X5 EJE SECUNDARIO/CARTER	LIP SEAL 30X36X5 SECONDARY SHAFT/CRANKCASE
28	V-0453	TORNILLO M6X45 DIN 912 10.9	SCREW M6X45 DIN 912 10.9
29	V-0559	TORNILLO M6X20 DIN 7984 8.8	SCREW M6X20 DIN 7984 8.8
30	V-0304	TAPA ALTERNADOR	FLYWHEEL COVER



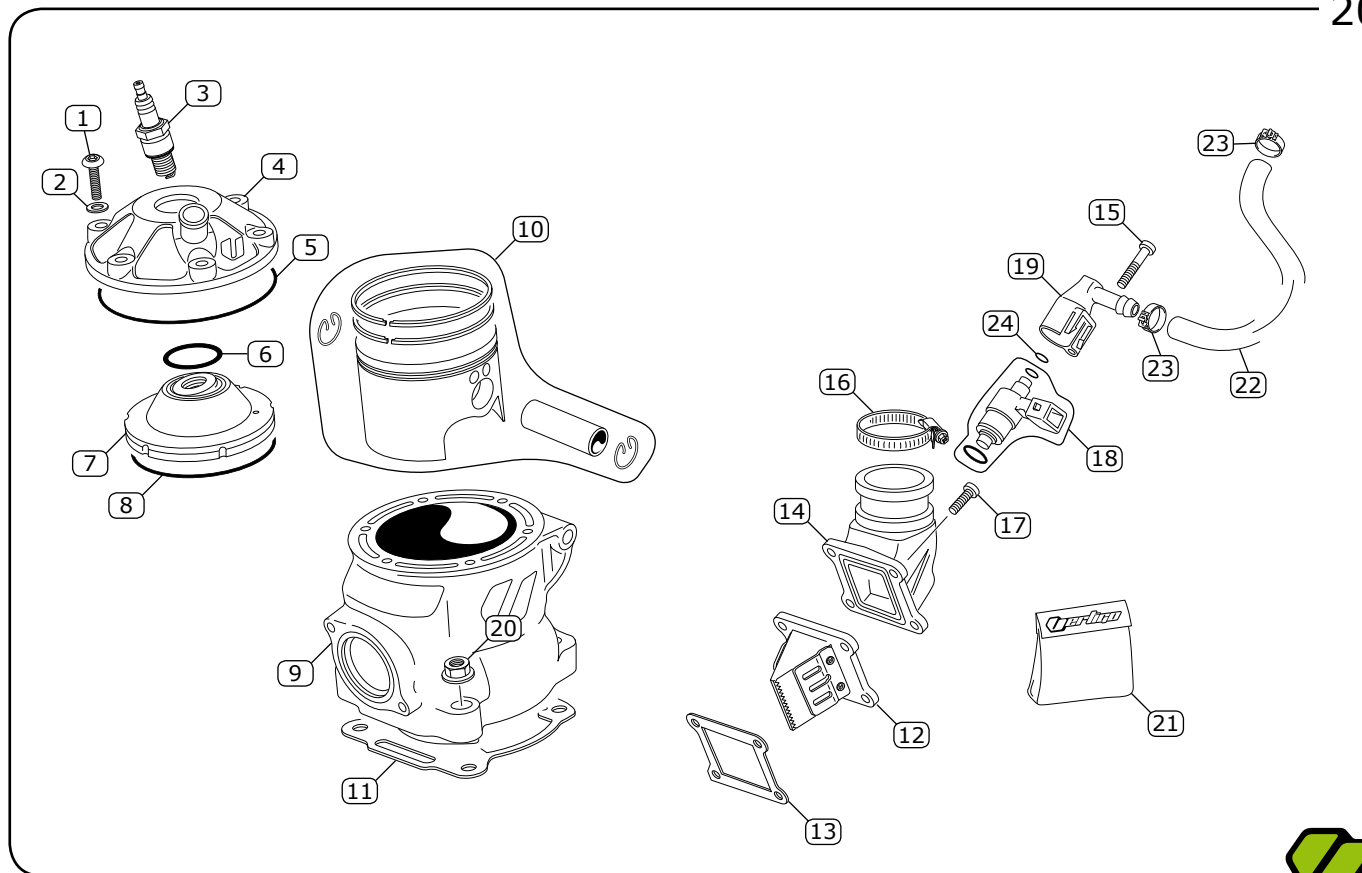
POS.	COD.	DESCRIPCIÓN	DESCRIPTION
31	V-0505	RACOR CARTER	RACOR CRANKCASE
32	V-0857	TOPE INFERIOR PALANCA ARRANQUE	LOWER KICKSTART STOP
33	V-1177	TORNILLO M5X20 10.9 AVELLANADO	SCREW M5X20 10.9
34	V-0812	TUERCA M5 DIN 985 AUTOBLOCANTE	M5 NUT AUTOLOCK
35	V-1068	CLAVIA 3X10MM DIN7	PIN 3X10MM DIN7



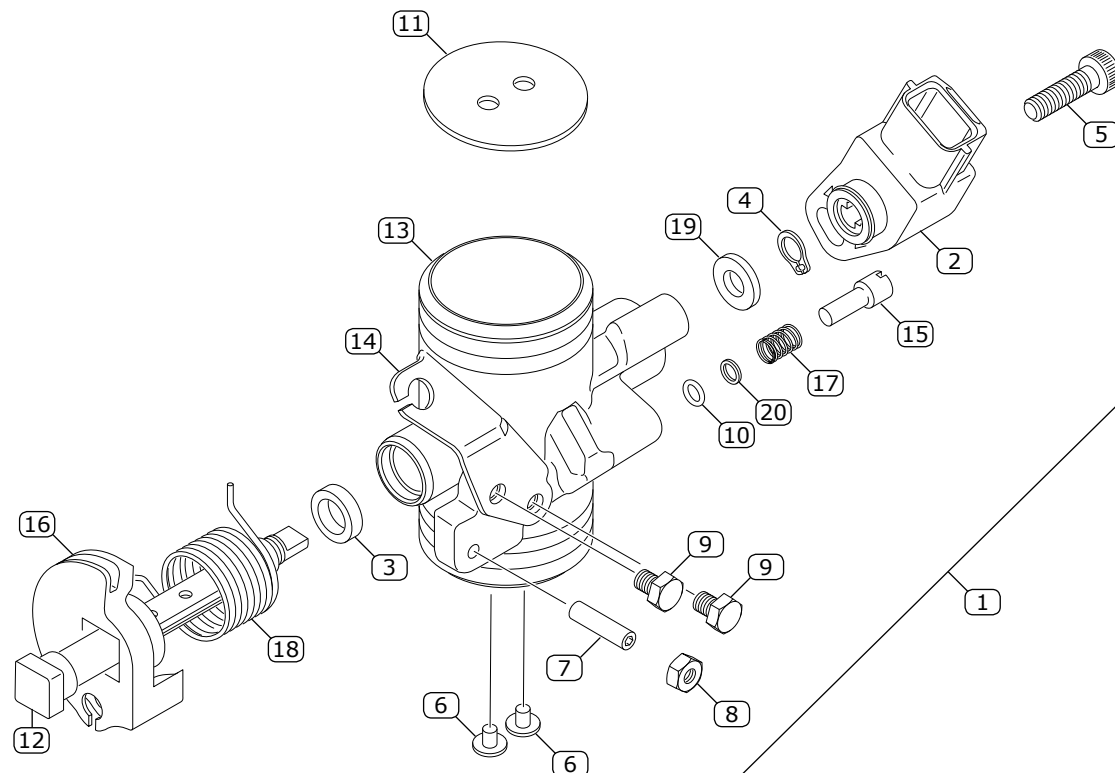
POS.	COD.	DESCRIPCIÓN	DESCRIPTION
1	V-0206	PIÑÓN TRANSMISIÓN PRIMARIA	PRIMARY TRANSMISSION GEAR
2	V-0337	SEGER D.52 DIN5417	SEGER D.52 DIN5417
3	V-0316	RODAMIENTO 25X52X23 CIGUEÑAL	CRANKSHAFT BEARING 25X52X23
4	V-0721	TORICA VITON 44.17X1.78 RODAMIENTO CIGUEÑAL	CRANKSHAFT BEARING O-RING VITON 44.17X1.78
5	V-0603	CONTRAPESO CIGUEÑAL	CRANKSHAFT COUNTERWEIGHT
6	V-0493	CTO. BIELA	CONNECTING ROD
7	V-0315	RODAMIENTO AGUJAS 18X22X22 BIELA	NEEDLE ROLLER BEARING 18X22X22 CONROD
8	V-0297	CIGUEÑAL 116MM	CRANKSHAFT 116MM
9	V-0636	CHAVETA CIGUEÑAL DIN 6888	CRANKSHAFT COTTER DIN 6888
10	V-0341	RETEN 25X32X4 CIGUEÑAL	CRANKSHAFT LIP SEAL 25X32X4



POS.	COD.	DESCRIPCIÓN	DESCRIPTION
1	V-0308	MUELLE PISTON EMBRAGUE	CLUTCH PISTON SPRING
2	V-0307	GUIA MUELLE PISTÓN EMBRAGUE	CLUTCH PISTON SPRING GUIDE
3	V-0305	PISTON BOMBIN EMBRAGUE	CLUTCH PUMP PISTON
4	V-0286	ROD. AXIAL AGUJAS AXK1730 EMP. EMBRAGUE	AXIAL NEEDLE BEARING CLUTCH PISTON BEARING
5	V-0306	EMPUJADOR EMBRAGUE	CLUTCH PISTON BEARING PLATE
6	V-0432	TORNILLO M4X10 INOX A2 TORX TETON EMBRAGUE	SCREW M4X10 INOX A2 TORX
7	V-0236	SOPORTE MUELLE EMBRAGUE	CLUTCH SPRING SUPPORT
8	V-0224	MUELLE EMBRAGUE 1.5MM	CLUTCH SPRING 1.5MM
9	V-0235	PRENSA EMBRAGUE	CLUTCH PRESSURE PLATE
10	V-0222	PALANQUETA EMBRAGUE	CLUTCH RELEASE ARM
11	V-0237	DISCO EMBRAGUE FORRADO	FIBER CLUTCH DISC
12	V-0621	DISCO EMBRAGUE HIERRO 1.3MM	STEEL CLUTCH DISC 1.3MM
12	V-0238	DISCO EMBRAGUE HIERRO 1.4MM	STEEL CLUTCH DISC 1.4MM
13	V-0774	TORNILLO M5X20 CASQUILLO NUCLEO EMBRAGUE	SCREW M5X20 CLUTCH HUB
14	V-0326	CASQ NUCLEO EMBRAGUE	CLUTCH CORE INNER SLEEVE
15	V-0266	CUBO EMBRAGUE COMPLETO	CLUTCH HUB ASSY
16	V-0223	TETON CUBO EMBRAGUE	CLUTCH SPRING PIPE
17	V-0260	RODAMIENTO AGUJAS K28X31X13	NEEDEL BEARING K28X31X13
18	V-0264	CAMPANA EMBRAGUE	CLUTCH BASKET



POS.	COD.	DESCRIPCIÓN	DESCRIPTION
1	V-0451	TOR. ESPECIAL M6X25 10.9 DELTA PROTEK KL100	SCREW M6X25 10.9 DELTA PROTEK KL100
2	V-0737	ARANDELA COBRE 6X10X1.5	COPPER WASHER 6X10X1.5
3	V-0290	BUJÍA BPMR6A	SPARK PLUG BPMR6A
4	V-0257	TAPA CULATA	CYLINDER HEAD COVER
5	V-0569	JUNTA TÓRICA EXT. CULATA 104,40 X 1.78 VITON	CYLINDER HEAD EXT. O-RING 104,40 X 1.78 VITON
6	V-0292	JUNTA TÓRICA CULATÍN	CYLINDER HEAD COVER O-RING
7	V-0616	CULATIN 250CC	CYLINDER HEAD 250CC
8	V-0570	TÓRICA INT. CULATA 83 X 87 X 2	RING EXT. HEAD 83X87X2
9	V-0614	CILINDRO 250CC	CYLINDER 250CC
10	V-0615	PISTON 250CC "A"	PISTON 250CC "A"
10	V-1190	PISTON 250CC "B"	PISTON 250CC "B"
10	V-1191	PISTON 250CC "C"	PISTON 250CC "C"
11	V-0263	JUNTA CILINDRO	CYLINDER GASKET
12	V-0272	CAJA LÁMINAS	REED VALVE
13	V-0548	JUNTA CAJA LÁMINAS 0.8MM	REED VALVE GASKET 0.8MM
14	V-0200	TOBERA ADMISIÓN	AIR INTAKE MANIFOLD
15	V-0436	TORNILLO M5X30 DIN 7984 8.8	SCREW M5X30 DIN 7984 8.8
16	V-0604	ABRAZADERA TORRO 25-40/9 W2	TORRO CLAMP 25-40/9 W2
17	V-0865	TORNILLO M5X25 DIN7984 8.8	SCREW M5X25 DIN7984 8.8
18	V-0298	INYECTOR	FUEL INJECTOR
19	V-0421	CONNECTOR INYECTOR	INJECTOR SUPPORT
20	V-0471	TUERCA M8 DIN 6923	NUT M8 DIN 6923
21	V-1012	KIT LAMINAS ADMISIÓN	REED VALVE KIT
22	V-0754	TUBO GASOLINA	PETROL HOSE
23	V-0838	ABRAZADERA COBRA 13/8	COBRA CLAMP 13/8
24	V-0802	TORICA SUP. INYECTOR 6.35X1.78	INJECTOR UPPER O-RING 6.35X1.78



POS.	COD.	DESCRIPCIÓN	DESCRIPTION
1	V-0494	CTO. CUERPO INYECCIÓN	INJECTION BODY SET
2	V-0422	SENSOR POSICIÓN CUERPO GAS	THROTTLE POSITION SENSOR
3	V-0474	ANILLO RETENCIÓN CM 8X12X3	RETAINER RING 381.148
4	V-0475	SEEGER CM DIN 471 - 6X0.7	CIRCLIP DIN 471 - 6X0.7
5	V-0435	TORNILLO M5X16 DIN 7984 8.8	SCREW M5X16 DIN 7984 8.8
6	V-0477	TORNILLO M3X4 CM ISO 7380-3 10.9	TORNILLO M3X4 CM ISO 7380-3 10.9
7	V-0478	ESPARRAGO CM DIN 913 A2 M4X16	STUD CM DIN 913 A2 M4X16
8	V-0479	TUERCA CM DIN 934 M4	M4 NUT DIN 934
9	V-0480	TORNILLO M4X6 DIN 912 8.8	SCREW M4X6 DIN 912 8.8
10	V-0481	TORICA CM DIN 3771-4X1	O-RING DIN 3771 4X1
11	V-0482	MARIPOSA	BUTTERFLY
12	V-0483	EJE MARIPOSA	BUTTERFLY AXIS
13	V-0484	CUERPO MARIPOSA	THROTTLE BODY
14	V-0485	CHAPA SOPORTE TENSOR CABLE	CABLE TENSIONER SUPPORT
15	V-0486	AGUJA AIRE M7X0.5-CM	AIR NEEDLE M6X0.5
16	V-0487	POLEA CUERPO MARIPOSA	THROTTLE BODY PULLEY
17	V-0488	MUELLE AGUJA CM 4X0.5	SPRING 4X0.5
18	V-0489	MUELLE POLEA CUERPO MARIPOSA	PULLEY SPRING
19	V-0490	ARANDELA CM 6X12X1	WASHER 6X11.5X2
20	V-0491	ARANDELA CM 4.1X5.4X0.25	WASHER 4.1X5.4X0.25

# VERTIGO

## CONTACT US

---

GENERAL INFORMATION  
[info@vertigomotors.com](mailto:info@vertigomotors.com)  
(+34) 931 701 655

SPARE PARTS DEPARTMENT  
[spareparts@vertigomotors.com](mailto:spareparts@vertigomotors.com)