

Verano
EXPERIENCE & PASSION

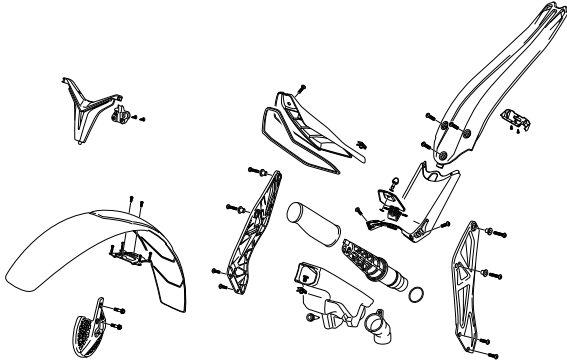


DOUGIE  **2018**
LAMPKIN 12

250cc

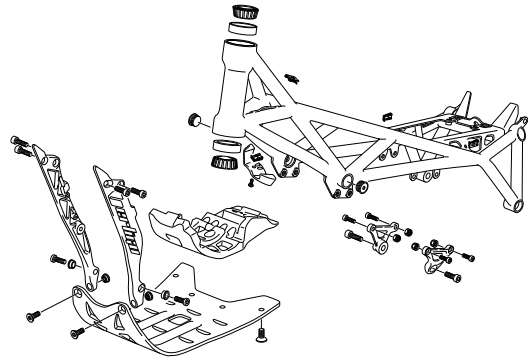
CATÁLOGO RECAMBIOS / SPARE PARTS BOOK / PIÈCES DE RECHANGE

PG. 1-2



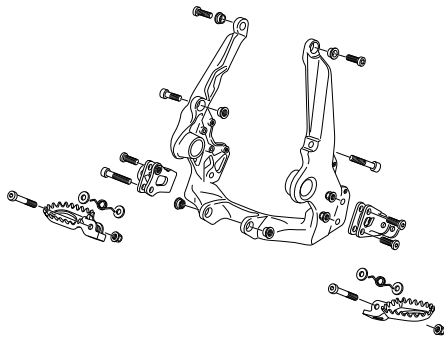
PLÁSTICOS - PLASTICS

PG. 3



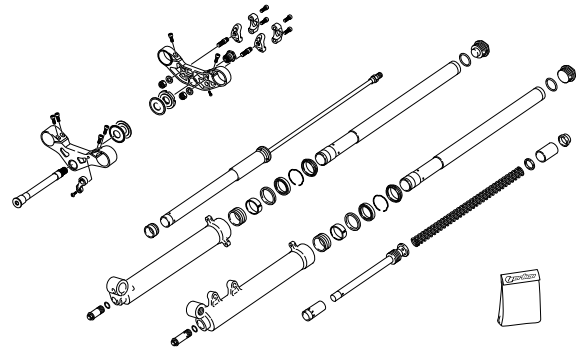
BASTIDOR - FRAME

PG. 4



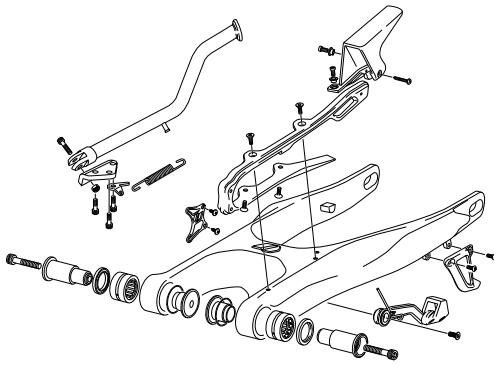
SUBCHASIS - SUBFRAME

PG. 5-6



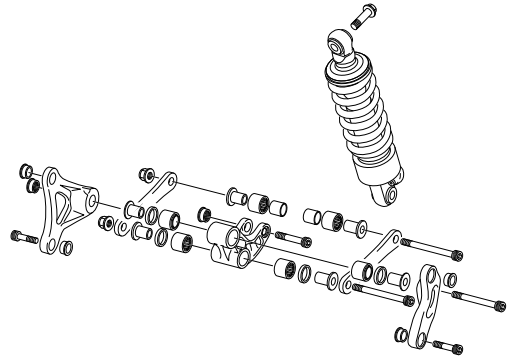
HORQUILLA SUSPENSIÓN - FORK

PG. 7



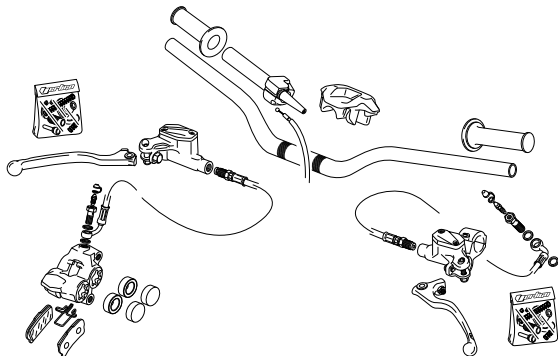
BASCULANTE - SWINGARM

PG. 8



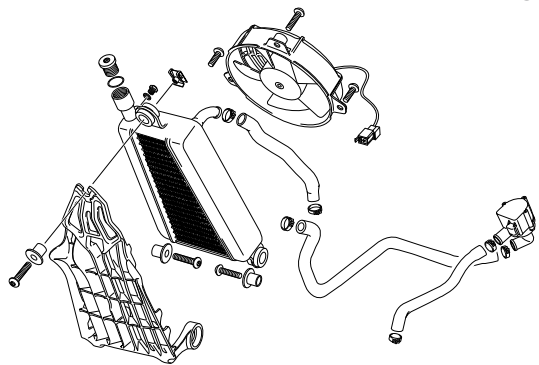
AMORTIGUACIÓN - ROCKER

PG. 9



MANILLAR - HANDLEBAR

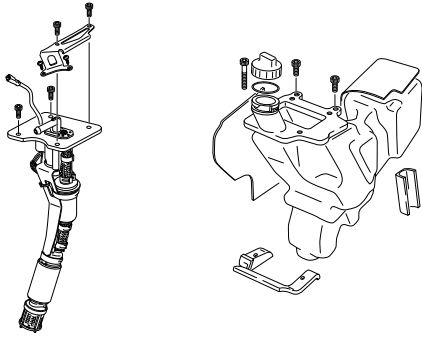
PG. 10



REFRIGERACIÓN - COOLING SYSTEM

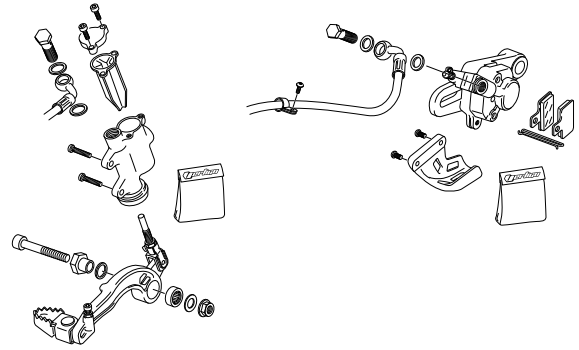


PG. 11



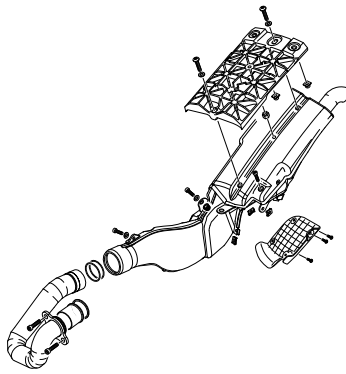
DEPÓSITO DE GASOLINA - FUEL TANK

PG. 12



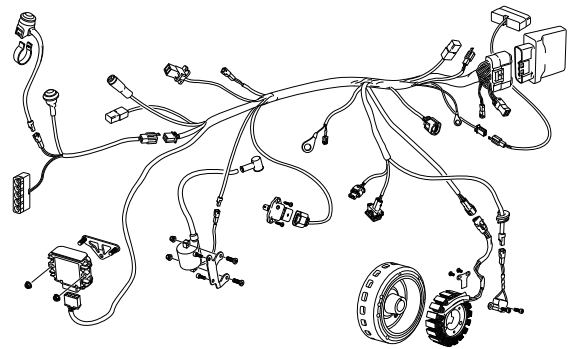
FRENO TRASERO - REAR BRAKE

PG. 13



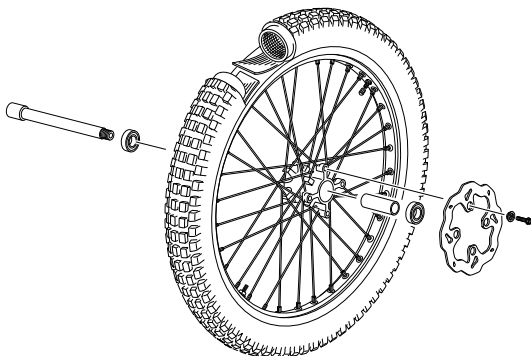
ESCAPE - EXHAUST

PG. 14



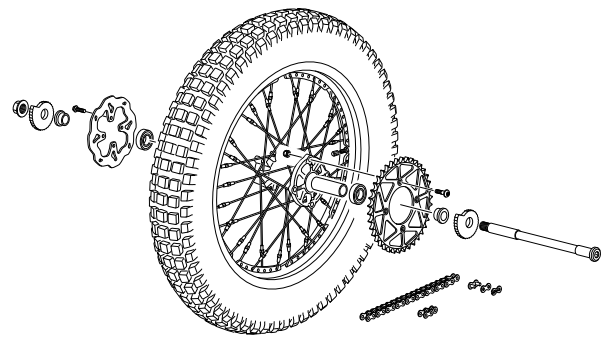
INSTALACIÓN ELÉCTRICA - ELECTRICAL SYSTEM

PG. 15



RUEDA DELANTERA - FRONT WHEEL

PG. 16



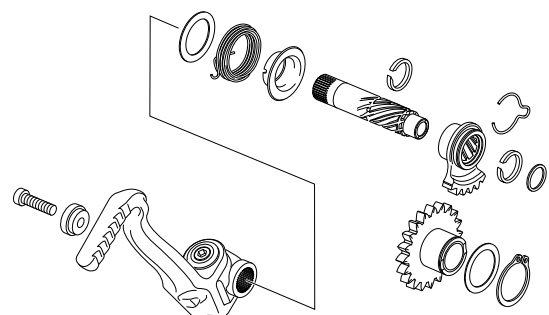
RUEDA TRASERA - REAR WHEEL

PG. 17



ADHESIVOS - STICKERS

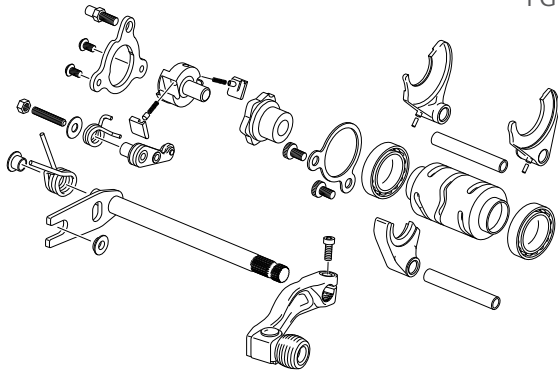
PG. 18



SISTEMA DE ARRANQUE - STARTING SYSTEM

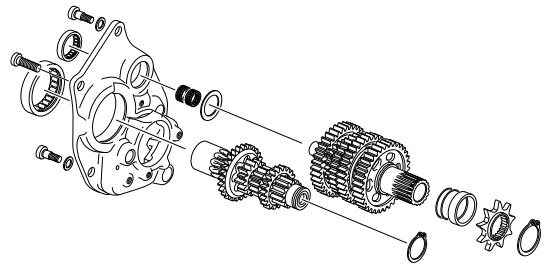


PG. 19



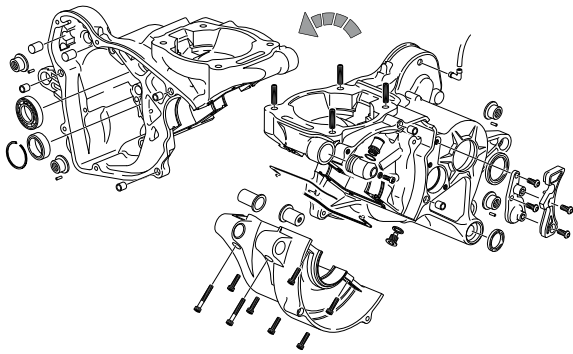
SELECTOR DEL CAMBIO - SHIFTER

PG. 20



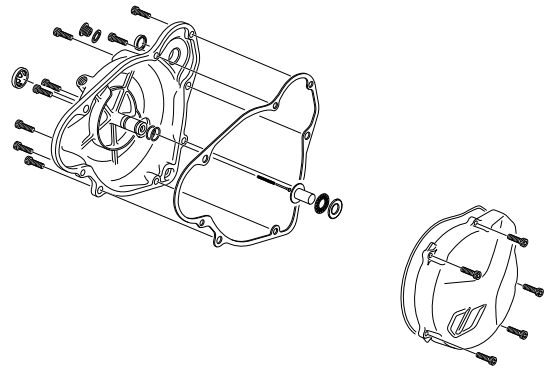
CAMBIO DE MARCHAS - GEARBOX

PG. 21



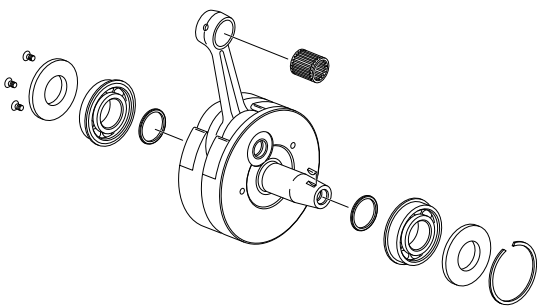
CÁRTERS - CRANKCASE

PG. 22



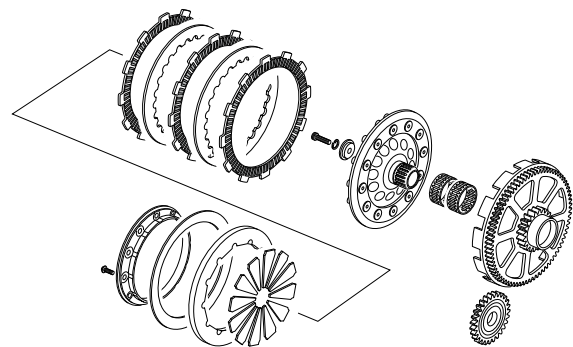
TAPAS - COVERS

PG. 23



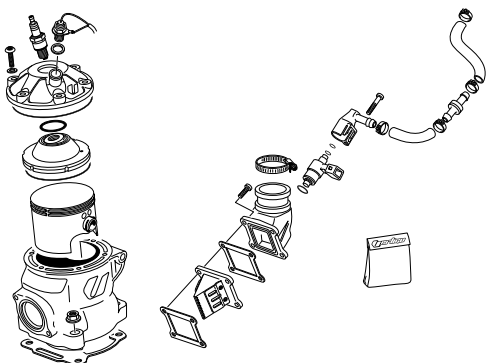
CIGUEÑAL - CRANKSHAFT

PG. 24



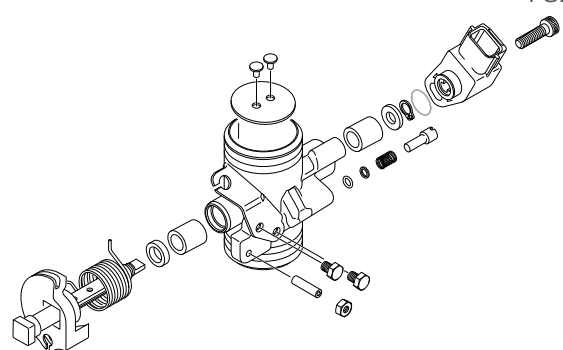
EMBRAGUE - CLUTCH

PG. 25



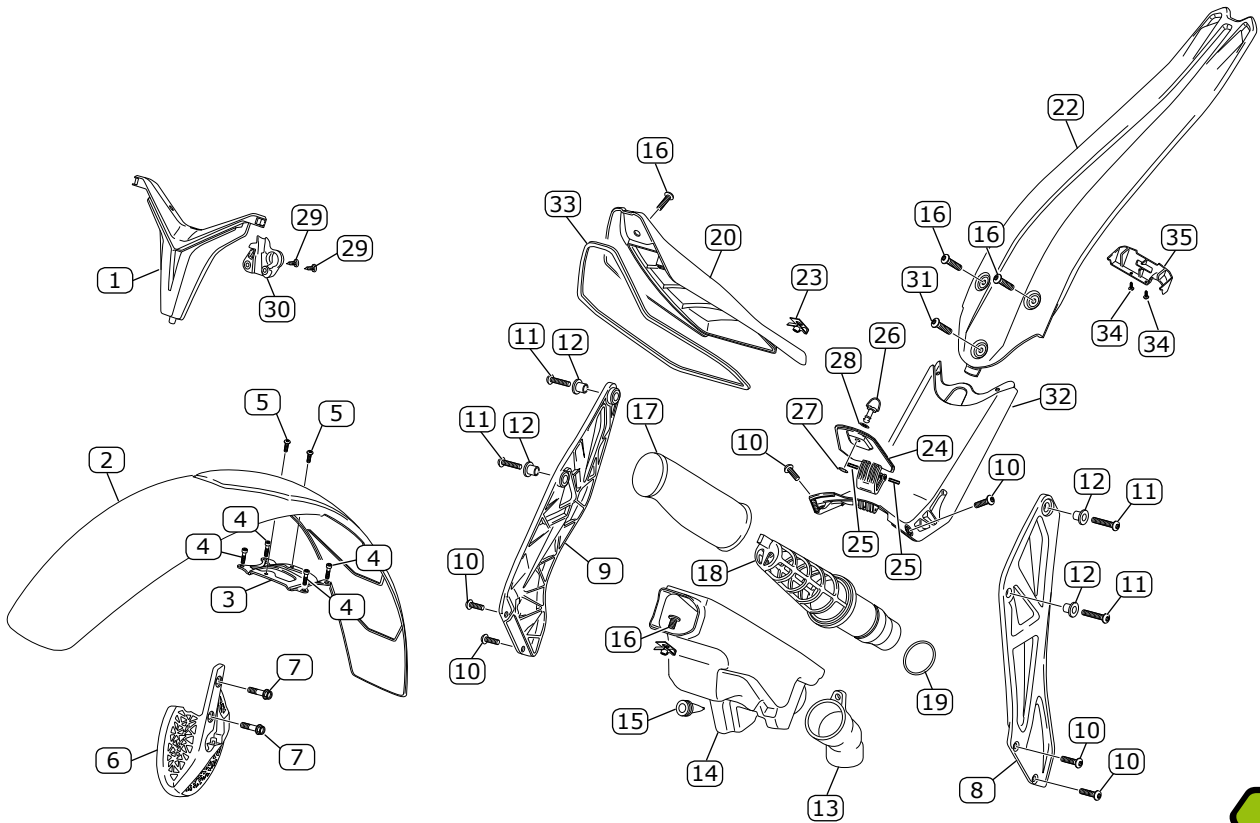
CILINDRO-CULATA-PISTON - CYLINDER-HEAD-PISTON

PG. 26

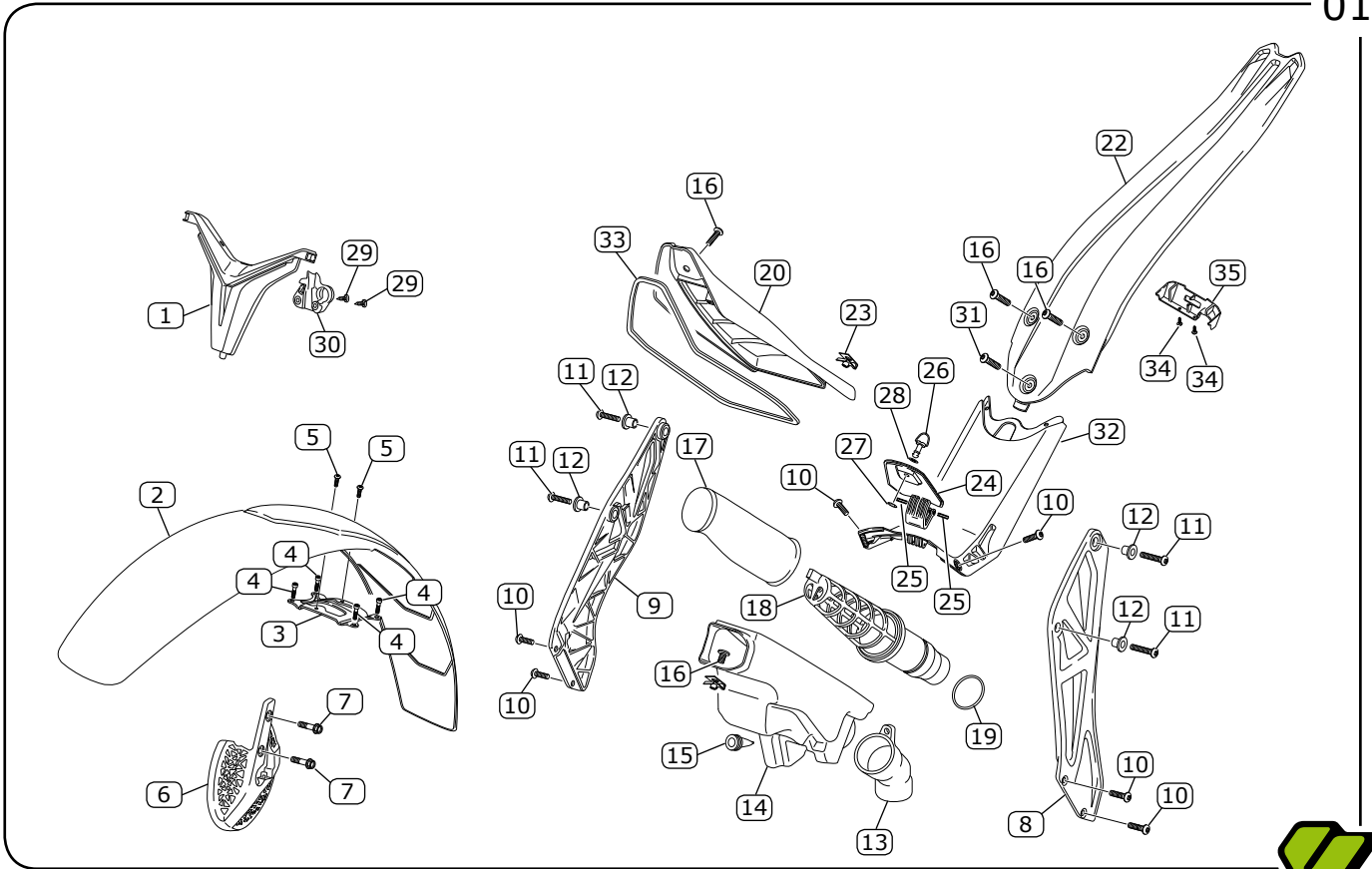


CUERPO INYECCIÓN - INJECTION BODY

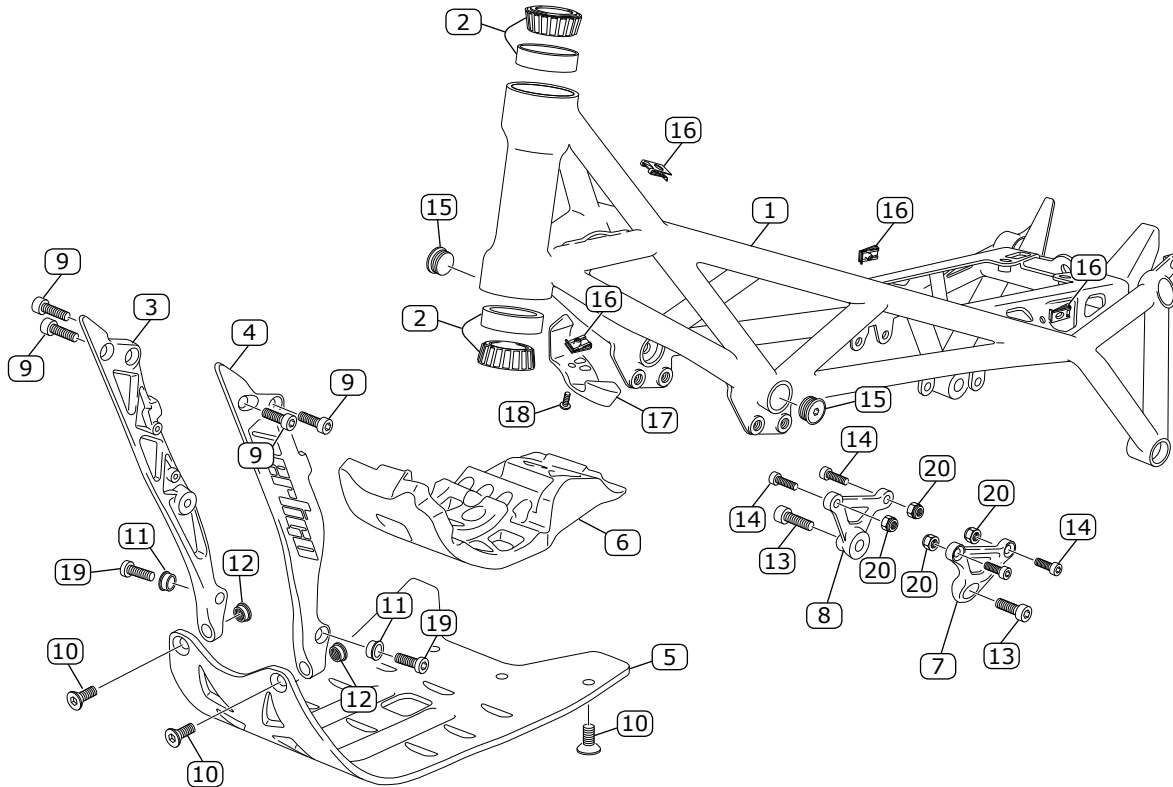




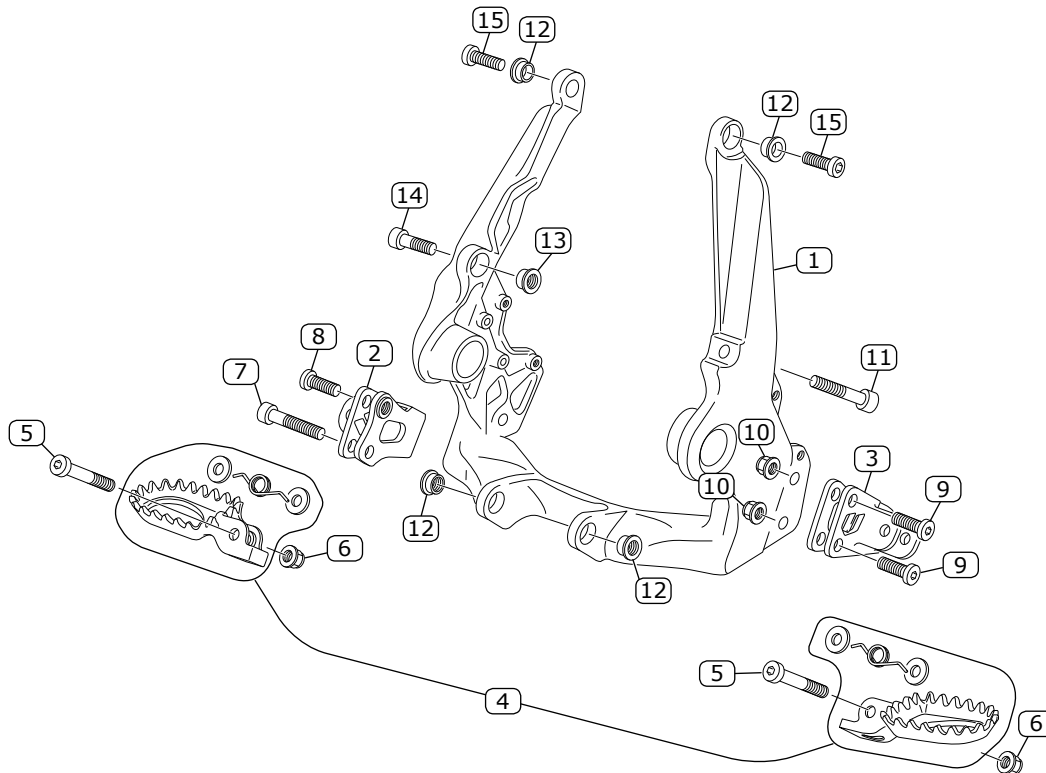
| POS. | COD. | DESCRIPCIÓN | DESCRIPTION | QTY. |
|------|--------|-------------------------------------|---------------------------------|------|
| 1 | V-0412 | CARETA RACING | LIGHT COVER | 1 |
| 2 | V-0409 | GUARDABARROS DELANTERO | FRONT MUDGUARD | 1 |
| 3 | V-0428 | PUENTE HORQUILLA | FRONT MUDGUARD HOLDER | 1 |
| 4 | V-0680 | TORNILLO ESPECIAL M6X14 8.8 | SPECIAL SCREW M6X14 8.8 | 6 |
| 5 | V-0440 | TORNILLO M5X6 ISO 7380 8.8 | SCREW M5X6 ISO 7380 8.8 | 2 |
| 6 | V-0407 | PROTECTOR DISCO FRENO DELANTERO | FRONT BRAKE DISC COVER | 1 |
| 7 | V-0463 | TORNILLO ESPECIAL M8X30 DIN6921 8.8 | SCREW M8X30 DIN6921 8.8 | 2 |
| 8 | V-1458 | PROTECTOR ESCAPE IZQUIERDO | LEFT EXHAUST PROTECTOR | 1 |
| 9 | V-1459 | PROTECTOR ESCAPE DERECHO | RIGHT EXHAUST PROTECTOR | 1 |
| 10 | V-0646 | TORNILLO M6X16 ISO 7380 8.8 | SCREW M6X16 ISO 7380-1 8.8 | 6 |
| 11 | V-0560 | TORNILLO M6X20 ISO 7380 8.8 | SCREW M6X20 ISO 7380 8.8 | 4 |
| 12 | V-0675 | CASQUILLO PROTECTOR ESCAPE | EXHAUST COVER SLEEVE | 4 |
| 13 | V-0417 | GOMA TOBERA-CAJA FILTRO | THROTTLE BODY MANIFOLD | 1 |
| 14 | V-0415 | CAJA FILTRO | AIRBOX | 1 |
| 15 | V-0420 | VALVULA CAJA FILTRO | AIRBOX VALVE | 1 |
| 16 | V-0813 | TORNILLO M6X12 ISO 7380-1 8.8 | SCREW M6X12 ISO 7380-1 8.8 | 4 |
| 17 | V-1314 | ESPUMA FILTRO AIRE TWIN AIR | TWIN AIR FILTER FOAM | 1 |
| 18 | V-1076 | REJILLA FILTRO AIRE | AIR FILTER GRID | 1 |
| 19 | V-0631 | TORICA 44X2,50 DIN 3771 | O-RING 44X2,5 DIN 3771 | 1 |
| 20 | V-1053 | TAPA CAJA FILTRO | AIR FILTER COVER | 1 |
| 21 | V-0679 | TUERCA RAPIDA TRT-M6 | FAST NUT TRT-M6 | 1 |
| 22 | V-1052 | GUARDABARROS TRASERO | REAR MUDGUARD | 1 |
| 23 | V-0572 | BASE CIERRE 1/4 VUELTA | CLOSE 1/4 TURN HOLDER | 1 |
| 24 | V-0414 | TAPA DEPÓSITO GASOLINA | FUEL TANK COVER | 1 |
| 25 | V-0809 | PASADOR TAPA DEPÓSITO GASOLINA | FUEL TANK COVER PIN | 1 |
| 26 | V-0571 | CIERRE 1/4 VUELTA | 1/4 TURN SCREW | 1 |
| 27 | V-0658 | ARANDELA NYLON | NYLON WASHER | 1 |
| 28 | V-0657 | RETEN ACERO INOX. CIERRE 1/4 VUELTA | 1/4 TURN STAINLESS STEEL WASHER | 1 |
| 29 | V-1026 | TORNILLO DE ROSCA CHAPA 3.9X13 | SCREW 3.9X13 | 2 |
| 30 | V-0832 | SOPORTE LED | LED SUPPORT | 1 |



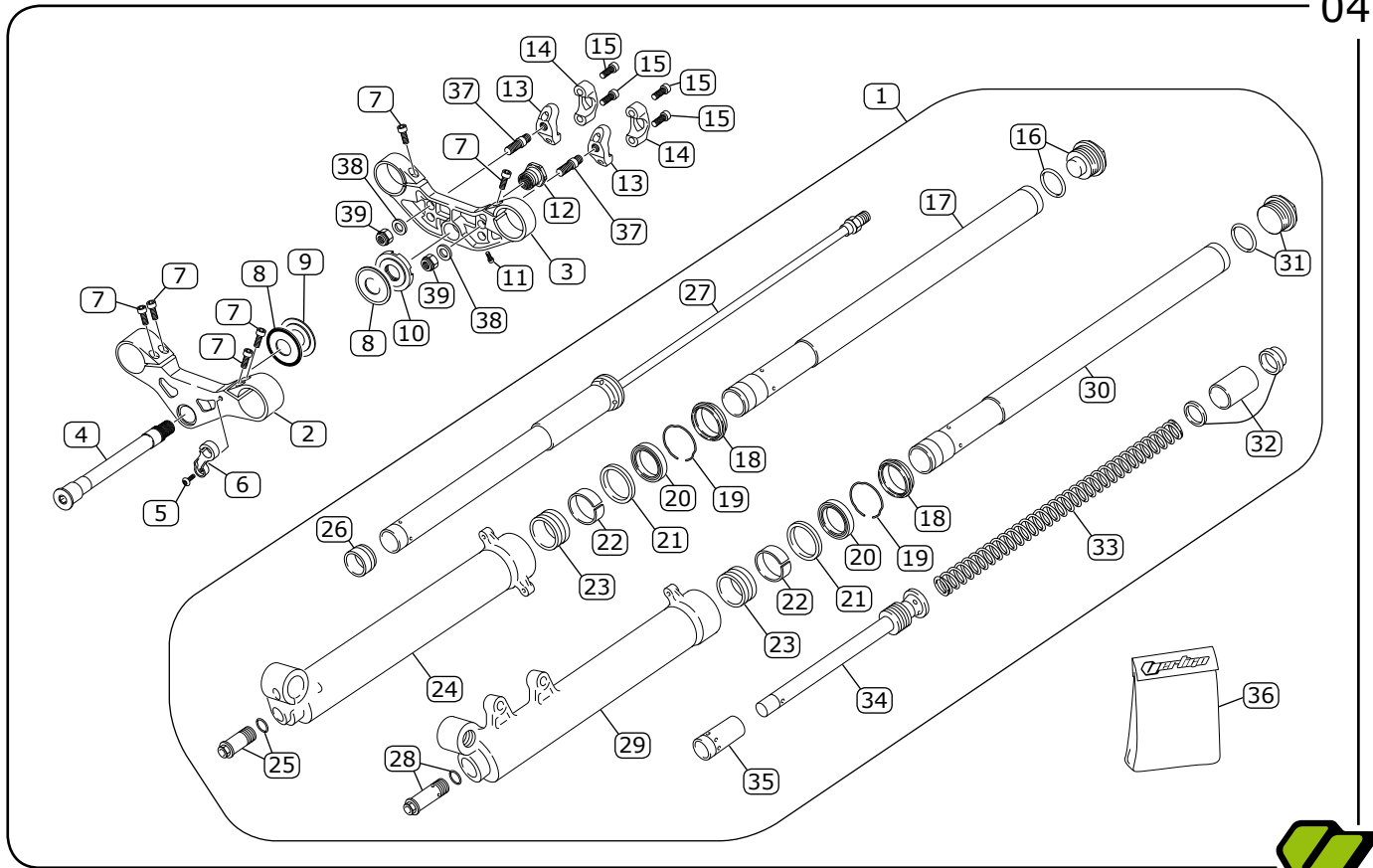
| POS. | COD. | DESCRIPCIÓN | DESCRIPTION | QTY. |
|------|--------|--------------------------------------|----------------------------|------|
| 31 | V-1405 | TORNILLO M6X20 ISO 7380-1 8.8 | SCREW M6X20 ISO 7380-1 8.8 | 1 |
| 32 | V-1050 | ASIENTO | SEATPOST | 1 |
| 33 | V-1097 | JUNTA TAPA CAJA FILTRO | AIRBOX O-RING | 1 |
| 34 | V-1251 | TORNILLO ROSCA CHAPA 4.2X18 DIN 7981 | SCREW 4.2X32 DIN 7981 | 2 |
| 35 | V-1051 | TAPA GUARDABARROS TRASERO | REAR MUDGUARD COVER | 1 |



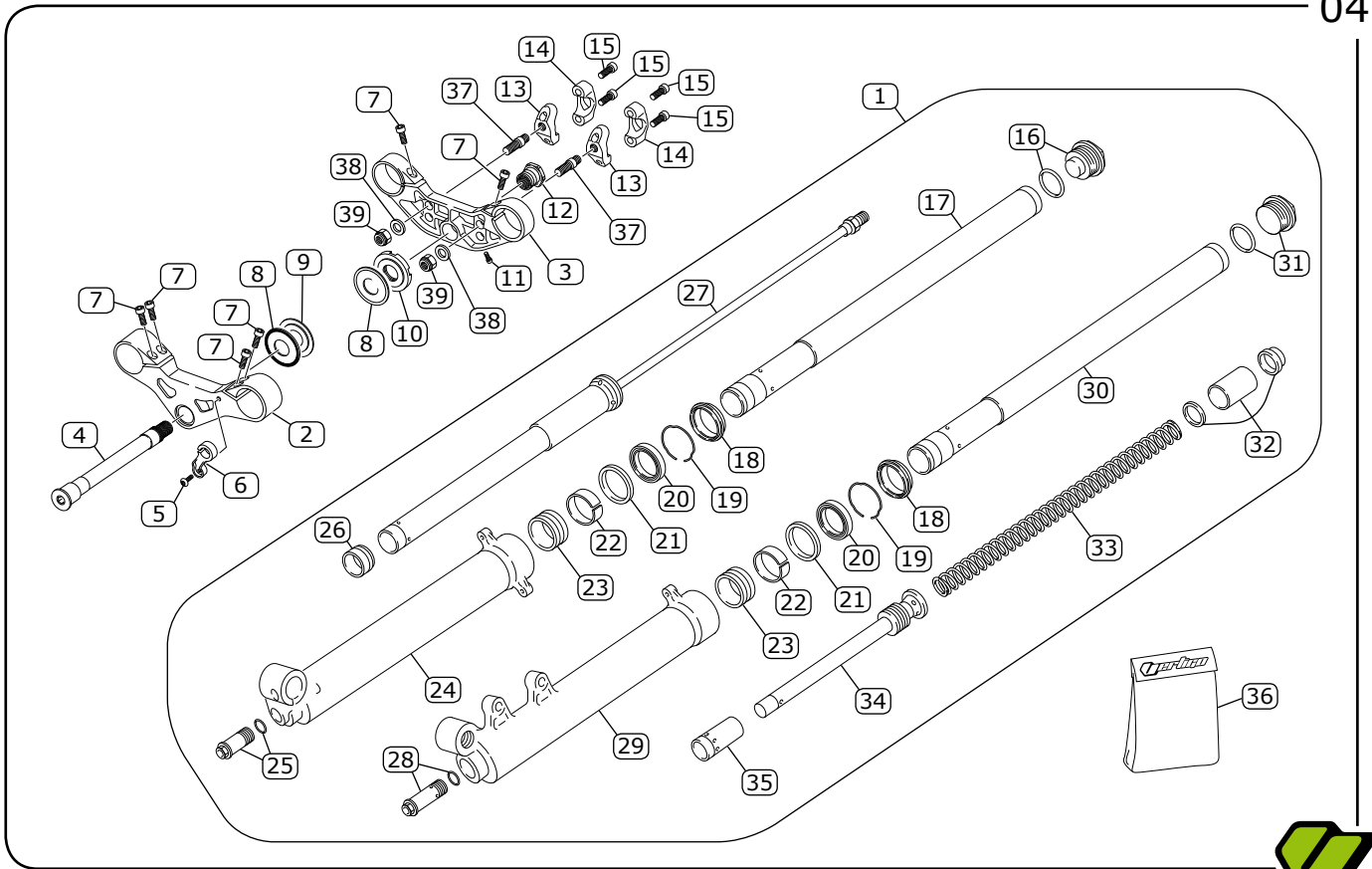
| POS. | COD. | DESCRIPCIÓN | DESCRIPTION | QTY. |
|------|--------|---|---------------------------------------|------|
| 1 | V-1413 | CHASIS TUBULAR 15CDV6 | COMBAT 15CDV6 TUBULAR FRAME | 1 |
| 2 | V-0280 | RODAMIENTO DIRECCIÓN 32004-X | BEARING 32004-X STEERING TUBE | 2 |
| 3 | V-0345 | SUBCHASIS DELANTERO DERECHO | FRONT RIGHT SUBFRAME | 1 |
| 4 | V-0346 | SUBCHASIS DELANTERO IZQUIERDO | FRONT LEFT SUBFRAME | 1 |
| 5 | V-1407 | PROTECTOR CARTER | SKID PLATE | 1 |
| 6 | V-1293 | GOMA PROTECTOR CARTER | SKID PLATE RUBBER | 1 |
| 7 | V-1513 | TIRANTE CILINDRO IZQUIERDO ALUM. BRONCE | ALUMINIUM BRONZE LEFT CYLINDER SUPP. | 1 |
| 8 | V-1512 | TIRANTE CILINDRO DERECHO ALUM. BRONCE | ALUMINIUM BRONZE RIGHT CYLINDER SUPP. | 1 |
| 9 | V-1043 | TORNILLO M8X15 DIN 912 8.8 | SCREW M8X15 DIN 912 8.8 | 4 |
| 10 | V-0456 | TORNILLO M8X16 DIN 7991 8.8 | SCREW M8X16 DIN 7991 8.8 | 6 |
| 11 | V-0328 | CASQUILLO SUBCHASIS DEL. | FRONT SUBFRAME SLEEVE | 2 |
| 12 | V-0327 | CASQUILLO ROSCADO SUBCHASIS DEL. | FRONT SUBFRAME THREADED SLEEVE | 2 |
| 13 | V-0458 | TORNILLO M8X20 DIN 912 8.8 | SCREW M8X20 DIN 912 8.8 | 2 |
| 14 | V-0462 | TORNILLO M6X16 DIN912 8.8 | SCREW M6X16 DIN912 8.8 | 4 |
| 15 | V-1457 | TAPÓN BASTIDOR TUBULAR BRONCE | TUBULAR FRAME CAP BRONZE | 2 |
| 16 | V-0653 | TUERCA RAPIDA TRT-M6-2 | FAST NUT TRT-M6-2 | 3 |
| 17 | V-0573 | TOPE DIRECCIÓN | STEERING STOP | 1 |
| 18 | V-0433 | TORNILLO M5X16 ISO7380 8.8 | SCREW M5X16 ISO7380 8.8 | 1 |
| 19 | V-0465 | TORNILLO M8X25 DIN 912 10.9 | SCREW M8X25 DIN 912 10.9 | 2 |
| 20 | V-0836 | TUERCA DIN 985 M6 | NUT DIN 985 M6 | 4 |



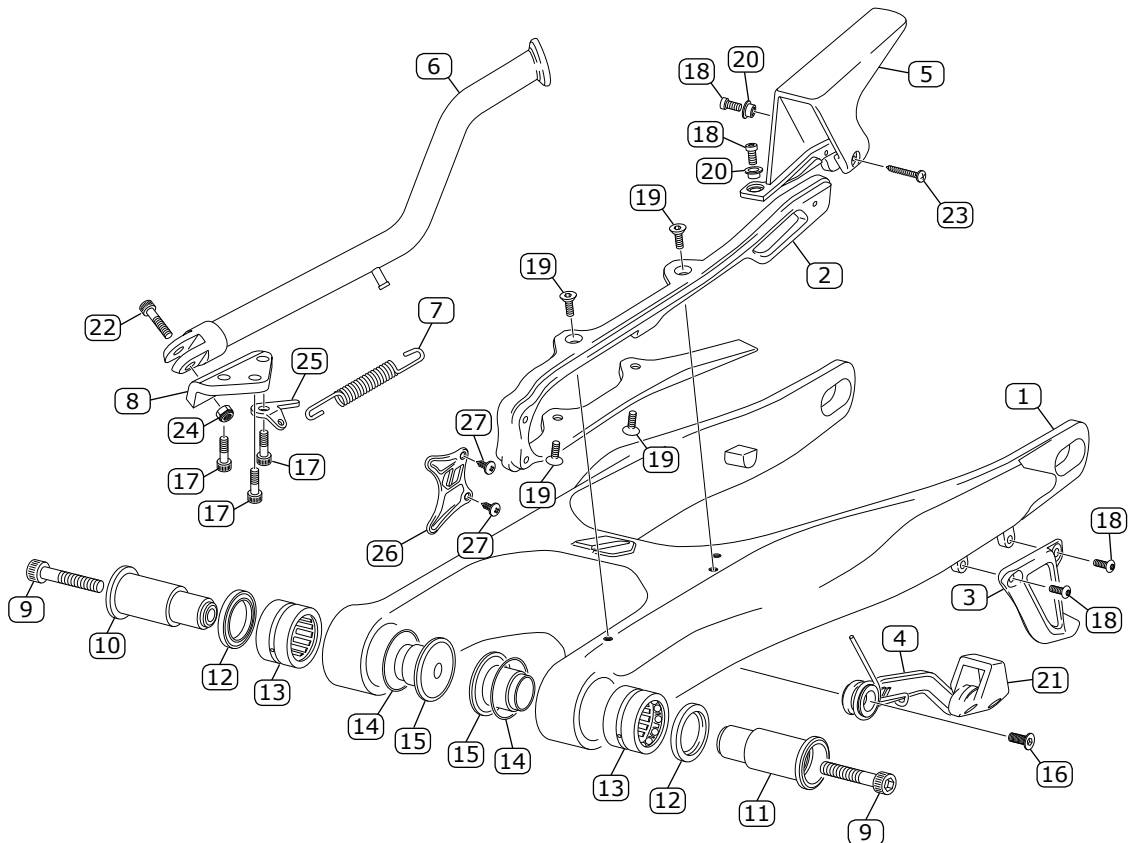
| POS. | COD. | DESCRIPCIÓN | DESCRIPTION | QTY. |
|------|--------|---------------------------------------|--------------------------------|------|
| 1 | V-0347 | SUBCHASIS TRASERO | REAR FRAME | 1 |
| 2 | V-0425 | SOPORTE ESTRIBERA DERECHO | RIGHT SIDE FOOTREST SUPPORT | 1 |
| 3 | V-0426 | SOPORTE ESTRIBERA IZQUIERDO | LEFT SIDE FOOTREST SUPPORT | 1 |
| 4 | V-1414 | JUEGO DE ESTRIBOS BRONCE | FOOTREST SET BRONZE | 1 |
| 5 | V-0469 | TORNILLO ESPECIAL M8X45 8.8 | SCREW M8X45 8.8 | 2 |
| 6 | V-0686 | TUERCA M8 AUTOBLOCANTE | M8 AUTOLOCK NUT | 2 |
| 7 | V-0466 | TORNILLO M8X50 DIN6912 10.9 | SCREW M8X50 DIN6912 10.9 | 1 |
| 8 | V-0443 | TORNILLO ESPECIAL M8X20 DIN 6912 10.9 | SCREW M8X20 DIN 6912 10.9 | 1 |
| 9 | V-0459 | TORNILLO ESPECIAL M8X28 DIN 6912 10.9 | SCREW M8X28 DIN 6912 10.9 | 2 |
| 10 | V-0471 | TUERCA M8 DIN 6923 | NUT M8 DIN 6923 | 2 |
| 11 | V-0468 | TORNILLO M8X45 DIN 912 10.9 | SCREW M8X45 DIN 912 10.9 | 1 |
| 12 | V-0392 | CASQUILLO PASANTE M10 | THROUGH SLEEVE M10 | 4 |
| 13 | V-0322 | CASQUILLO ROSCADO SOPORTE TRASERO M10 | REAR FRAME THREADED SLEEVE M10 | 1 |
| 14 | V-0455 | TORNILLO M10X16 DIN 912 10.9 | SCREW M10X16 DIN 912 10.9 | 1 |
| 15 | V-0253 | TORNILLO M10X30 DIN 6912 10.9 | SCREW M10X30 DIN912 10,9 | 2 |



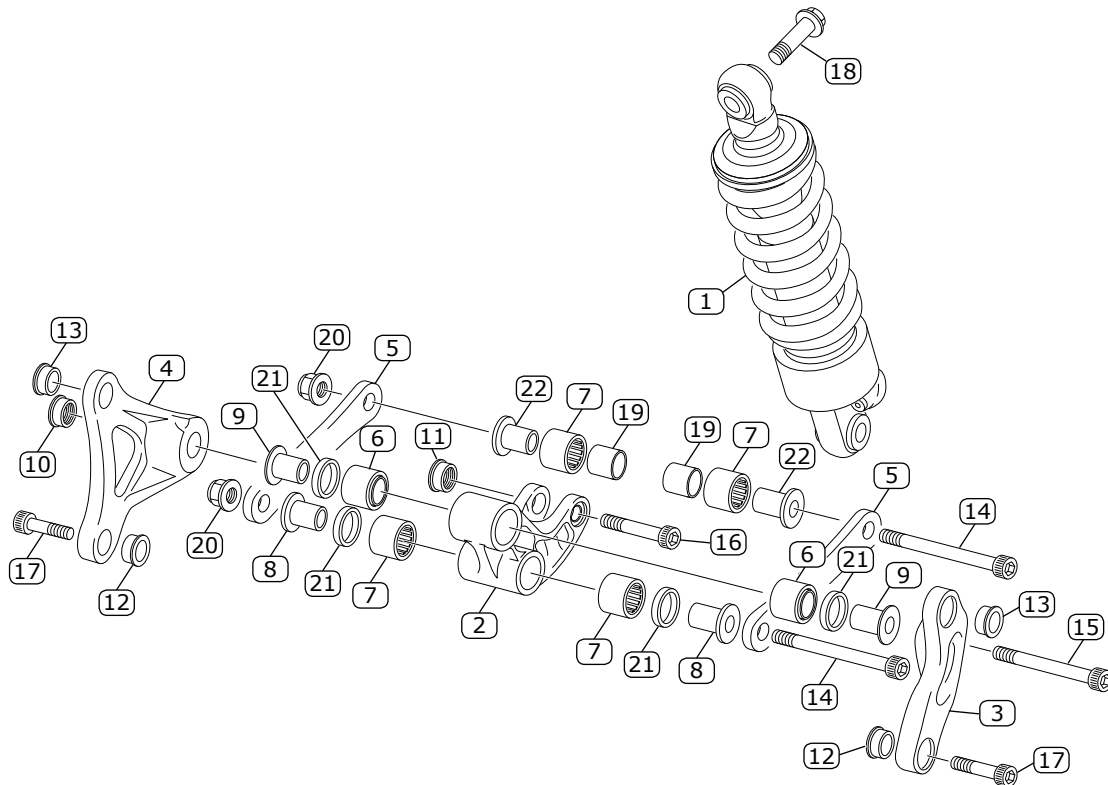
| POS. | COD. | DESCRIPCIÓN | DESCRIPTION | QTY. |
|------|--------|-------------------------------------|------------------------------------|------|
| 1 | V-0623 | HORQUILLA SUSPENSION TECH ALU ORO | TECH ALU GOLD FRONT FORK SET | 1 |
| 2 | V-0760 | PLATINA INFERIOR RACING | LOWER CLAMP RACING | 1 |
| 3 | V-0759 | PLATINA SUPERIOR RACING | UPPER CLAMP RACING | 1 |
| 4 | V-0516 | EJE DIRECCIÓN | STEERING AXLE | 1 |
| 5 | V-0444 | TORNILLO M6 X 10 MM | SCREW M6 X 10 MM | 1 |
| 6 | V-0519 | GUIA LATIGUILLO FRENO DEL. | BRAKE HOSE GUIDE | 1 |
| 7 | V-0447 | TORNILLO M6 X 20 MM | SCREW M6 X 20 MM | 6 |
| 8 | V-0541 | ARANDELA PROTECCIÓN DIRECCIÓN | STEERING PROTECTOR WASHER | 1 |
| 9 | V-0542 | ARANDELA DIRECCIÓN | STEERING WASHER | 1 |
| 10 | V-1456 | TUERCA DIRECCIÓN INF. BRONCE | LOWER STEERING NUT BRONZE | 1 |
| 11 | V-0643 | TORNILLO M5X6 DIN 912 8.8 | SCREW M5X6 DIN 912 8.8 | 1 |
| 12 | V-1455 | TUERCA DIRECCIÓN SUP. BRONZE | UPPER STEERING NUT BRONZE | 1 |
| 13 | V-0515 | BRIDA MANILLAR INF. | LOWER HANDLEBAR CLAMP | 2 |
| 14 | V-0514 | BRIDA MANILLAR SUP. | UPPER HANDLEBAR CLAMP | 2 |
| 15 | V-0461 | TORNILLO M8 X 25 MM | SCREW M8 X 25 MM | 4 |
| 16 | V-0980 | TAPÓN HORQUILLA DER. | RIGHT FORK CAP | 1 |
| 17 | V-0999 | BARRA HORQUILLA DERECHA | RIGHT STANCHION TUBE | 1 |
| 18 | V-0696 | GUARDAPOLVO SUSPENSIÓN DEL. | FRONT FORK DUST SEAL | 2 |
| 19 | V-0990 | ANILLO RETENCIÓN | RING STOPPER | 2 |
| 20 | V-0695 | RETÉN SUSPENSIÓN DEL. | FRONT FORK OIL SEAL | 2 |
| 21 | V-0991 | ANILLO RETENCIÓN RETÉN | RING STOP BUSHING OIL SEAL | 2 |
| 22 | V-0992 | COJINETE DE FRICCIÓN 39X43X15 | BUSH 39X43X15 | 2 |
| 23 | V-0993 | COJINETE DE FRICCIÓN 38X40X20 | BUSH 38X40X20 | 2 |
| 24 | V-1002 | BOTELLA DERECHA | RIGHT LEG | 1 |
| 25 | V-0995 | TORNILLO DE BLOQUEO HIDRÁULICO + AR | LOCK SCREW HYDRAULIC PUMP + WASHER | 1 |
| 26 | V-0996 | CONO TOPE DERECHO | CONE LIMIT RIGHT | 1 |
| 27 | V-0997 | CARTUCHO | CARTRIDGE | 1 |
| 28 | V-0989 | TORNILLO REGULACIÓN AGUJA + AR | NEEDLE REGULATION SCREW + WASHER | 1 |
| 29 | V-1001 | BOTELLA IZQUIERDA | LEFT LEG | 1 |
| 30 | V-1000 | BARRA HORQUILLA IZQUIERDA | LEFT STANCHION TUBE | 1 |



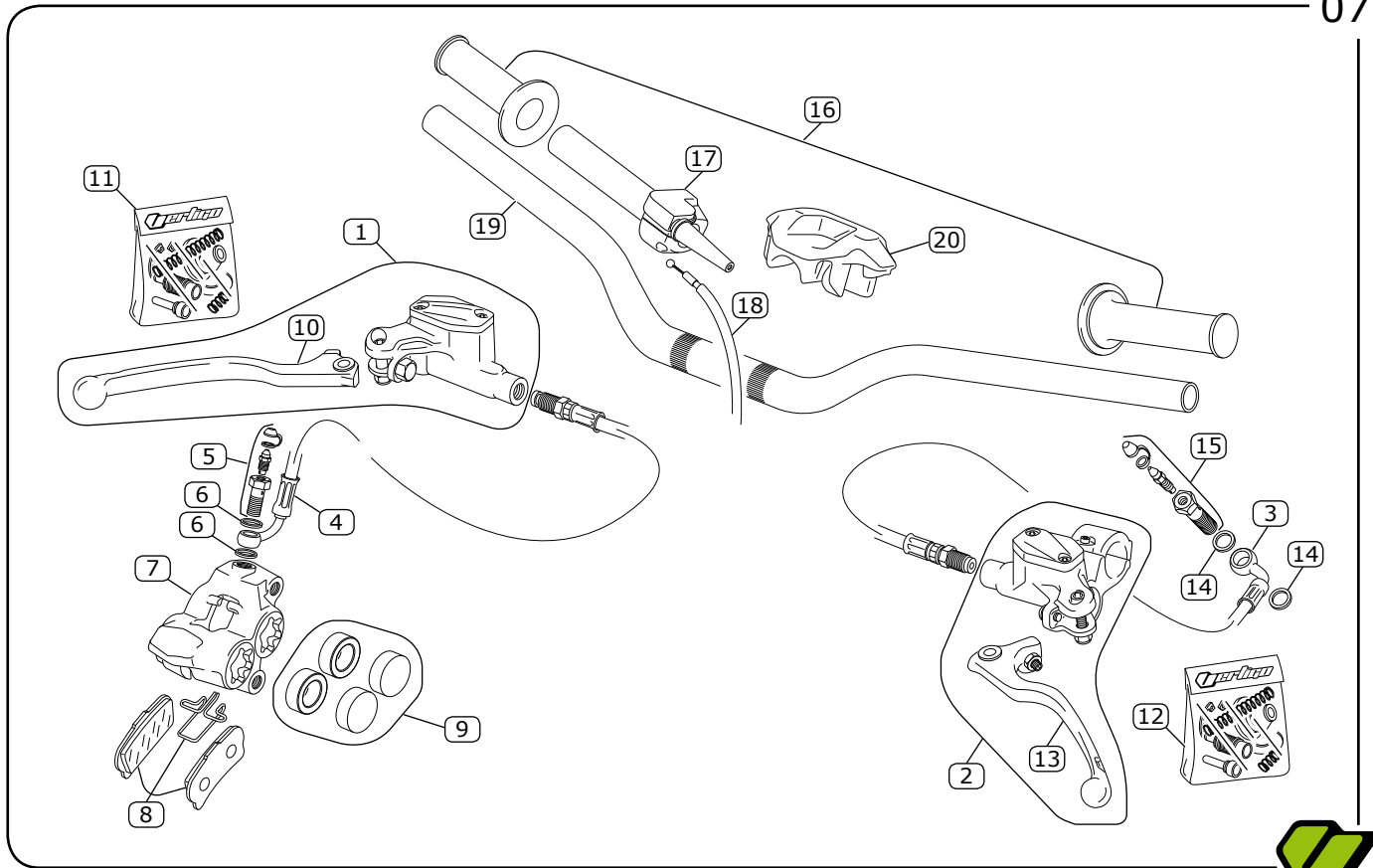
| POS. | COD. | DESCRIPCIÓN | DESCRIPTION | QTY. |
|------|--------|------------------------------|----------------------|------|
| 31 | V-0981 | TAPÓN HORQUILLA IZQUIERDA | LEFT FORK CAP | 1 |
| 32 | V-0984 | ESPACIADORES MUELLE | SPACERS SPRING | 1 |
| 33 | V-0985 | MUELLE | SPRING | 1 |
| 34 | V-0986 | BOMBA MECÁNICA | MECHANICAL PUMP | 1 |
| 35 | V-0987 | CONO TOPE IZQUIERDO | CONE LIMIT LEFT | 1 |
| 36 | V-0998 | KIT JUNTAS TAPONES HORQUILLA | FORK CAP WASHERS KIT | 1 |
| 37 | V-1030 | ESPÁRAGO ESPECIAL M10 8.8 | M10 STUD 8.8 | 2 |
| 38 | V-1037 | ARANDELA DIN 125 M10 | M10 DIN 125 WASHER | 2 |
| 39 | V-1029 | TUERCA M10 AUTOBLOCANTE | M10 AUTOLOCK NUT | 2 |



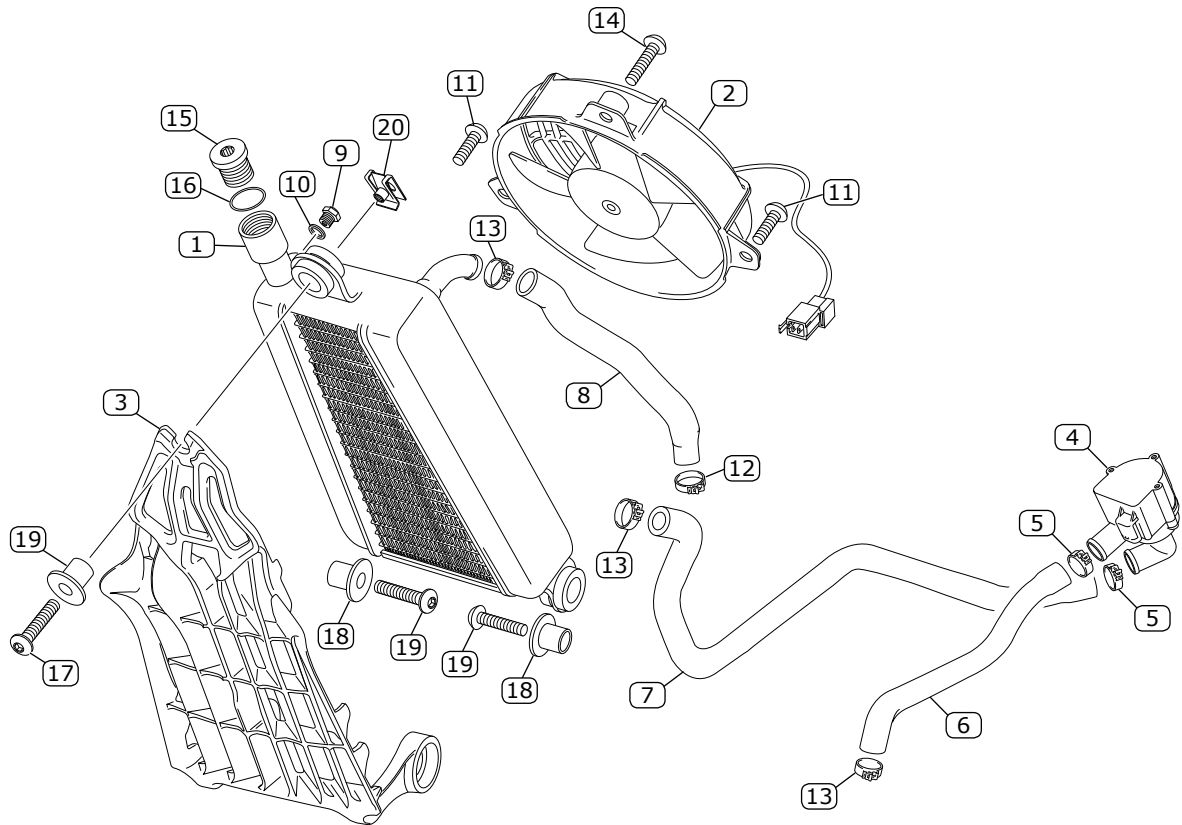
| POS. | COD. | DESCRIPCIÓN | DESCRIPTION | QTY. |
|------|--------|--|-------------------------------------|------|
| 1 | V-0876 | BASCULANTE ALUMINIO BLANCO | WHITE ALUMINIUM SWINGARM | 1 |
| 2 | V-0521 | PATÍN CADENA | GUIDE CHAIN | 1 |
| 3 | V-0508 | PROTECTOR CORONA | SPROCKET PROTECTOR | 1 |
| 4 | V-1285 | CONJUNTO TENSOR CADENA VERDE | CHAIN TENSIONER SET GREEN | 1 |
| 5 | V-0522 | CUBRECADENA | CHAIN COVER | 1 |
| 6 | V-0400 | CABALLETE | LATERAL STAND | 1 |
| 7 | V-0401 | MUELLE CABALLETE | STAND SPRING | 1 |
| 8 | V-0423 | SOPORTE CABALLETE | SUPPORT STAND | 1 |
| 9 | V-1017 | TORNILLO M10X62 DIN 912 12.9 | SCREW M10x62 DIN 912 12.9 | 2 |
| 10 | V-1473 | SEMIEJE BASCULANTE DERECHO BRONCE | RIGHT SIDE SWINGARM SEMIAXIS BRONZE | 1 |
| 11 | V-1474 | SEMIEJE BASCULANTE IZQUIERDO BRONCE | LEFT SIDE SWINGARM SEMIAXIS BRONZE | 1 |
| 12 | V-0338 | RETEN 25X35X5 EJE BASCULANTE | SWINGARM LIP SEAL 25x35x5 | 2 |
| 13 | V-0281 | RODAMIENTO AGUJAS COMBINADO NKIA5904 | COMBINED NEEDLE BEARING NKIA5904 | 2 |
| 14 | V-0629 | JUNTA TÓRICA 31X2 EJE BASCULANTE | O-RING 31x2 SWINGARM SHAFT | 2 |
| 15 | V-0567 | PROTECTOR RODAMIENTO BASCULANTE | SWINGARM BEARING PROTECTOR | 2 |
| 16 | V-0467 | TORNILLO ESPECIAL M10X40 DIN 6921 10.9 | SCREW M10x40 DIN 6921 10.9 | 1 |
| 17 | V-0908 | TORNILLO M8X20 DIN 6912 | SCREW M8x20 DIN 6912 | 3 |
| 18 | V-0556 | TORNILLO M5X10 ISO7380 10.9 | SCREW M5x10 ISO7380 10.9 | 4 |
| 19 | V-0457 | TORNILLO M5X10 DIN7991 10.9 | SCREW M5x10 DIN7991 10.9 | 4 |
| 20 | V-0568 | CASQUILLO PROTECTOR CADENA | CHAIN PROTECTOR SLEEVE | 2 |
| 21 | V-1298 | GOMA TENSOR CADENA VERDE | CHAIN GUIDE RUBBER GREEN | 1 |
| 22 | V-0459 | TORNILLO ESPECIAL M8X28 DIN 6912 10.9 | SCREW M8x28 DIN 6912 10.9 | 1 |
| 23 | V-0683 | TORNILLO ROSCA CHAPA M4.2 X 32 MM | SCREW M4.2 X 32 mm | 1 |
| 24 | V-0470 | TUERCA M8 DIN 985 AUTOBLOCANTE | NUT M8 DIN 985 AUTO LOCK | 1 |
| 25 | V-1196 | SOPORTE MUELLE CABALLETE | SIDESTAND SPRING SUPPORT | 1 |
| 26 | V-0973 | PROTECTOR PIÑON CADENA CARTER | FRONT SPROCKET CHAIN PROTECTOR | 1 |
| 27 | V-1251 | TORNILLO ROSCA CHAPA 4.2X18 DIN 7981 | SCREW 4.2x32 DIN 7981 | 2 |



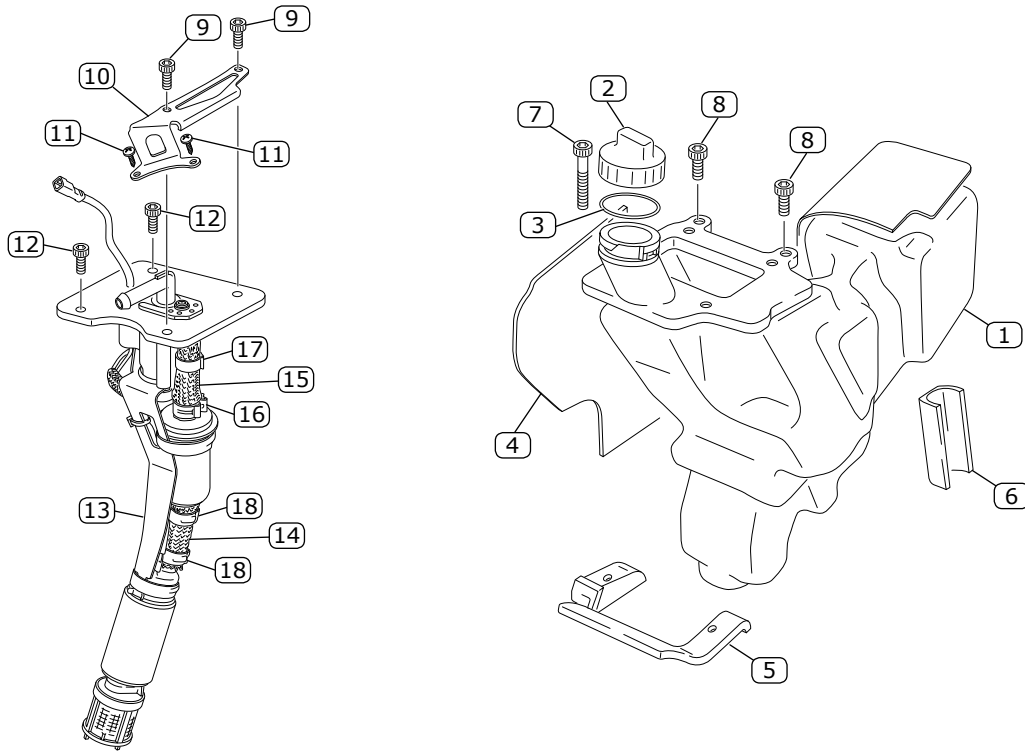
| POS. | COD. | DESCRIPCIÓN | DESCRIPTION | QTY. |
|------|--------|--|---|------|
| 1 | V-1345 | AMORTIG. REIGER SINGLE COMPR. 80N/MM | REIGER SHOCK ABS. SINGLE COMPR. SPRING 80NM | 1 |
| 2 | V-1181 | TRAPECIO SUSPENSIÓN LINEAL | LINEAR SUSPENSION ROCKER | 1 |
| 3 | V-0397 | TRIANGULO SUSPENSIÓN IZQ. | LEFT LINKAGE SUPPORT | 1 |
| 4 | V-0398 | TRIANGULO SUSPENSIÓN DERECHO | RIGHT LINKAGE SUPPORT | 1 |
| 5 | V-1182 | TIRANTE SUSPENSIÓN | TIE LINEAR SUSPENSION LINKAGE | 2 |
| 6 | V-0575 | CASQUILLO AGUJAS HK-1616 2RS | NEEDLE CAP HK-1616 2RS | 2 |
| 7 | V-0282 | CASQUILLO AGUJAS HK-1620 2RS | NEEDLE CAP HK-1620 2RS | 4 |
| 8 | V-1218 | CASQUILLO TRAPECIO BASCULANTE LINEAL | LINEAR ROCKER SLEEVE | 2 |
| 9 | V-1200 | CASQUILLO TRAPECIO-TRIANGULOS LINEAL | LINEAR TIE ROD-LINKAGE SLEEVE | 2 |
| 10 | V-0577 | CASQUILLO ROSCADO TRAPECIO M10 | TIE ROD M10 THREADED SLEEVE | 1 |
| 11 | V-0322 | CASQUILLO ROSCADO TRAPECIO-AMORT | TIE ROD THREADED SLEEVE TIE ROD-SHOCK | 1 |
| 12 | V-0661 | CASQUILLO TRAPECIO INFERIOR | LOWER TIE ROD SLEEVE | 2 |
| 13 | V-0576 | CASQUILLO TRAPECIO SUPERIOR | UPPER TIE ROD SLEEVE | 1 |
| 14 | V-0431 | TORNILLO ESPECIAL M10X80 DIN 912 12.9 | SCREW M10X80 DIN 912 12.9 | 2 |
| 15 | V-0255 | TORNILLO ESPECIAL M10X70 DIN 912 12.9 | SCREW M10X35 DIN 912 12.9 | 2 |
| 16 | V-0256 | TORNILLO ESPECIAL M10X40 DIN 7984 12.9 | SCREW M10X40 DIN 7984 | 1 |
| 17 | V-0254 | TORNILLO M10 X 33 MM | TORNILLO ESPECIAL M10X33 DIN 912 12.9 | 2 |
| 18 | V-0467 | TORNILLO ESPECIAL M10X40 DIN 6921 10.9 | SCREW M10X40 DIN 6921 10.9 | 1 |
| 19 | V-0343 | ANILLO INTERIOR IR 121622 | INNER RING IR 121512 | 4 |
| 20 | V-0565 | TUERCA M10 DIN 6923 | M10 NUT DIN 6923 | 2 |
| 21 | V-1235 | RETEN 22X16X4 TRAPECIO LINEAL | LIP SEAL 22X16X4 LINEAR SUSPENSION ROCKER | 4 |
| 22 | V-0324 | CASQUILLO BASCULANTE-TIRANTE | SLEEVE SWINGARM - TIE ROD | 2 |



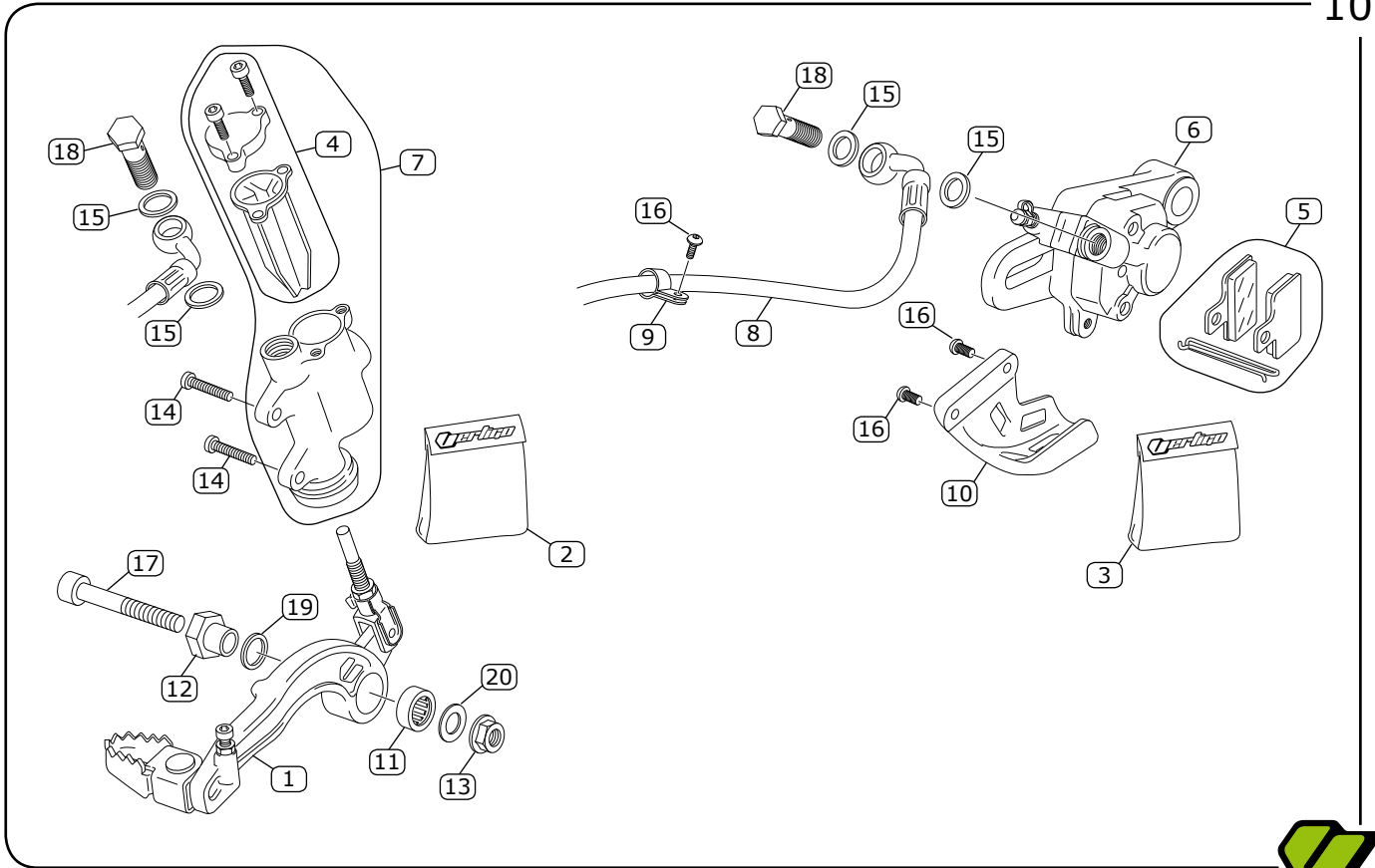
| POS. | COD. | DESCRIPCIÓN | DESCRIPTION | QTY. |
|------|--------|--------------------------------------|---------------------------------|------|
| 1 | V-0365 | CTO. BOMBA FRENO DELANTERA | FRONT BRAKE PUMP SET | 1 |
| 2 | V-1393 | CTO. BOMBA EMBRAGUE | CLUTCH PUMP SET | 1 |
| 3 | V-0355 | LATIGUILLO EMBRAGUE | CLUTCH HOSE | 1 |
| 4 | V-0364 | LATIGUILLO FRENO DELANTERO | FRONT BRAKE HOSE | 1 |
| 5 | V-0723 | RACOR FRENO DELANTERO | RACORD FRONT BRAKE | 1 |
| 6 | V-0724 | ARANDELA BANJO | BANJO WASHER | 2 |
| 7 | V-0363 | PINZA FRENO DELANTERA | FRONT BRAKE CALIPER | 1 |
| 8 | V-0362 | PASTILLAS FRENO DELANTERAS | FRONT BRAKE PADS | 1 |
| 9 | V-0968 | KIT REPARAC. PISTÓN PINZA FRENO DEL. | FRONT CALIPER PISTON REPAIR KIT | 1 |
| 10 | V-0366 | MANETA FRENO DELANTERA | FRONT BRAKE LEVER | 1 |
| 11 | V-0367 | KIT REPARACIÓN BOMBA FRENO DELANTERA | FRONT BRAKE PUMP REPAIR KIT | 1 |
| 12 | V-0370 | KIT REPARACIÓN BOMBA EMBRAGUE | CLUTCH PUMP REPAIR KIT | 1 |
| 13 | V-0722 | MANETA EMBRAGUE | CLUTCH LEVER | 1 |
| 14 | V-0611 | ARANDELA ALU. RACORD EMBRAGUE | CLUTCH RACORD ALUMINIUM WASHER | 2 |
| 15 | V-0610 | RACOR M10 EMBRAGUE | RACORD M10 CLUTCH | 1 |
| 16 | V-0390 | JUEGO PUÑOS RENTHAL | RENTHAL GRIPS SET | 1 |
| 17 | V-0303 | MANDO GAS | THROTTLE | 1 |
| 18 | V-0396 | CABLE GAS | THROTTLE WIRE | 1 |
| 19 | V-0627 | MANILLAR RENTHAL | RENTHAL HANDLEBAR | 1 |
| 20 | V-1270 | PROTECTOR MANILLAR RENTHAL | HANDLEBAR RENTHAL PROTECTOR | 1 |



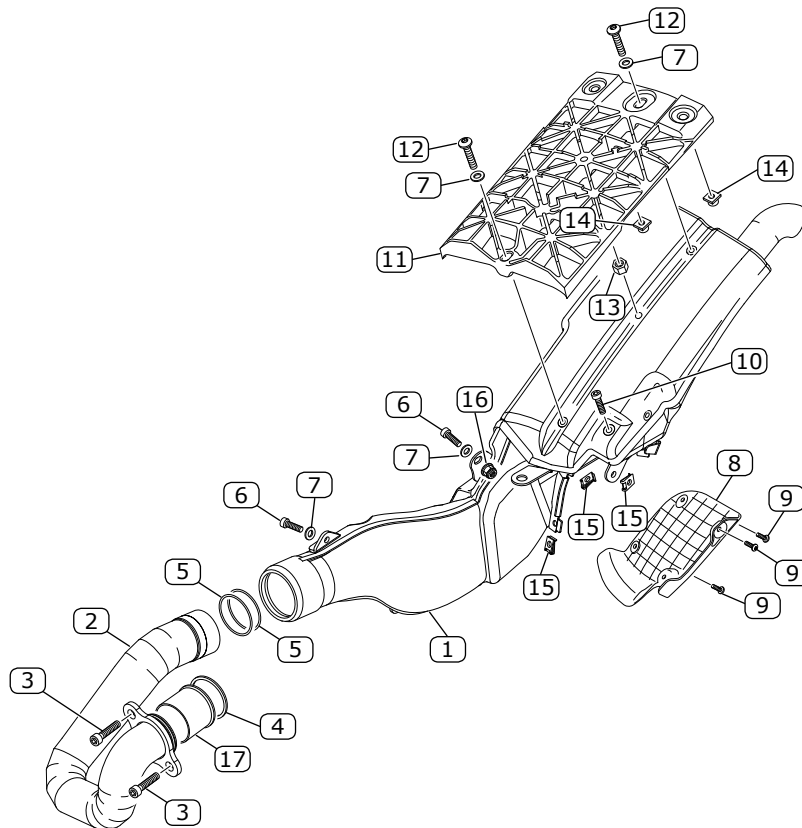
| POS. | COD. | DESCRIPCIÓN | DESCRIPTION | QTY. |
|------|--------|--------------------------------|------------------------------------|------|
| 1 | V-0926 | RADIADOR | RADIATOR | 1 |
| 2 | V-0360 | VENTILADOR | FAN | 1 |
| 3 | V-0507 | REJILLA RADIADOR | RADIATOR GRILL | 1 |
| 4 | V-0402 | BOMBA DE AGUA | WATER PUMP | 1 |
| 5 | V-1008 | ABRAZADERA COBRA 25/8 | COBRA CLAMP 25/8 | 2 |
| 6 | V-0923 | TUBO AGUA (BOMBA - CARTER) | COOLANT HOSE (PUMP - CRANKCASE) | 1 |
| 7 | V-0922 | TUBO AGUA (RADIADOR - BOMBA) | COOLANTHOSE (RADIATOR - PUMP) | 1 |
| 8 | V-0546 | TUBO SUP. RADIADOR-CULATA | COOLANT HOSE RADIATO-CYLINDER HEAD | 1 |
| 9 | V-0796 | VÁLVULA RADIADOR | RADIATOR VALVE | 1 |
| 10 | V-1063 | ARANDELA ALUMINIO 8X12X1.5 | ALUMINIUM WASHER 8X12X1.5 | 1 |
| 11 | V-0444 | TORNILLO M6X10 ISO 7380 8.8 | SCREW M6X10 ISO 7380 8.8 | 2 |
| 12 | V-0588 | ABRAZADERA COBRA 22/8 | COBRA CLAMP 22/8 | 1 |
| 13 | V-0587 | ABRAZADERA COBRA 18/8 | COBRA CLAMP 18/8 | 3 |
| 14 | V-0560 | TORNILLO M6X20 ISO 7380 8.8 | SCREW M6X20 ISO 7380 8.8 | 1 |
| 15 | V-0974 | TAPÓN RADIADOR | RADIATOR CAP | 1 |
| 16 | V-0979 | JUNTA TAPON RADIADOR | RADIATOR CAP O-RING | 1 |
| 17 | V-1054 | TORNILLO M6X40 DIN 912 10.9 | SCREW M6X40 DIN 912 10.9 | 1 |
| 18 | V-1006 | CASQUILLO SILENTBLOCK RADIADOR | RADIATOR SILENTBLOCK SLEEVE | 3 |
| 19 | V-0447 | TORNILLO M6X20 DIN 912 8.8 | SCREW M6X20 DIN 912 8.8 | 2 |
| 20 | V-0679 | TUERCA RAPIDA TRT-M6-2 | FAST NUT TRT-M6-2 | 1 |



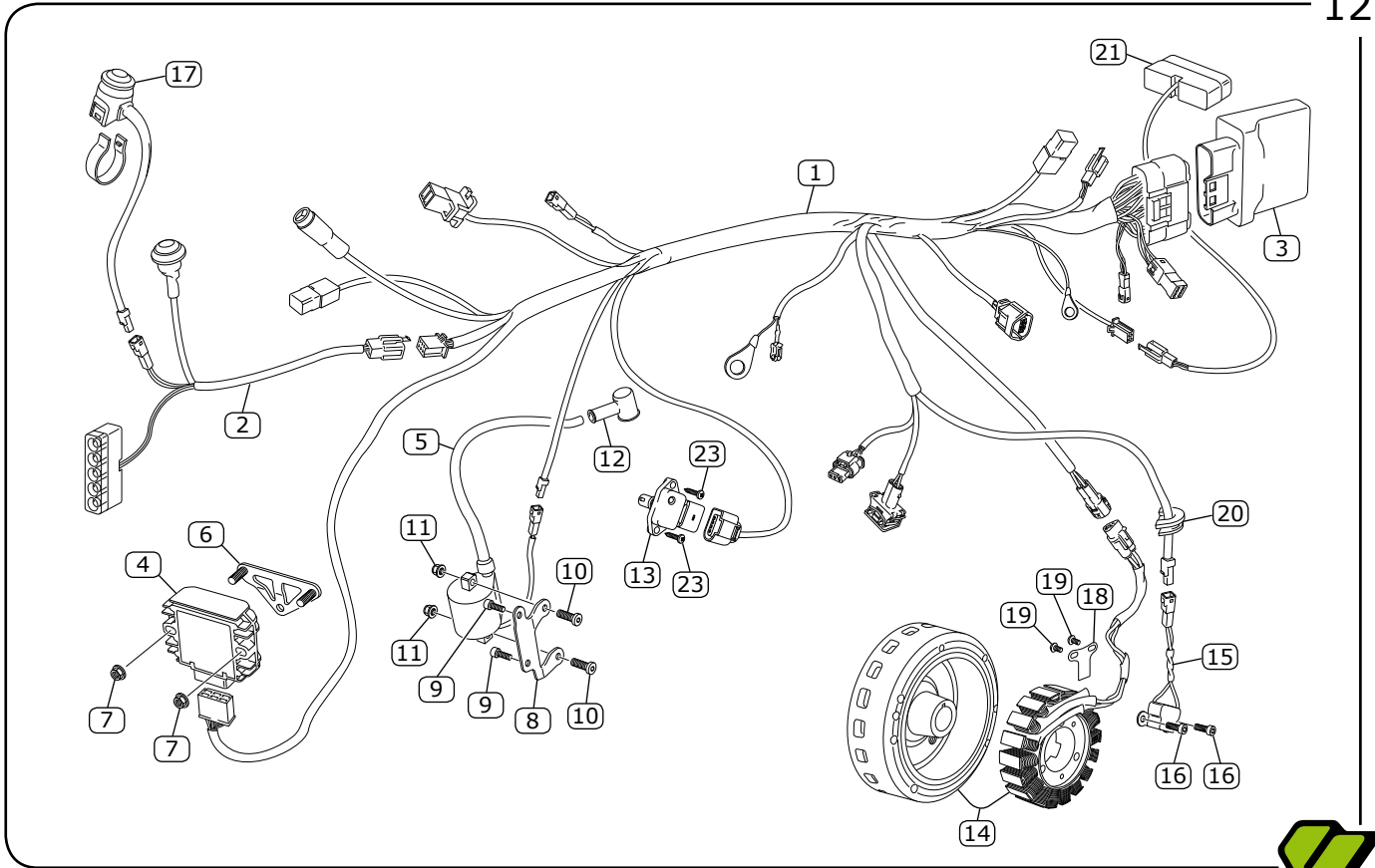
| POS. | COD. | DESCRIPCIÓN | DESCRIPTION | QTY. |
|------|--------|---------------------------------------|--------------------------------|------|
| 1 | V-1062 | DEPÓSITO GASOLINA TRANSPARENTE | TRANSPARENT FUEL TANK | 1 |
| 2 | V-0535 | TAPÓN DEPÓSITO GASOLINA | FUEL TANK CAP | 1 |
| 3 | V-0799 | JUNTA TÓRICA TAPÓN DEPÓSITO | FUEL TANK CAP O-RING | 1 |
| 4 | V-0833 | CTO. ADHESIVO PROTECTOR TÉRMICO | TERMIC STICKER KIT | 1 |
| 5 | V-0530 | GOMA INFERIOR SOPORTE DEPOSITO | LOWER FUEL TANK RUBBER SUPPORT | 1 |
| 6 | V-0531 | GOMA LATERAL DEPÓSITO GASOLINA | FUEL TANK RUBBER SUPPORT | 1 |
| 7 | V-0555 | TORNILLO M5X30 DIN 912 | SCREW M5X30 DIN 912 | 1 |
| 8 | V-0554 | TORNILLO M5X10 DIN 6912 8.8 | SCREW M5X10 DIN 6912 8.8 | 2 |
| 9 | V-0433 | TORNILLO M5X16 ISO7380 8.8 | SCREW M5X16 ISO7380 8.8 | 2 |
| 10 | V-0913 | SOPORTE BOMBA DE AGUA | WATER PUMP SUPPORT | 1 |
| 11 | V-1026 | TORNILLO DE ROSCA 3.9 X 13 | SCREW 3.9 X 13 | 2 |
| 12 | V-0556 | TORNILLO M5X12 ISO 7830 8.8 | SCREW M5X12 ISO 7830 8.8 | 2 |
| 13 | V-1192 | CONJUNTO BOMBA GASOLINA 2017 | PETROL PUMP SET 2017 | 1 |
| 14 | V-1060 | TUBO GASOLINA DE BOMBA A FILTRO | PETROL HOSE PUMP-FILTER | 1 |
| 15 | V-1061 | TUBO GAS. FILTRO A VALVULA DE PRESION | PETROL HOSE FILTER-VALVE | 1 |
| 16 | V-1248 | ABRAZADERA CLIK INOX-A2 W4 D-12 | INOX CLICK CLAMP A2 W4 D-12 | 1 |
| 17 | V-1266 | BRIDA COBRA 11,0/7 | COBRA CLAMP 11,0/7 | 1 |
| 18 | V-0838 | ABRAZADERA CLICK INOX X-A2 W-4 D-13 | INOX CLICK CLAMP X-A2 W-4 D-13 | 2 |



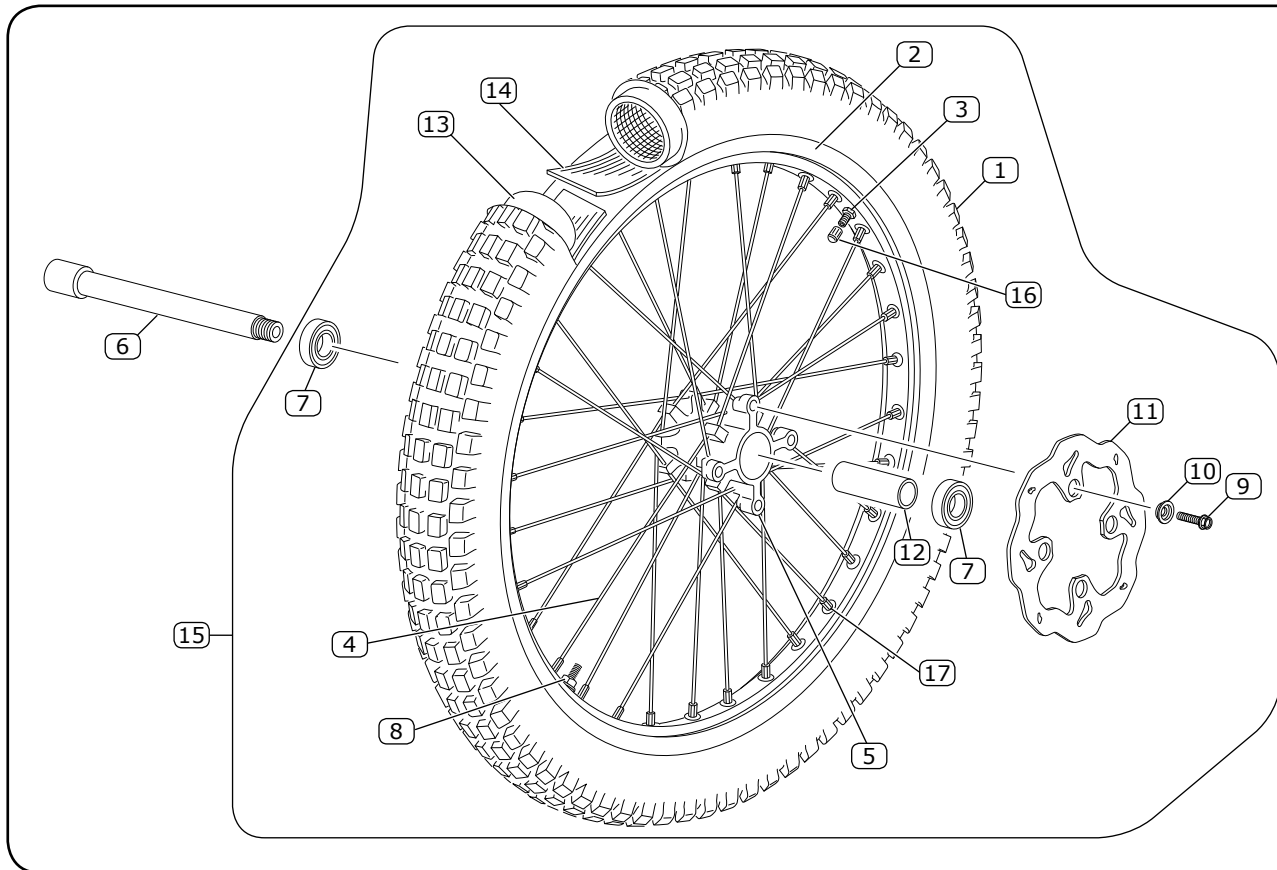
| POS. | COD. | DESCRIPCIÓN | DESCRIPTION | QTY. |
|------|--------|------------------------------------|-------------------------------|------|
| 1 | V-0294 | PEDAL FRENO | BRAKE PEDAL | 1 |
| 2 | V-0369 | KIT REPARACIÓN BOMBA FRENO TRASERO | REAR BRAKE PUMP REPAIR KIT | 1 |
| 3 | V-0963 | KIT REPARACIÓN PINZA FRENO TRASERA | REAR BRAKE CALIPER REPAIR KIT | 1 |
| 4 | V-0964 | KIT TAPA BOMBA FRENO TRASERO | REAR BRAKE PUMP COVER KIT | 1 |
| 5 | V-0368 | PASTILLAS DE FRENO TRASERAS | REAR BRAKE PADS | 1 |
| 6 | V-0352 | PINZA FRENO TRASERO | REAR BRAKE CALIPER | 1 |
| 7 | V-0351 | BOMBA FRENO TRASERO | REAR BRAKE PUMP | 1 |
| 8 | 0-0353 | LATIGUILLO FRENO TRASERO | REAR BRAKE HOSE | 1 |
| 9 | V-0590 | GRAPA SUJECIÓN LATIGUILLO | HOSE FASTENER CLIP | 1 |
| 10 | V-0513 | PROTECTOR DISCO FRENO TRASERO | REAR BRAKE DISC PROTECTOR | 1 |
| 11 | V-0405 | RODAMIENTO PEDAL FRENO | BRAKE PEDAL BEARING | 1 |
| 12 | V-0404 | CASQUILLO HEXAGONAL | HEXAGONAL CAP | 1 |
| 13 | V-0685 | TUERCA M8 DIN 985 AUTOBLOCANTE | NUT M8 DIN 985 AUTOLOCK | 1 |
| 14 | V-0561 | TORNILLO M6X25 DIN 7984 8.8 | SCREW M6X25 DIN 7984 8.8 | 2 |
| 15 | V-1009 | ARANDELA BANJO FRENO TRASERO | REAR BRAKE BANJO WASHER | 4 |
| 16 | V-0556 | TORNILLO M6X10 ISO 7380 8.8 | SCREW M6X10 ISO 7380 8.8 | 1 |
| 17 | V-0466 | TORNILLO M8X50 DIN6912 10.9 | SCREW M8X50 DIN6912 10.9 | 1 |
| 18 | V-1010 | RACOR FRENO TRASERO | REAR BRAKE RACOR | 1 |
| 19 | V-1009 | ARANDELA DIN 125 12X24X2.5 | WASHER DIN 125 12X24X2.5 | 1 |
| 20 | V-0874 | ARANDELA M8 | WASHER M8 | 1 |



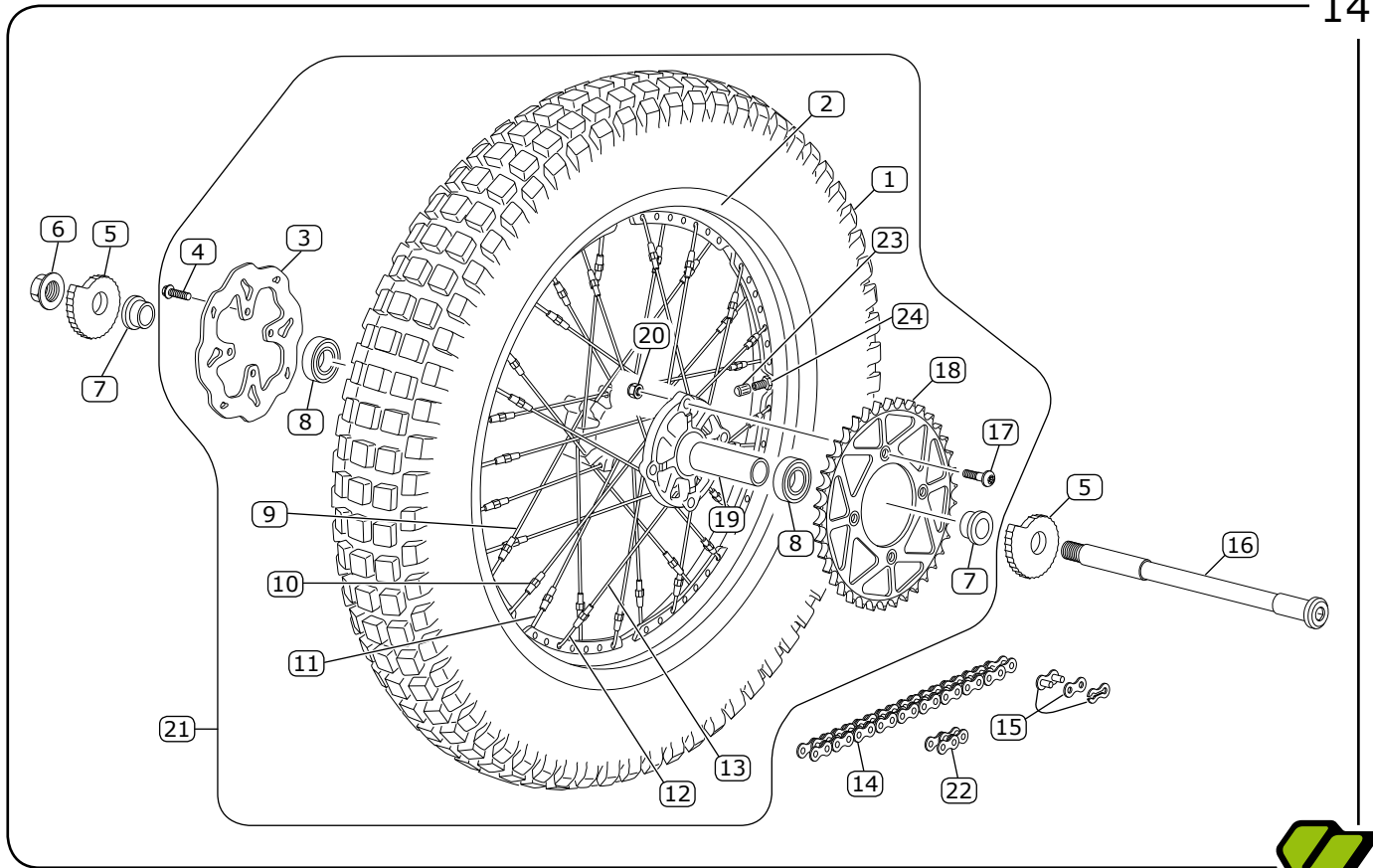
| POS. | COD. | DESCRIPCIÓN | DESCRIPTION | QTY. |
|------|--------|--------------------------------|--------------------------|------|
| 1 | V-1075 | SILENCIADOR | SILENCER | 1 |
| 2 | V-1462 | COLECTOR ESCAPE TITANIO | TITANIUM EXHAUST | 1 |
| 3 | V-0447 | TORNILLO M6X20 DIN 912 8.8 | SCREW M6X20 DIN 912 8.8 | 2 |
| 4 | V-0386 | JUNTA TÓRICA SILENCIADOR | MUFFLER O-RING | 2 |
| 5 | V-0512 | JUNTA ESCAPE 38X45.2X5.5 | EXHAUST SEAL 38X45.2X5.5 | 1 |
| 6 | V-0645 | TORNILLO M6X16 DIN7984 8.8 | SCREW M6X16 DIN7984 8.8 | 1 |
| 7 | V-1189 | ARANDELA CM 6X12X1 | WASHER CM 6X12X1 | 4 |
| 8 | V-0550 | TAPA POSTERIOR SILENCIOSO | MUFFLER REAR COVER | 1 |
| 9 | V-0557 | TORNILLO M5X12 ISO 7830 8.8 | SCREW M5X12 ISO 7830 8.8 | 3 |
| 10 | V-0462 | TORNILLO M6X16 DIN912 8.8 | SCREW M6X16 DIN912 8.8 | 1 |
| 11 | V-0583 | PROTECTOR SILENCIOSO | MUFFLER PROTECTOR | 1 |
| 12 | V-0561 | TORNILLO M6X25 DIN 7984 8.8 | SCREW M6X25 DIN 7984 8.8 | 2 |
| 13 | V-0813 | TUERCA M6 F-1140 | NUT M6 F-1140 | 1 |
| 14 | V-0690 | CASQUILLO GUARDABARROS TRASERO | REAR MUDGUARD SLEEVE | 2 |
| 15 | V-0653 | TUERCA RAPIDA TRT-M5-1 | FAST NUT TRT-M5-1 | 3 |
| 16 | V-0836 | TUERCA DIN 985 M6 | NUT DIN 985 M6 | 1 |
| 17 | V-1404 | CASQUILLO ESCAPE 250CC | EXHAUST SLEEVE 250CC | 1 |



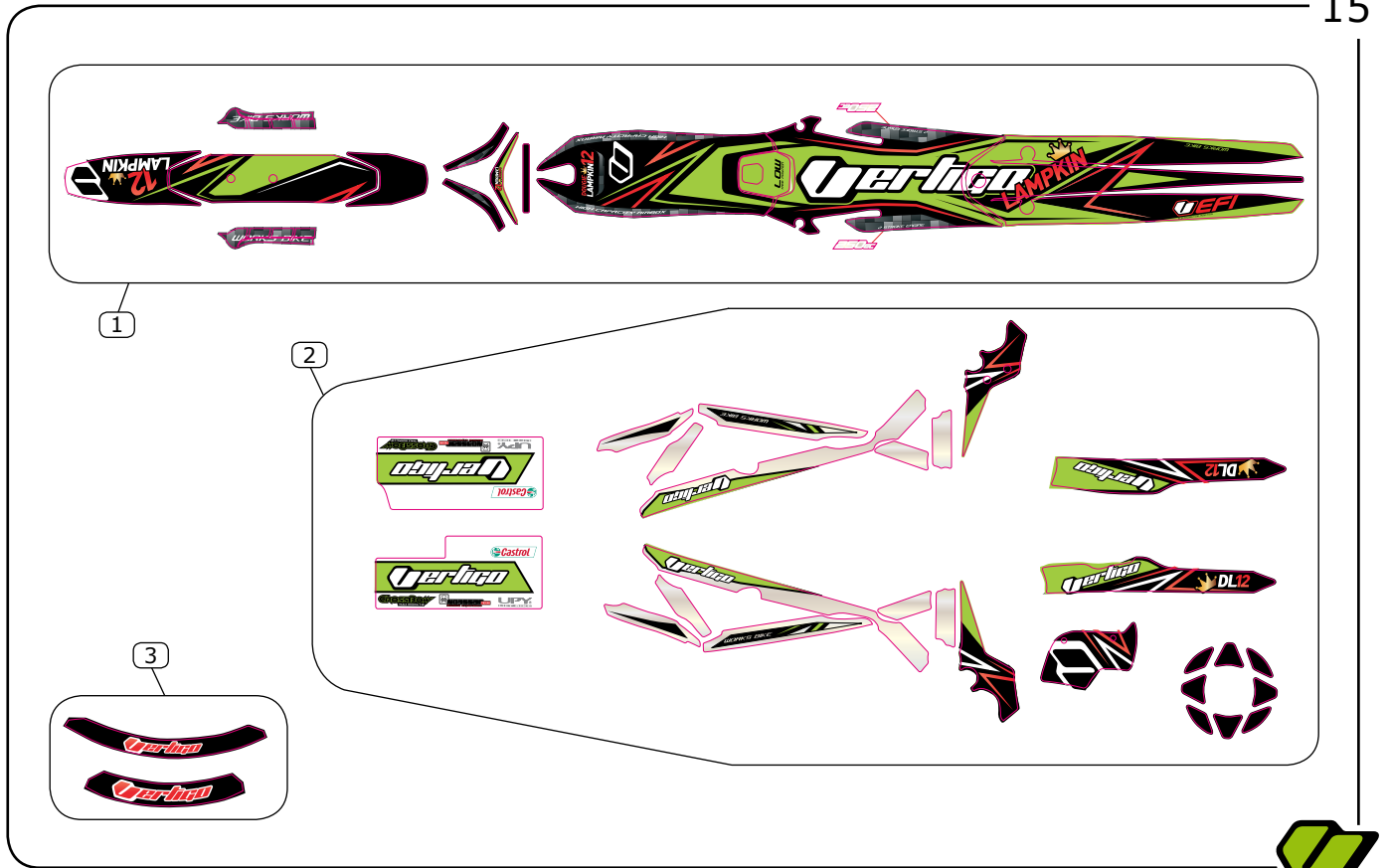
| POS. | COD. | DESCRIPCIÓN | DESCRIPTION | QTY. |
|------|--------|---|---------------------------------------|------|
| 1 | V-1323 | INSTALACION ELECTRICA BATTERYLESS VERT. | VERTICAL WIRING LOOM | 1 |
| 2 | V-1409 | INSTALACION ELEC. DEL. VERT. DOBLE MAPA | FRONT WIRING LOOM WITH MAPPING SWITCH | 1 |
| 3 | V-1320 | ECU EVO VERTICAL | ECU EVO VERTICAL | 1 |
| 4 | V-0591 | REGULADOR | REGULATOR | 1 |
| 5 | V-0300 | BOBINA ENCENDIDO | IGNITION COIL | 1 |
| 6 | V-0794 | SOPORTE REGULADOR | REGULATOR SUPPORT | 1 |
| 7 | V-0863 | TUERCA DIN 985 M6 | M6 NUT DIN 985 | 2 |
| 8 | V-0660 | SOPORTE BOBINA | IGNITION COIL SUPPORT | 1 |
| 9 | V-0440 | TORNILLO M5X6 ISO 7380 8.8 | SCREW M5X6 ISO 7380 8.8 | 2 |
| 10 | V-0462 | TORNILLO M6X16 DIN912 8.8 | SCREW M6X16 DIN912 8.8 | 2 |
| 11 | V-0836 | TUERCA DIN 985 M6 | M6 NUT DIN 985 | 2 |
| 12 | V-0427 | PIPA BUJÍA | SPARK PLUG PIPE | 1 |
| 13 | V-0635 | SENSOR TEMP. Y PRESIÓN AIRE ADM. | PRESSURE AND TEMP. INTAKE SENSOR | 1 |
| 14 | V-0394 | CTO. ROTOR/STATOR | ROTOR/STATOR SET | 1 |
| 15 | V-0395 | PICK UP | PICK UP | 1 |
| 16 | V-0434 | TORNILLO M5X10 DIN 7984 8.8 | SCREW M5X10 DIN 7984 8.8 | 2 |
| 17 | V-1443 | DISPOSITIVO CAÍDA PILOTO | MAGNETIC KILL SWITCH | 1 |
| 18 | V-0637 | CHAPA SOP.CABLES ALTERNADOR | STATOR CABLE SUPPORT | 1 |
| 19 | V-1324 | TORNILLO M5X6 BN 6404 ISO 7380-1 | SCREW M5X6 BN 6404 ISO 7380-1 | 2 |
| 20 | V-1357 | GOMA PICK UP | PICK UP RUBBER | 1 |
| 21 | V-1355 | LED TRASERO CON INSTALACION | REAR LED LIGHT | 1 |
| 22 | V-1326 | GOMA SOPORTE ECU | ECU RUBBER SUPPORT | 1 |
| 23 | V-0775 | TORNILLO ROSCA CHAPA 4.8X19 DIN 7981 | SCREW 4.8X19 DIN 7981 | 2 |



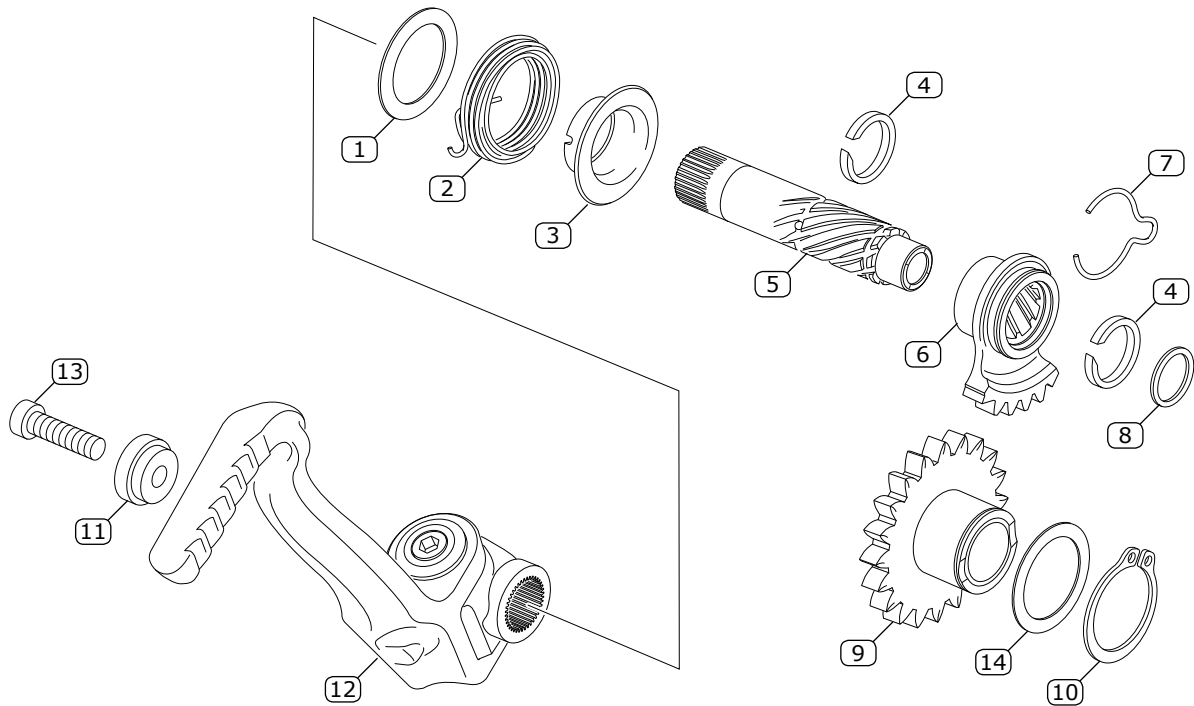
| POS. | COD. | DESCRIPCIÓN | DESCRIPTION | QTY. |
|------|--------|--|---------------------------------------|------|
| 1 | V-0276 | NEUMATICO DEL. MICHELIN TRIAL X-LIGHT | FRONT TYRE MICHELIN TRIAL X-LIGHT | 1 |
| 2 | V-0371 | LLANTA DEL. 1.60 X 21 | FRONT RIM 1.60 X 21 | 1 |
| 3 | V-0385 | VÁLVULA TUBELESS | TUBELESS VALVE | 1 |
| 4 | V-0372 | RADIO DEL. M3.5 X 0.6 L255 MM | FRONT WHEEL SPOKE M3.5 X 0.6 L255 MM | 32 |
| 5 | V-0374 | BUJE DELANTERO | FRONT HUB | 1 |
| 6 | V-0334 | EJE RUEDA DELANTERO | FRONT WHEEL SHAFT | 1 |
| 7 | V-0510 | RODAMIENTO BUJE 6004 2RS | BEARING HUB 6004 2 RS | 2 |
| 8 | V-0375 | AGARRE CUBIERTA DELANTERA | FRONT WHEEL GRIP | 1 |
| 9 | V-0437 | TORNILLO ESPECIAL M6X20 ESP. DISCO FRENO | SPECIAL SCREW M6X20 BRAKE DISC SPACER | 4 |
| 10 | V-0325 | CASQUILLO DISCO FRENO FLOTANTE | FLOATING BRAKE DISC SLEEVE | 4 |
| 11 | V-0348 | DISCO FRENO DELANTERO | FRONT BRAKE DISC | 1 |
| 12 | V-1003 | CASQUILLO INTERIOR BUJE DEL. | FRONT HUB INNER SLEEVE | 1 |
| 13 | V-0278 | CAMARA DELANTERA 21MD VALVE TR4 | FRONT INNER TUBE 21MD VALVE TR4 | 1 |
| 14 | V-0747 | PROTECTOR CAMARA AIRE DEL. | FRONT INNERTUBE PROTECTOR | 1 |
| 15 | V-1178 | CTO. RUEDA DELANTERA | FRONT WHEEL SET | 1 |
| 16 | V-0762 | TAPON VALVULA VERDE | GREEN VALVE CAP | 1 |
| 17 | V-0373 | TUERCA RADIO | SPOKE NUT | 32 |



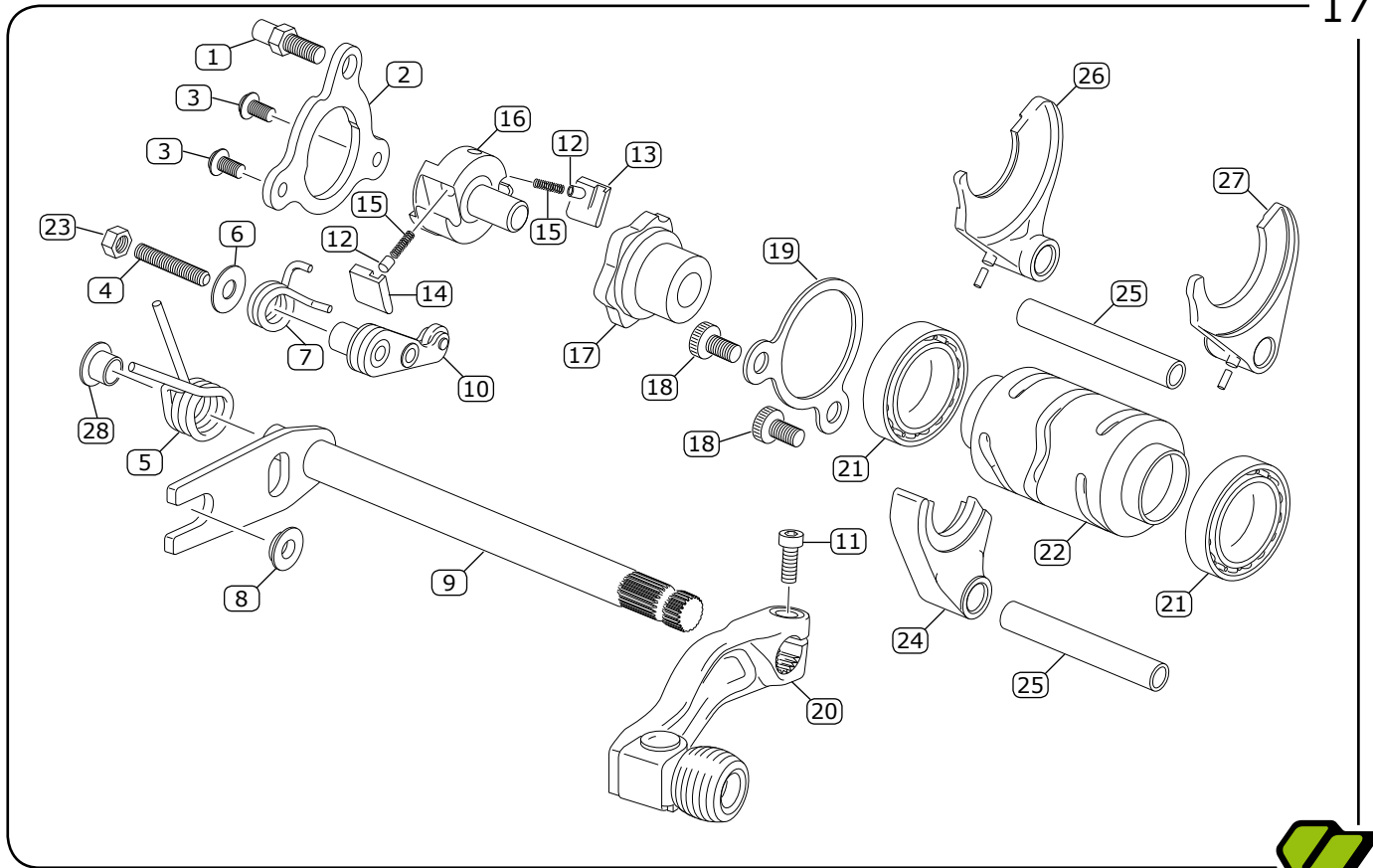
| POS. | COD. | DESCRIPCIÓN | DESCRIPTION | QTY. |
|------|--------|---|--|------|
| 1 | V-0277 | NEUMATICO TRAS. MICHELIN TRIAL X-LIGHT | REAR TYRE MICHELIN TRIAL X-LIGHT | 1 |
| 2 | V-0378 | LLANTA TRASERA 2.15 X 18 TUBELESS | REAR RIM 2.15 X 18 TUBELESS | 1 |
| 3 | V-1245 | DISCO FRENO TRASERO FIM | REAR BRAKE DISC FIM | 1 |
| 4 | V-0682 | TORNILLO ESPECIAL M6X20 DISCO FRENO | SPECIAL SCREW M6X20 BRAKE DISC | 4 |
| 5 | V-0606 | EXCENTRICA RUEDA TRAS CAMO | CAMO REAR WHEEL ECCENTRIC WASHER | 2 |
| 6 | V-0552 | TUERCA RUEDA TRASERA | REAR WHEEL NUT | 1 |
| 7 | V-0549 | CASQUILLO RUEDA TRASERA | REAR WHEEL SLEEVE | 2 |
| 8 | V-0510 | RODAMIENTO BUJE 6004 2RS | BEARING HUB 6004 2 RS | 2 |
| 9 | V-0381 | RADIO RUEDA TRASERA M4 X 0.7 L165 MM | REAR WHEEL SPOKE M4 X 0.7 L165 MM | 16 |
| 10 | V-0383 | TUERCA TENSOR RADIO M4 | REAR WHEEL SPOKE NUT M4 | 32 |
| 11 | V-0382 | RADIO RUEDA TRAS. M4 X 0.7 LG 34.5 MM | REAR WHEEL SPOKE M4 X 0.7 LG 34.5MM | 16 |
| 12 | V-0380 | RADIO RUEDA TRAS. CORONA M4X0.7 L36 MM | REAR WHEEL SPOKE CROWN SIDE M4X0.7 L36 MM | 16 |
| 13 | V-0379 | RADIO RUEDA TRAS. CORONA M4X0.7 L175 MM | REAR WHEEL SPOKE CROWN SIDE M4X0.7 L175 MM | 16 |
| 14 | V-1031 | CADENA REGINA - 103 | CHAIN REGINA - 103 | 1 |
| 15 | V-0674 | ENGANCHE CADENA | CHAIN LINK | 1 |
| 16 | V-0605 | EJE RUEDA TRASERO | REAR WHEEL SHAFT | 1 |
| 17 | V-0681 | TORNILLO ESPECIAL CORONA M8X25 MM | SPECIAL SCREW M8X25 10.9 REAR SPROCKET | 4 |
| 18 | V-1514 | CORONA Z42 BRONCE | SPROCKET Z42 BRONZE | 1 |
| 19 | V-1004 | CASQUILLO INTERIOR BUJE TRASERO | REAR HUB INNER SLEEVE | 1 |
| 20 | V-0470 | TUERCA M8 DIN 985 AUTOBLOCANTE | NUT M8 DIN 985 AUTO LOCK | 4 |
| 21 | V-1287 | CTO RUEDA TRASERA | REAR WHEEL SET | 1 |
| 22 | V-1032 | MEDIA MALLA | HALF CHAIN LINK | 1 |
| 23 | V-0762 | TAPÓN VALVULA VERDE | GREEN VALVE CAP | 1 |
| 24 | V-0385 | VÁLVULA TUBELESS | TUBELESS VALVE | 1 |



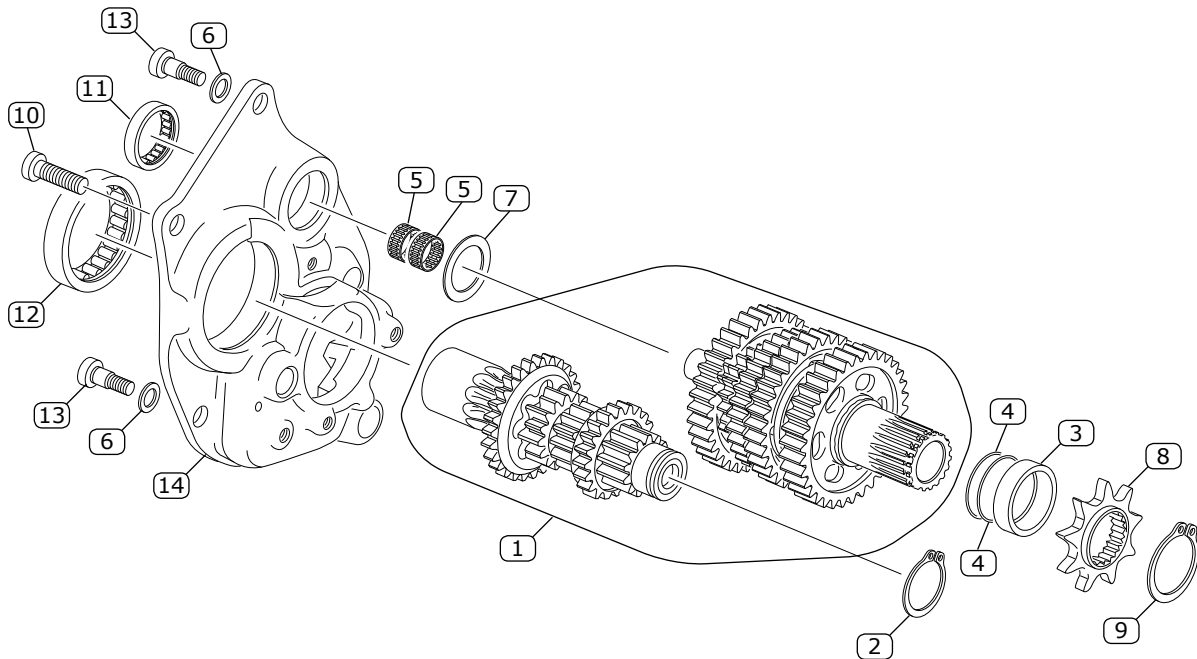
| POS. | COD. | DESCRIPCIÓN | DESCRIPTION | QTY. |
|------|--------|---------------------------------------|-------------------------------------|------|
| 1 | V-1521 | KIT BLISTER DECORACION DL12 REPLICA | DL12 REPLICA DECO STICKER KIT | 1 |
| 2 | V-1520 | KIT PROTECCION ADHESIVOS DL12 REPLICA | DL12 REPLICA PROTECTION STICKER KIT | 1 |
| 3 | V-1342 | KIT BLISTER LLANTAS | RIM STICKER KIT | 1 |



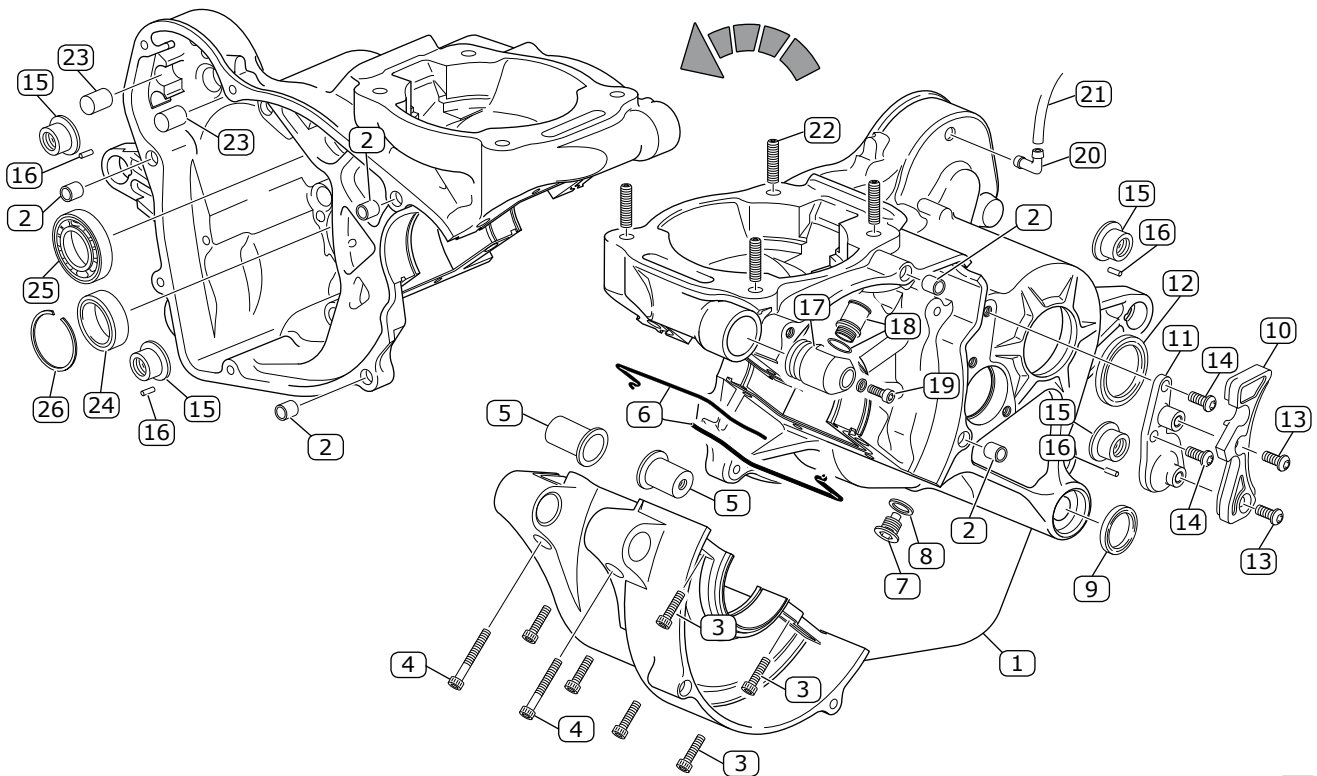
| POS. | COD. | DESCRIPCIÓN | DESCRIPTION | QTY. |
|------|--------|---------------------------------------|--------------------------------|------|
| 1 | V-0752 | ARANDELA 18X40X0.5 | WASHER 18X40X0.5 | 1 |
| 2 | V-0232 | MUELLE ARRANQUE | KICKSTART SPRING | 1 |
| 3 | V-0229 | CENTRADOR MUELLE ARRANQUE | KICKSTART SPRING BUSH | 1 |
| 4 | V-0648 | SEEGER EJE ARRANQUE | KICKSTART SEEGER SHAFT | 2 |
| 5 | V-0231 | EJE ARRANQUE | KICKSTART SHAFT | 1 |
| 6 | V-0251 | PIÑÓN DE ARRANQUE | KICKSTART GEAR | 1 |
| 7 | V-0230 | MUELLE DE FRICCIÓN ARRANQUE | KICKSTART FRICTION SPRING | 1 |
| 8 | V-0753 | ARANDELA 14X25X0.5 | WASHER 14X25X0.5 | 1 |
| 9 | V-0203 | PIÑÓN INT. ARRANQUE | INNER KICKSTART GEAR | 1 |
| 10 | V-0336 | CIRCLIP PIÑÓN INT. ARRANQUE | INNER KICKSTART GEAR CIRCLIP | 1 |
| 11 | V-1461 | CASQ. FIJ. PALANCA DE ARRANQUE BRONCE | KICKSTART SLEEVE BRONZE | 1 |
| 12 | V-0299 | CTO. PALANCA DE ARRANQUE | KICKSTART SET | 1 |
| 13 | V-0449 | TORNILLO 7984 M6X35 DIN 7984 ZINCADO | SCREW 7984 M6X35 DIN 7984 ZINC | 1 |
| 14 | V-0921 | ARANDELA 30X22X0.5MM | WASHER 30X22X0.5MM | 1 |
| 14 | V-0958 | ARANDELA 30X22X0.3MM | WASHER 30X22X0.3MM | 1 |
| 14 | V-0806 | ARANDELA 30X22X0.8MM | WASHER 30X22X0.8MM | 1 |



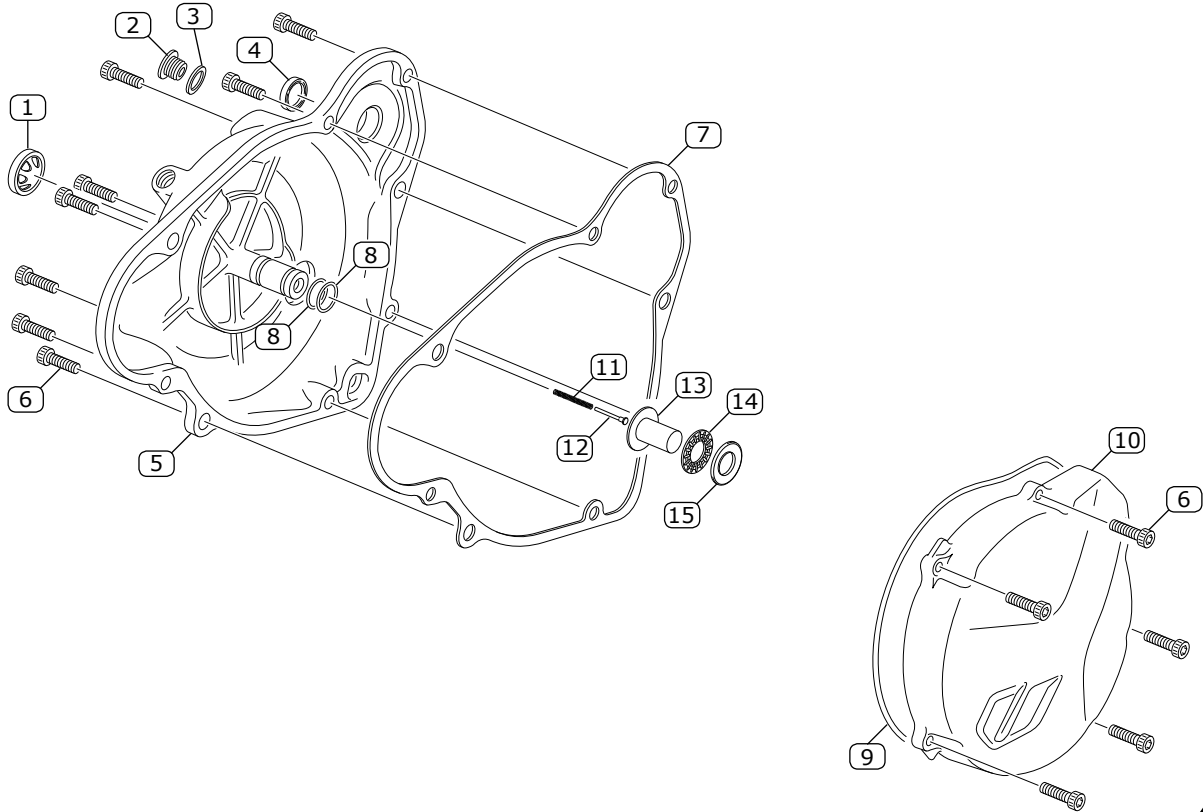
| POS. | COD. | DESCRIPCIÓN | DESCRIPTION | QTY. |
|------|--------|-------------------------------------|---------------------------------|------|
| 1 | V-1318 | TOPE MUELLE SELECTOR | SPRING SELECTOR STOP | 1 |
| 2 | V-1317 | PLETINA RETORNO DESMODRÓNICO | RETURN SHIFT PLATE | 1 |
| 3 | V-0554 | TORNILLO M5X10 DIN 912 8.8 | SCREW M5X10 DIN 912 8.8 | 2 |
| 4 | V-0811 | ESPARRAGO DIN 913 (ISO 4026) M5X35 | STUD M5X35 913 ISO 4026 | 1 |
| 5 | V-0243 | MUELLE FIJADOR MARCHAS | GEAR SELECTOR SPRING | 1 |
| 6 | V-0810 | ARANDELA DIN 9021 M5 | WASHER DIN 9021 M5 | 1 |
| 7 | V-0228 | MUELLE FIJADOR MARCHAS | GEAR SELECTOR SPRING | 1 |
| 8 | V-0220 | CASQUILLO SELECTOR DESMODRÓNICO | SHIFT SLEEVE | 1 |
| 9 | V-0218 | EJE SELECTOR | SHIFT SHAFT ASSY | 1 |
| 10 | V-0269 | POLEA FIJADOR MARCHAS | SHIFT SELECTOR PULLEY | 1 |
| 11 | V-0645 | TORNILLO M6X16 DIN7984 8.8 | SCREW M6X16 DIN7984 8.8 | 1 |
| 12 | V-0247 | TETÓN LEVA CAMBIO | CAM SHIFT PIPE | 2 |
| 13 | V-0245 | LEVA CAMBIO IZQUIERDA | LEFT SHIFT CAM LEVER | 1 |
| 14 | V-0246 | LEVA CAMBIO DERECHA | RIGHT SHIFT CAM LEVER | 1 |
| 15 | V-0248 | MUELLE TETÓN LEVA CAMBIO | CAM SHIFT PIPE SPRING | 2 |
| 16 | V-0221 | SELECTOR DESMODRÓNICO | DRUM SHIFT CAM SHORT LEVELS | 1 |
| 17 | V-0226 | ESTRELLA SELECTOR CAMBIO | DRUM SHIFT STAR | 1 |
| 18 | V-0556 | TORNILLO M5X10 ISO7380 10.9 | SCREW M5X10 ISO7380 10.9 | 2 |
| 19 | V-0227 | PLETINA SUJECIÓN ROD. CAMBIO | BEARING SUPPORT PLATE | 1 |
| 20 | V-0295 | CTO. PALANCA CAMBIO | SHIFT PEDAL | 1 |
| 21 | V-0285 | RODAMIENTO 61804 DESMODRÓNICO | BEARING 61804 SHIFT DRUM | 2 |
| 22 | V-0225 | TAMBOR DESMODRÓNICO | DESMODROMIC SHIFT DRUM | 1 |
| 23 | V-0812 | TUERCA M5 DIN 985 AUTOBLOCANTE | M5 NUT AUTOLOCK | 1 |
| 24 | V-0240 | HORQUILLA EJE PRIMARIO | PRIMARY SHAFT GEAR FORK | 1 |
| 25 | V-0244 | EJE HORQUILLA 89.9MM | GEAR FORK SHAFT 89.9MM | 2 |
| 26 | V-0242 | HORQUILLA 6A SECUNDARIO | SECONDARY SHAFT 6TH GEAR FORK | 1 |
| 27 | V-0241 | HORQUILLA 5A SECUNDARIO | SECONDARY SHAFT 5TH GEAR FORK | 1 |
| 28 | V-0678 | CASQUILLO CENTRADOR MUELLE SELECTOR | SELECTOR SHAFT CENTERING SLEEVE | 1 |



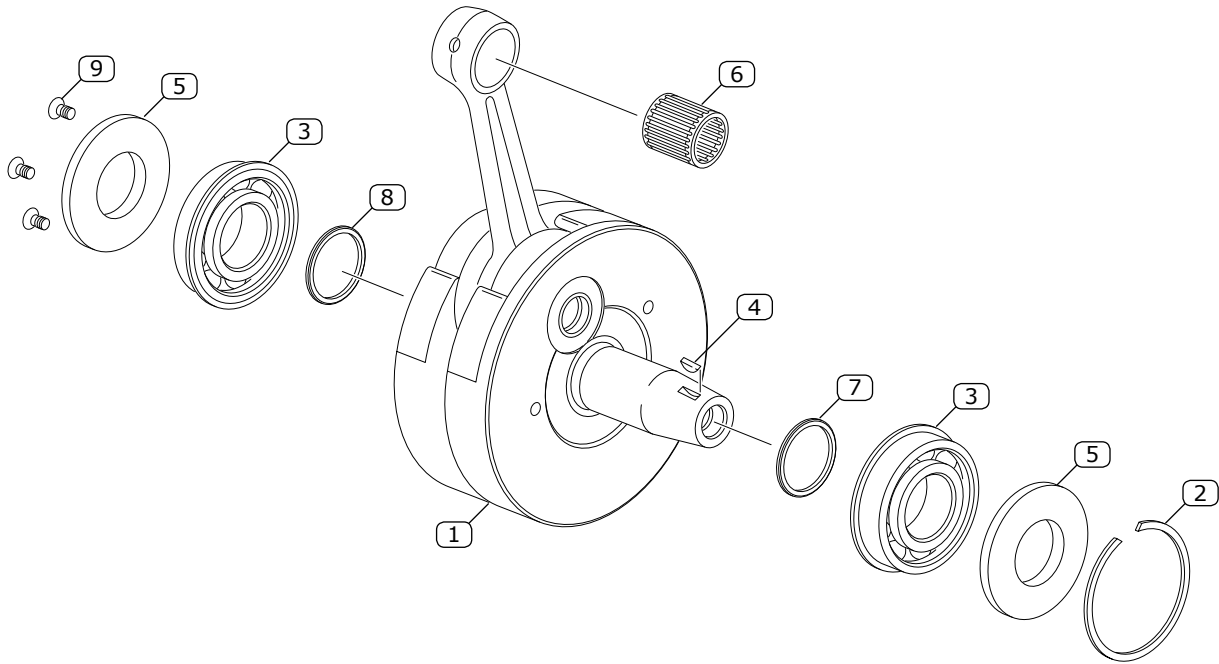
| POS. | COD. | DESCRIPCIÓN | DESCRIPTION | QTY. |
|------|--------|---|--------------------------------------|------|
| 1 | V-0267 | GRUPO CAMBIO COMPLETO | GEARBOX ASSY | 1 |
| 2 | V-0335 | SEEGER D.20 X1.2 DIN471 EJE PRIMARIO | SEEGER D.20 DIN471 PRIMARY SHAFT | 1 |
| 3 | V-0309 | CASQUILLO PIÑÓN SALIDA | SHIFT SEAL BUSHING | 1 |
| 4 | V-0634 | JUNTA TÓRICA 25X1.5 | O-RING 25X1.5 | 2 |
| 5 | V-0259 | RODAMIENTO AGUJAS | NEEDLE ROLLER BEARING | 2 |
| 6 | V-1042 | ARANDELA DIN 433 M8 | WASHER DIN 433 M8 | 2 |
| 7 | V-0753 | ARANDELA 14X25X0.5 | WASHER 14X25X0.5 | 1 |
| 8 | V-0313 | PIÑÓN SALIDA Z10 | EXIT SPROCKET Z10 | 1 |
| 9 | V-0584 | SEEGER D.25X1.2 DIN 471 | SEEGER PINION EXIT | 1 |
| 10 | V-0559 | TORNILLO M6X20 DIN 7984 8.8 | SCREW M6X20 DIN 7984 8.8 | 2 |
| 11 | V-0288 | RODAMIENTO AGUJAS SECUNDARIO | NEEDLE ROLLER SECONDARY | 1 |
| 12 | V-0284 | RODAMIENTO AGUJAS CAMP EMB | NEEDLE BEARING CROWN CLUTCH | 2 |
| 13 | V-1041 | TORNILLO AJUST. ISO 7379 12.9 Ø8 F9 M6X10 | ADJ. SCREW ISO 7379-12.9 Ø8 F9 M6X10 | 2 |
| 14 | V-0261 | TAPA SUJECIÓN CAMBIO | GEARBOX SUPPORT | 1 |



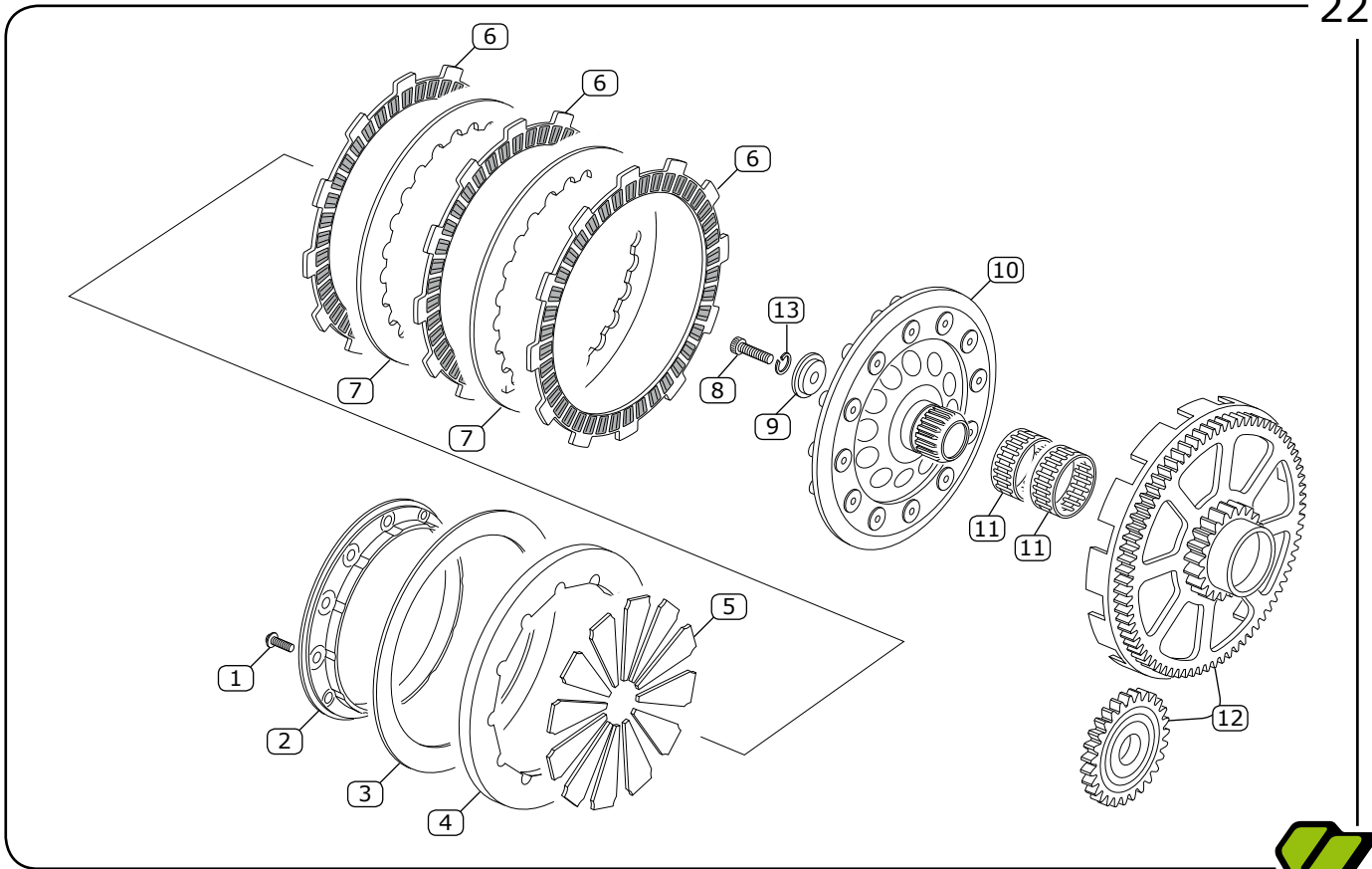
| POS. | COD. | DESCRIPCIÓN | DESCRIPTION | QTY. |
|------|--------|---------------------------------------|---|------|
| 1 | V-1448 | CARTER PREMONTADO 2018 | PREASSEMBLED CRANKCASE 2018 | 1 |
| 2 | V-0639 | CASQUILLO CENTRADOR CARTER | CRANKCASE CENTRING SLEEVE | 9 |
| 3 | V-0559 | TORNILLO M6X20 DIN 7984 8.8 | SCREW M6X20 DIN 7984 8.8 | 6 |
| 4 | V-0453 | TORNILLO M6X45 DIN 912 10.9 | SCREW M6X45 DIN 912 10.9 | 2 |
| 5 | V-0547 | CASQUILLO CARTER/SUBCHASIS DEL | CARTER/FRONT SUBFRAME SLEEVE | 2 |
| 6 | V-1322 | HILO TÓRICO 2.0X135MM | O-RING 2.0X135 | 1 |
| 7 | V-0312 | TAPÓN VACIADO ACEITE | DRAIN PLUG OIL | 1 |
| 8 | V-0472 | ARANDELA COBRE TAPÓN ACEITE 12/16/1.5 | COOPER WASHER OIL | 1 |
| 9 | V-0340 | RETEN 12X22X7 EJE SELECTOR/CARTER | LIP SEAL 12X22X7 GEAR PEDAL/CRANKCASE | 1 |
| 10 | V-0579 | PROTECTOR PIÑON CADENA | CRANKCASE CHAIN PROTECTOR | 1 |
| 11 | V-0529 | TAPA EJE PRIMARIO | PRIMARY SHAFT COVER | 1 |
| 12 | V-0342 | RETEN 30X36X5 EJE SECUNDARIO/CARTER | LIP SEAL 30X36X5 SECONDARY SHAFT/CRANKCASE | 1 |
| 13 | V-0651 | TORNILLO M5X10 DIN 6912 8.8 | SCREW M5X10 DIN 6912 8.8 | 2 |
| 14 | V-1321 | TORNILLO 5X10 TORX BN 6404 ISO 7380-1 | SCREW 5X10 TORX BN 6404 ISO 7380-1 | 3 |
| 15 | V-0640 | CASQUILLO ROSCADO CARTER | CRANKCASE THREADED SLEEVE | 4 |
| 16 | V-1068 | CLAVIA 3X10MM DIN7 | PIN 3X10MM DIN7 | 4 |
| 17 | V-0505 | RACOR CARTER | RACOR CRANKCASE | 1 |
| 18 | V-1460 | SOPORTE RACOR BOMBA/CARTER BRONCE | SUPPORT FITTING PUMP/CRANKCASE BRONZE | 1 |
| 19 | V-0643 | TORNILLO M5X6 DIN 912 8.8 | SCREW M5X6 DIN 912 8.8 | 1 |
| 20 | V-1406 | DESVAPORIZADOR CAMBIO | BREATHER | 1 |
| 21 | V-1303 | TUBO DESVAPORIZADOR CAMBIO | GEARBOX BREATHE TUBE | 1 |
| 22 | V-0464 | TORNILLO M8X30 DIN 835 8.8 | SCREW M8X30 DIN 835 8.8 | 4 |
| 23 | V-0310 | TOPE PALANCA ARRANQUE | STOP KICKSTART PEDAL | 2 |
| 24 | V-0283 | RODAMIENTO BOLAS CONTACTO ANGULAR | TWO ROWS BALL BEARING | 1 |
| 25 | V-0287 | RODAMIENTO BOLAS SECUNDARIO/PIÑÓN | BALL BEARING 6005 SECONDARY SHAFT | 1 |
| 26 | V-0336 | SEEGER D.32 1.2 FINAL CARTER/PRIMARIO | CRANKCASE PRIMARY SHAFT SEEGER D.32 DIN 472 | 1 |



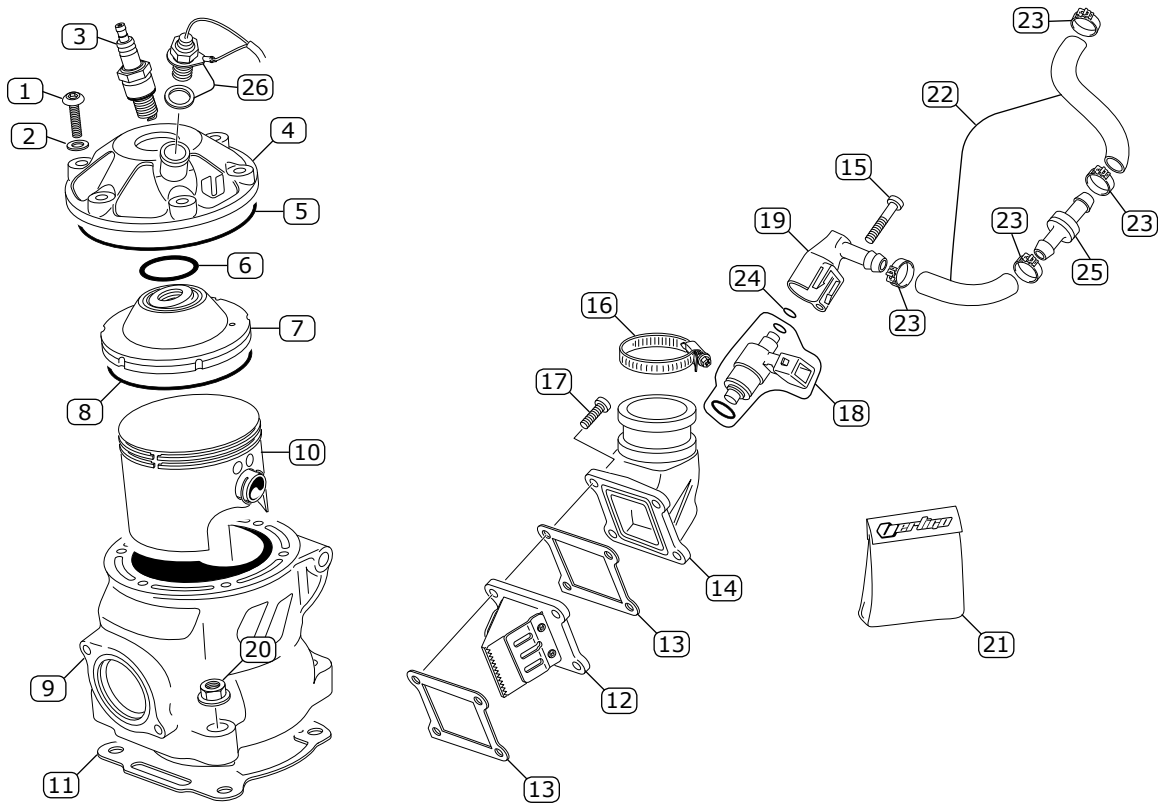
| POS. | COD. | DESCRIPCIÓN | DESCRIPTION | QTY. |
|------|--------|---|--|------|
| 1 | V-0314 | MIRILLA VISOR ACEITE | WINDOW DISPLAY OIL | 1 |
| 2 | V-1454 | TAPÓN LLENADO ACEITE BRONCE | OIL FILLER CAP BRONZE | 1 |
| 3 | V-0472 | ARANDELA COBRE TAPÓN ACEITE | COOPER WASHER OIL | 1 |
| 4 | V-0339 | RETÉN 18X24X4 | LIP SEAL 18X24X4 | 1 |
| 5 | V-1427 | TAPA EMBRAGUE | CLUTCH COVER | 1 |
| 6 | V-0448 | TORNILLO M5X20 DIN 912 8.8 | SCREW M5X20 DIN 912 8.8 | 13 |
| 7 | V-0262 | JUNTA TAPA EMBRAGUE | CLUTCH COVER GASKET | 1 |
| 8 | V-0662 | TORICA BOMBIN EMBRAGUE 11.5X1.5 | CLUTCH PUMP O-RING 11.5X1.5 | 2 |
| 9 | V-0527 | JUNTA TAPA ALTERNADOR | FLYWHEEL COVER GASKET | 1 |
| 10 | V-1347 | TAPA ALTERNADOR | FLYWHEEL COVER | 1 |
| 11 | V-0308 | MUELLE PISTON EMBRAGUE | CLUTCH PISTON SPRING | 1 |
| 12 | V-0307 | GUIA MUELLE PISTÓN EMBRAGUE | CLUTCH PISTON SPRING GUIDE | 1 |
| 13 | V-0305 | PISTON BOMBIN EMBRAGUE | CLUTCH PUMP PISTON | 1 |
| 14 | V-0286 | ROD. AXIAL AGUJAS AXK1730 EMP. EMBRAGUE | AXIAL NEEDLE BEARING CLUTCH PISTON BEARING | 1 |
| 15 | V-0306 | EMPUJADOR EMBRAGUE | CLUTCH PISTON BEARING PLATE | 1 |



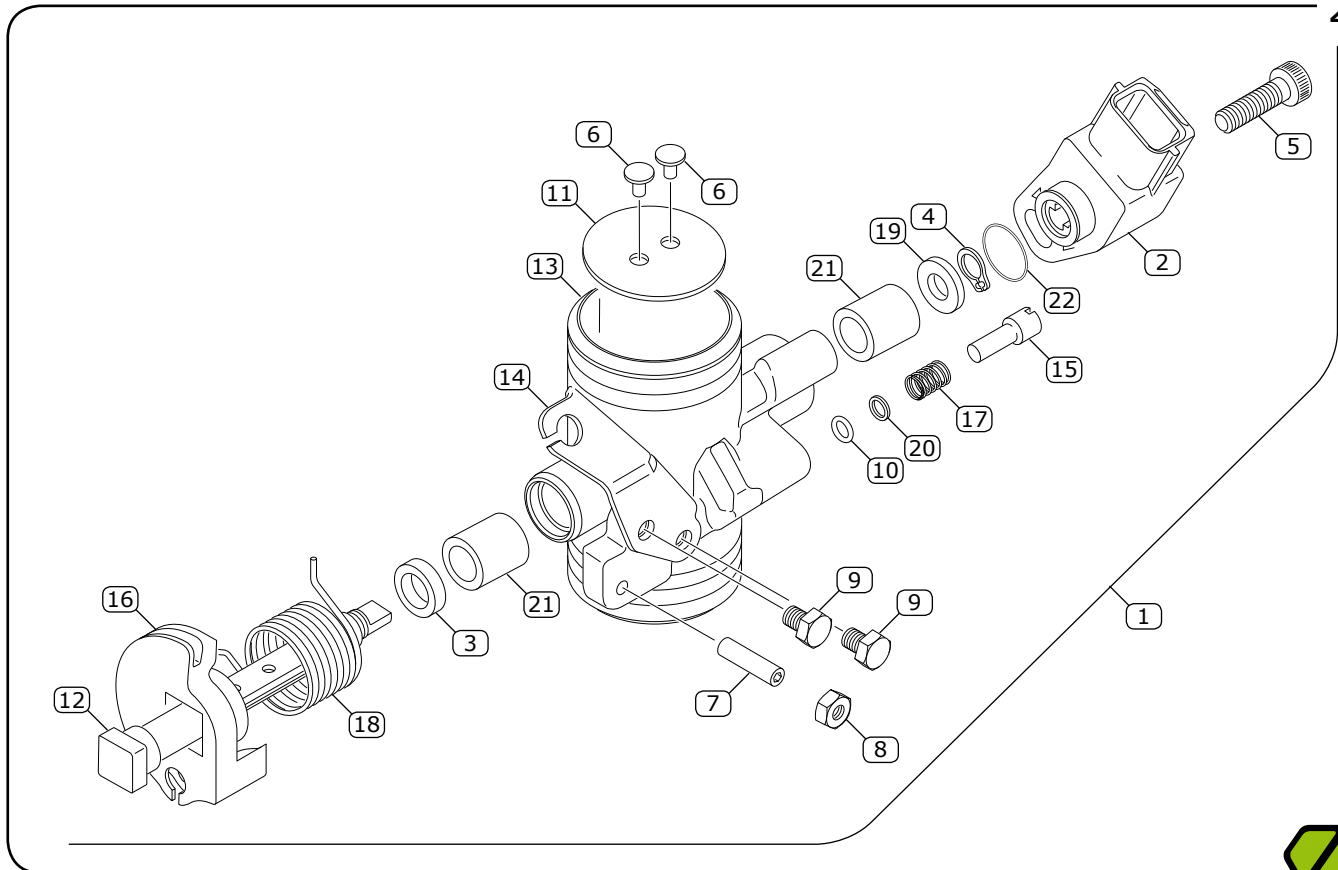
| POS. | COD. | DESCRIPCIÓN | DESCRIPTION | QTY. |
|------|--------|---|---------------------------------------|------|
| 1 | V-0297 | CIGUEÑAL 116MM | CRANKSHAFT 116MM | 1 |
| 2 | V-1349 | SEGER D.52 DIN5417 | SEGER D.52 DIN5417 | 1 |
| 3 | V-1351 | COJINETE CIGUEÑAL 6205 NR 2RS | CRANKSHAFT BEARING 6205 NR 2RS | 2 |
| 4 | V-0636 | CHAVETA CIGUEÑAL DIN 6888 | CRANKSHAFT COTTER DIN 6888 | 1 |
| 5 | V-1350 | RETEN CIGÜEÑAL 25X52X5 | CRANKSHAFT LIP SEAL 25X52X5 | 2 |
| 6 | V-0315 | RODAMIENTO AGUJAS 18X22X22 BIELA | NEEDLE ROLLER BEARING 18X22X22 CONROD | 1 |
| 7 | V-1400 | ARANDELA REGLAJE CIGÜEÑAL IZQUIERDA 1.8 | CRANKSHAFT CENTERING WASHER 1.8 | 1 |
| 8 | V-1401 | ARANDELA REGLAJE CIGÜEÑAL DERECHA 1.5 | CRANKSHAFT CENTERING WASHER 1.5 | 1 |
| 9 | V-1352 | TORNILLO M4X8 DIN 7991 ZN PLATA | SCREW M4X8 DIN 7991 ZN SILVER | 3 |



| POS. | COD. | DESCRIPCIÓN | DESCRIPTION | QTY. |
|------|--------|--|--------------------------|------|
| 1 | V-0432 | TOR. M4X10 INOX A2 TORX TETON EMBRAGUE | SCREW M4X10 INOX A2 TORX | 12 |
| 2 | V-0236 | SOPORTE MUELLE EMBRAGUE | CLUTCH SPRING SUPPORT | 1 |
| 3 | V-0224 | MUELLE EMBRAGUE 1.5MM | CLUTCH SPRING 1.5MM | 1 |
| 4 | V-0235 | PRENSA EMBRAGUE | CLUTCH PRESSURE PLATE | 1 |
| 5 | V-0222 | PALANQUETA EMBRAGUE | CLUTCH RELEASE ARM | 12 |
| 6 | V-0237 | DISCO EMBRAGUE FORRADO | FIBER CLUTCH DISC | 3 |
| 7 | V-0238 | DISCO EMBRAGUE HIERRO 1.4MM | STEEL CLUTCH DISC 1.4MM | 1 |
| 8 | V-0774 | TORNILLO M5X20 CASQ. NUCLEO EMBRAGUE | SCREW M5X20 CLUTCH HUB | 1 |
| 9 | V-0326 | CASQ NUCLEO EMBRAGUE | CLUTCH CORE INNER SLEEVE | 1 |
| 10 | V-0266 | CUBO EMBRAGUE COMPLETO | CLUTCH HUB ASSY | 1 |
| 11 | V-0260 | RODAMIENTO AGUJAS K28X31X13 | NEEDEL BEARING K28X31X13 | 2 |
| 12 | V-1447 | CAMPANA EMBRAGUE + PIÑON | CLUTCH BASKET + PINION | 1 |
| 13 | V-1170 | ARANDELA AET M5 | WASHER AET M5 | 1 |



| POS. | COD. | DESCRIPCIÓN | DESCRIPTION | QTY. |
|------|--------|---|---|------|
| 1 | V-0451 | TOR. ESPEC. M6X25 10.9 DELTA PROTEK KL100 | SCREW M6X25 10.9 DELTA PROTEK KL100 | 6 |
| 2 | V-0737 | ARANDELA COBRE 6X10X1.5 | COPPER WASHER 6X10X1.5 | 6 |
| 3 | V-0290 | BUJÍA BPMR6A | SPARK PLUG BPMR6A | 1 |
| 4 | V-1453 | TAPA CULATA BRONCE | CYLINDER HEAD COVER BRONZE | 1 |
| 5 | V-0569 | JUNTA TÓR. EXT. CULATA 104,40X1.78 VITON | CYLINDER HEAD EXT. O-RING 104,40X1.78 VITON | 1 |
| 6 | V-0292 | JUNTA TÓRICA CULATÍN | CYLINDER HEAD COVER O-RING | 1 |
| 7 | V-0616 | CULATIN 250CC | CYLINDER HEAD 250CC | 1 |
| 8 | V-0570 | TÓRICA INT. CULATA 83 X 87 X 2 | RING EXT. HEAD 83X87X2 | 1 |
| 9 | V-0614 | CILINDRO 250CC | CYLINDER 250CC | 1 |
| 10 | V-1306 | PISTÓN 250 "A" | PISTON 250 "A" | 1 |
| 10 | V-1190 | PISTÓN 250 "B" | PISTON 250 "B" | 1 |
| 10 | V-1191 | PISTÓN 250 "C" | PISTON 250 "C" | 1 |
| 11 | V-1464 | JUNTA CILINDRO | CYLINDER GASKET | 1 |
| 12 | V-0272 | CAJA LÁMINAS | REED VALVE | 1 |
| 13 | V-0548 | JUNTA CAJA LÁMINAS 0.8MM | REED VALVE GASKET 0.8MM | 2 |
| 14 | V-0200 | TOBERA ADMISIÓN | AIR INTAKE MANIFOLD | 1 |
| 15 | V-0436 | TORNILLO M5X30 DIN 7984 8.8 | SCREW M5X30 DIN 7984 8.8 | 1 |
| 16 | V-0604 | ABRAZADERA TORRO 25-40/9 W2 | TORRO CLAMP 25-40/9 W2 | 1 |
| 17 | V-0865 | TORNILLO M5X25 DIN7984 8.8 | SCREW M5X25 DIN7984 8.8 | 4 |
| 18 | V-0298 | INYECTOR | FUEL INJECTOR | 1 |
| 19 | V-0421 | CONNECTOR INYECTOR | INJECTOR SUPPORT | 1 |
| 20 | V-0471 | TUERCA M8 DIN 6923 | NUT M8 DIN 6923 | 4 |
| 21 | V-1012 | KIT LAMINAS ADMISIÓN | REED VALVE KIT | 1 |
| 22 | V-0754 | TUBO GASOLINA | PETROL HOSE | 1 |
| 23 | V-0838 | ABRAZADERA COBRA 13/8 | COBRA CLAMP 13/8 | 4 |
| 24 | V-0802 | TORICA SUP. INYECTOR 6.35X1.78 | INJECTOR UPPER O-RING 6.35X1.78 | 1 |
| 25 | V-1199 | VALVULA ANTIRETORNO | ONE WAY VALVE | 1 |
| 26 | V-1483 | SENSOR TEMPERATURA AIGUA | WATER TEMPERATURE SENSOR | 1 |



| POS. | COD. | DESCRIPCIÓN | DESCRIPTION | QTY. |
|------|--------|----------------------------------|----------------------------------|------|
| 1 | V-0494 | CTO. CUERPO INYECCIÓN | INJECTION BODY SET | 1 |
| 2 | V-0422 | SENSOR POSICIÓN CUERPO GAS | THROTTLE POSITION SENSOR | 1 |
| 3 | V-0474 | ANILLO RETENCIÓN CM 8X12X3 | RETAINER RING 381.148 | 1 |
| 4 | V-0475 | SEEGER CM DIN 471 - 6X0.7 | CIRCLIP DIN 471 - 6X0.7 | 1 |
| 5 | V-0435 | TORNILLO M5X16 DIN 7984 8.8 | SCREW M5X16 DIN 7984 8.8 | 1 |
| 6 | V-0477 | TORNILLO M3X4 CM ISO 7380-3 10.9 | TORNILLO M3X4 CM ISO 7380-3 10.9 | 2 |
| 7 | V-0478 | ESPARRAGO CM DIN 913 A2 M4X16 | STUD CM DIN 913 A2 M4X16 | 1 |
| 8 | V-0479 | TUERCA CM DIN 934 M4 | M4 NUT DIN 934 | 1 |
| 9 | V-0480 | TORNILLO M4X6 DIN 912 8.8 | SCREW M4X6 DIN 912 8.8 | 2 |
| 10 | V-0481 | TORICA CM DIN 3771-4X1 | O-RING DIN 3771 4X1 | 1 |
| 11 | V-0482 | MARIPOSA | BUTTERFLY | 1 |
| 12 | V-0483 | EJE MARIPOSA | BUTTERFLY AXIS | 1 |
| 13 | V-0484 | CUERPO MARIPOSA | THROTTLE BODY | 1 |
| 14 | V-0485 | CHAPA SOPORTE TENSOR CABLE | CABLE TENSIONER SUPPORT | 1 |
| 15 | V-0486 | AGUJA AIRE M7X0.5-CM | AIR NEEDLE M6X0.5 | 1 |
| 16 | V-0487 | POLEA CUERPO MARIPOSA | THROTTLE BODY PULLEY | 1 |
| 17 | V-0488 | MUELLE AGUJA CM 4X0.5 | SPRING 4X0.5 | 1 |
| 18 | V-0489 | MUELLE POLEA CUERPO MARIPOSA | PULLEY SPRING | 1 |
| 19 | V-0490 | ARANDELA CM 6X12X1 | WASHER 6X11.5X2 | 2 |
| 20 | V-0491 | ARANDELA CM 4.1X5.4X0.25 | WASHER 4.1X5.4X0.25 | 1 |
| 21 | V-0473 | CASQUILLO INA-FAG EGB-0812 | BUSH INA-FAG EGB-0812 | 1 |
| 22 | V-1504 | JUNTA TORICA NBR 10X1 | TPS SENSOR O-RING NBR 10X1 | 1 |

VERTIGO

CONTACT US

GENERAL INFORMATION
info@vertigomotors.com
(+34) 931 701 655

SPARE PARTS DEPARTMENT
spareparts@vertigomotors.com