



NITRA

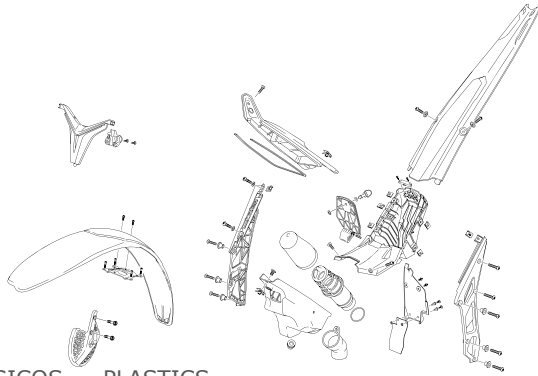
250cc

280cc



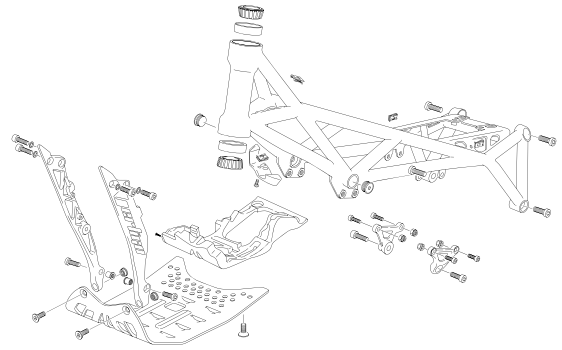
CATÁLOGO RECAMBIOS / SPARE PARTS BOOK / PIÈCES DÉTACHÉES

PG. 1-2



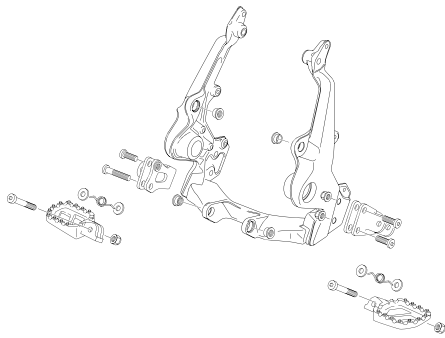
PLÁSTICOS - PLASTICS

PG. 3



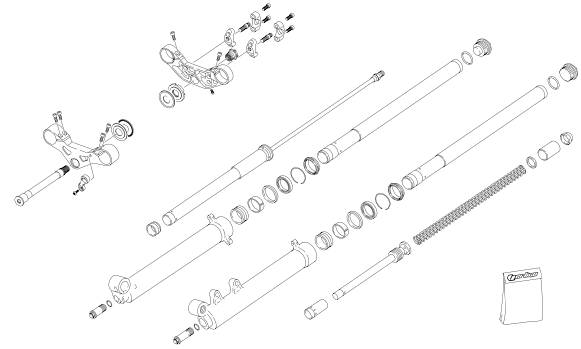
BASTIDOR - FRAME

PG. 4



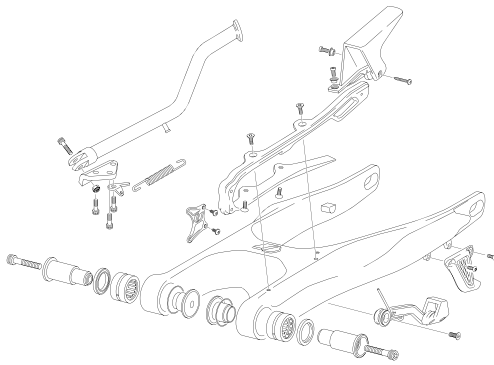
SUBCHASIS - SUBFRAME

PG. 5-6



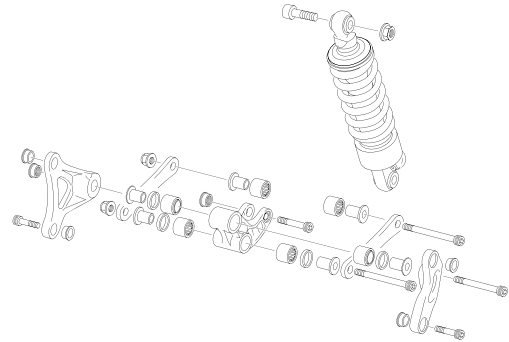
HORQUILLA SUSPENSIÓN - FORK

PG. 7



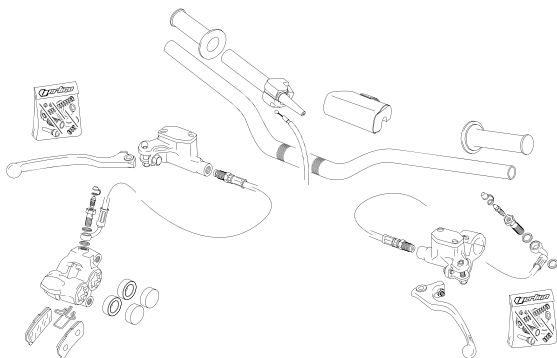
BASCULANTE - SWINGARM

PG. 8



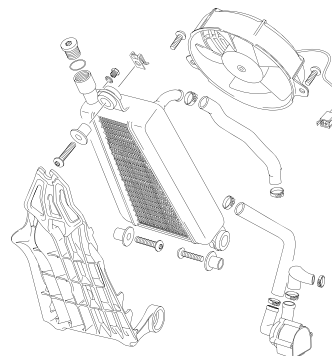
AMORTIGUACIÓN - ROCKER

PG. 9



MANILLAR - HANDLEBAR

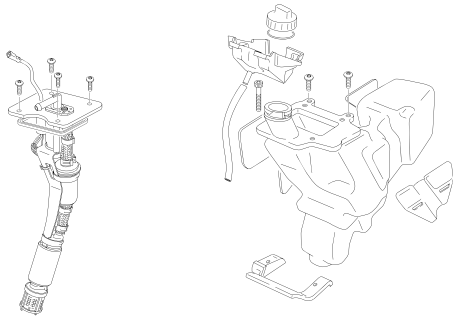
PG. 10



REFRIGERACIÓN - COOLING SYSTEM

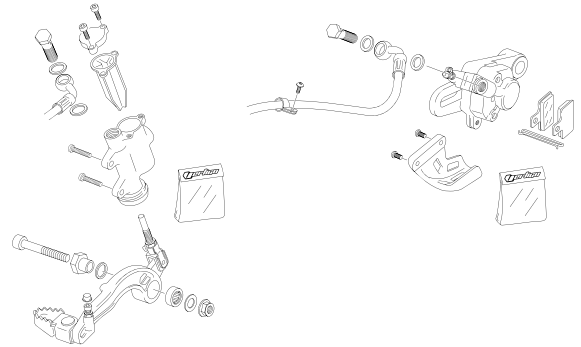


PG. 11



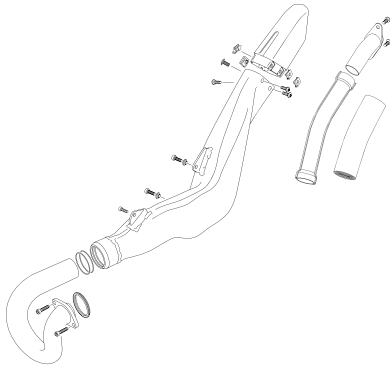
DEPÓSITO DE GASOLINA - FUEL TANK

PG. 12



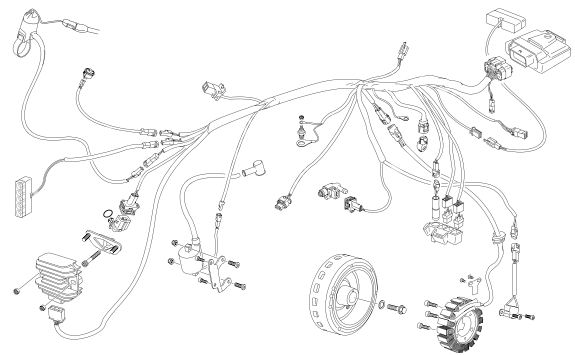
FRENO TRASERO - REAR BRAKE

PG. 13



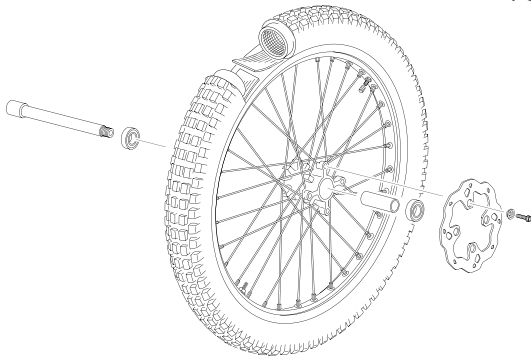
ESCAPE - EXHAUST

PG. 14



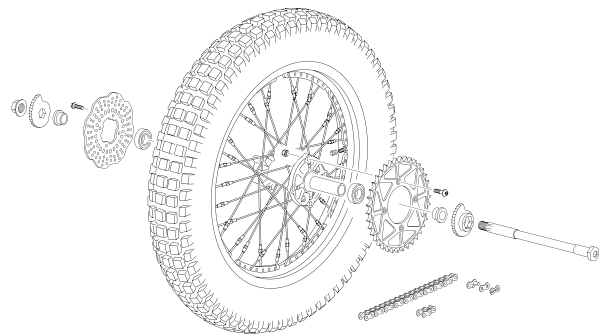
INSTALACIÓN ELÉCTRICA - ELECTRICAL SYSTEM

PG. 15



RUEDA DELANTERA - FRONT WHEEL

PG. 16



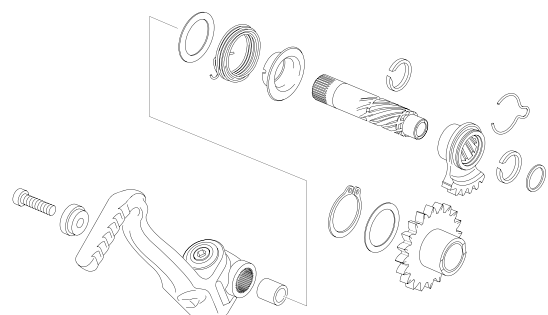
RUEDA TRASERA - REAR WHEEL

PG. 17



ADHESIVOS - STICKERS

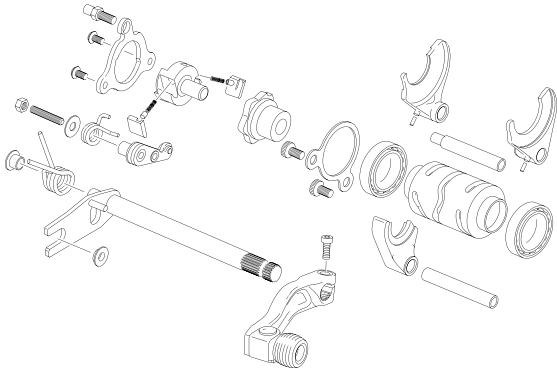
PG. 18



SISTEMA DE ARRANQUE - STARTING SYSTEM

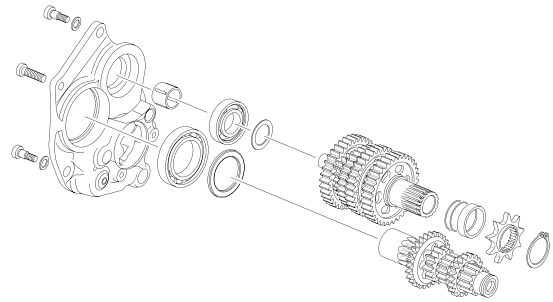


PG. 19



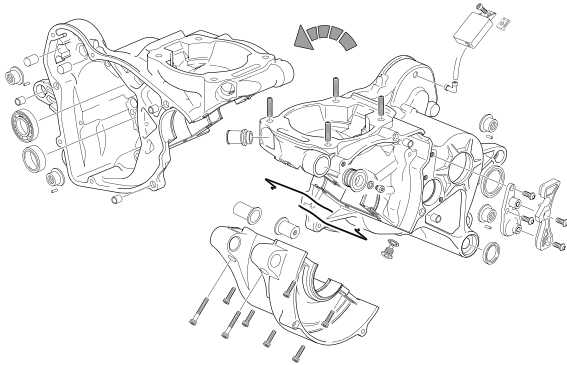
SELECTOR DEL CAMBIO - SHIFTER

PG. 20



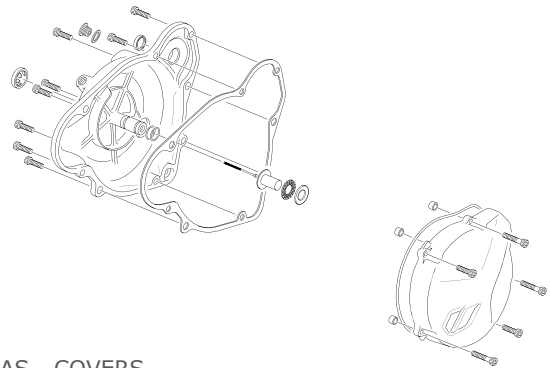
CAMBIO DE MARCHAS - GEARBOX

PG. 21-22



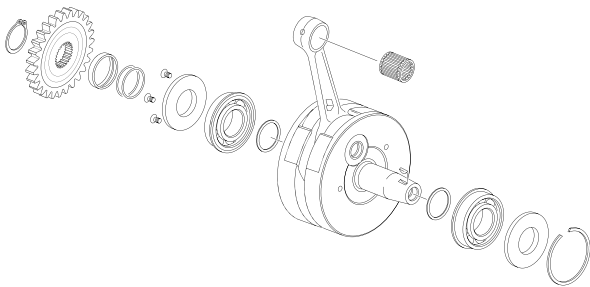
CÁRTERS - CRANKCASE

PG. 23



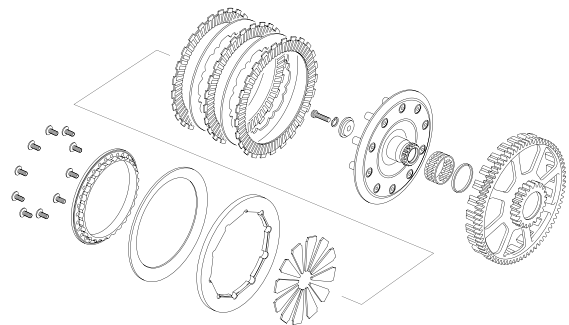
TAPAS - COVERS

PG. 24



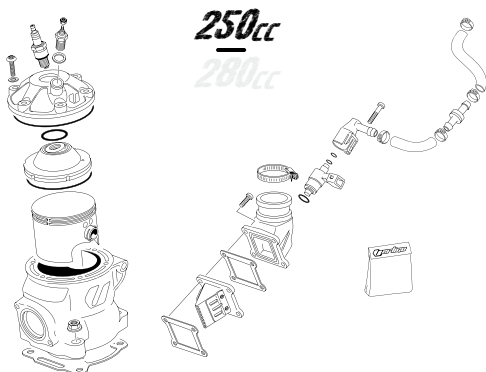
CIGUEÑAL - CRANKSHAFT

PG. 25



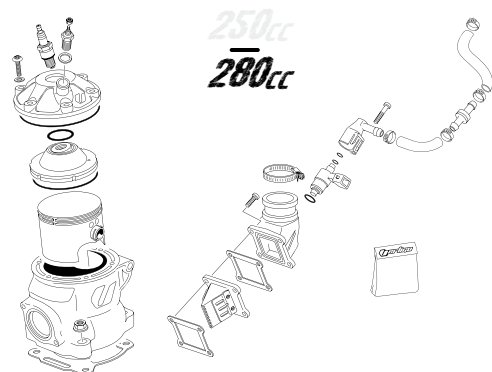
EMBRAGUE - CLUTCH

PG. 26



CILINDRO-CULATA-PISTON - CYLINDER-HEAD-PISTON

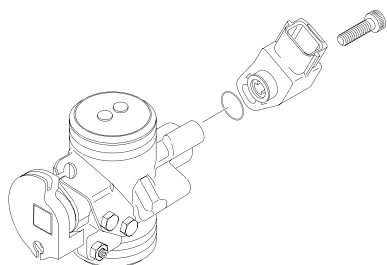
PG. 27



CILINDRO-CULATA-PISTON - CYLINDER-HEAD-PISTON

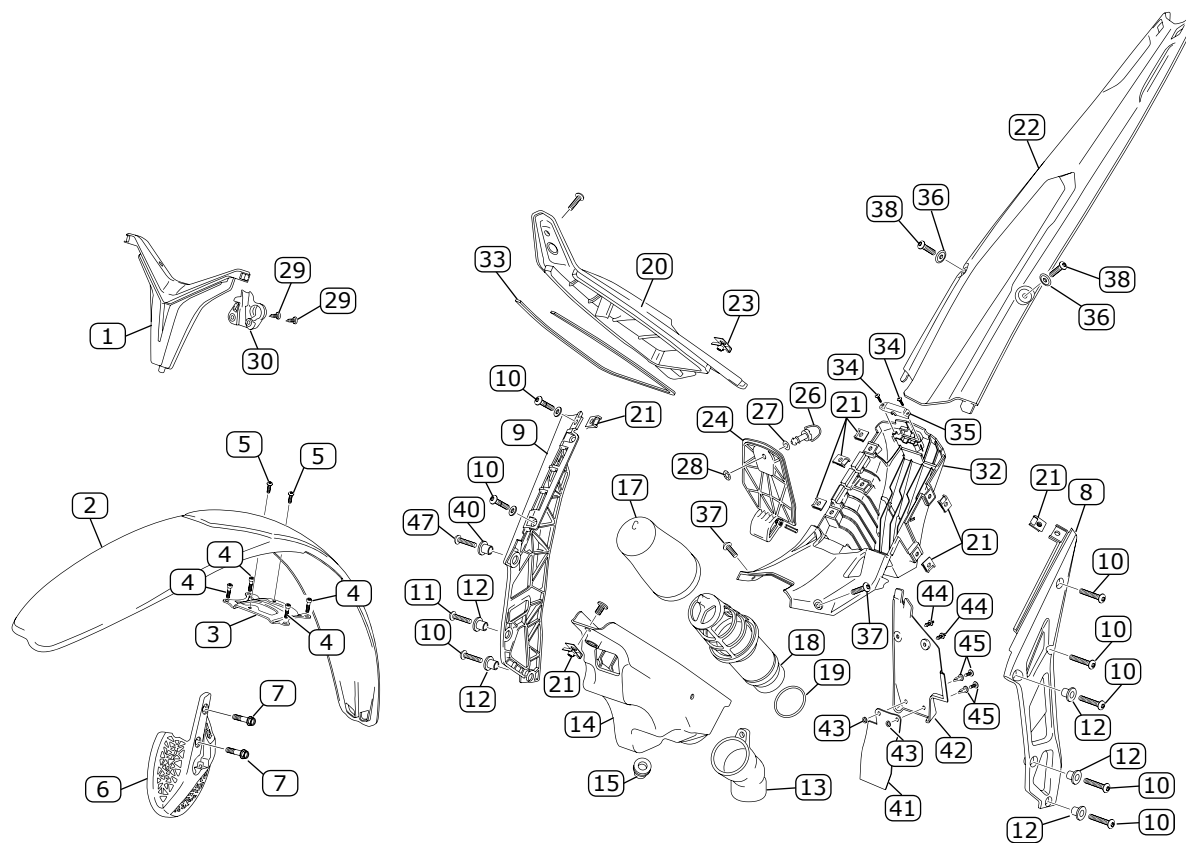


PG. 28

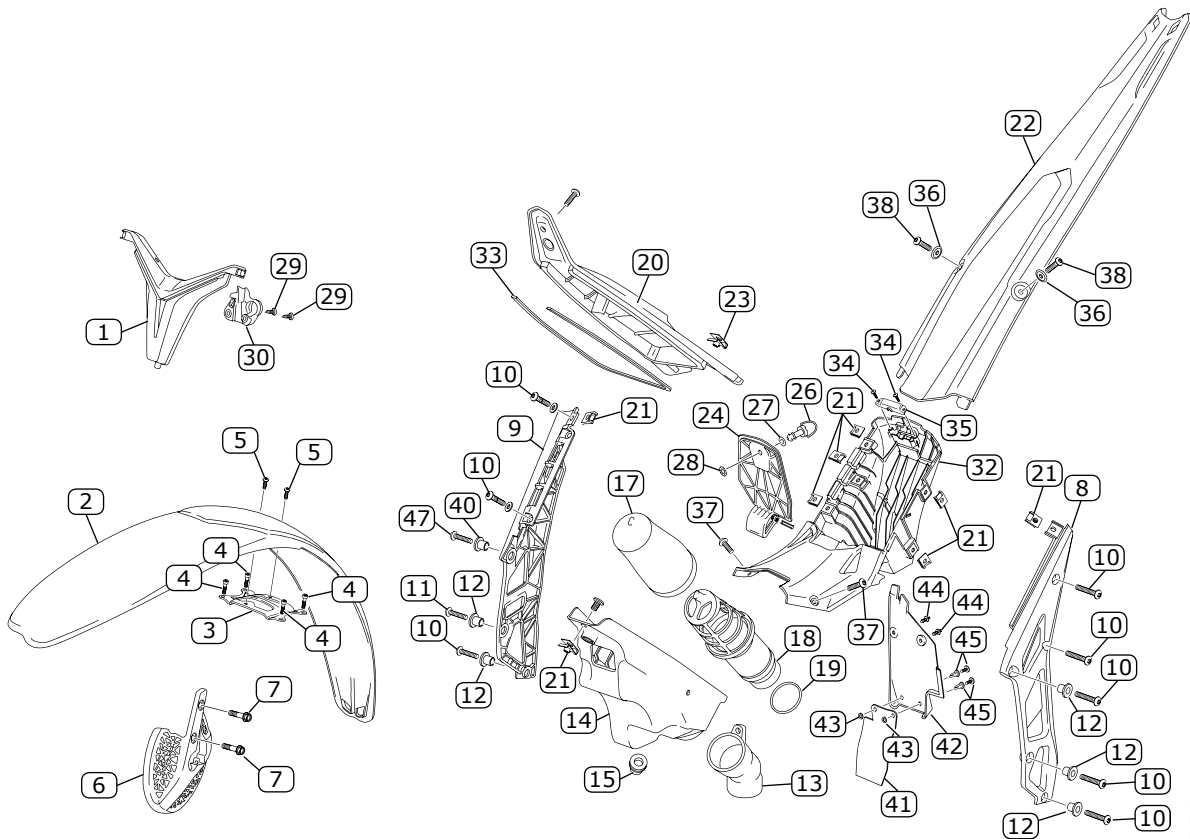


CUERPO INYECCIÓN - INJECTION BODY

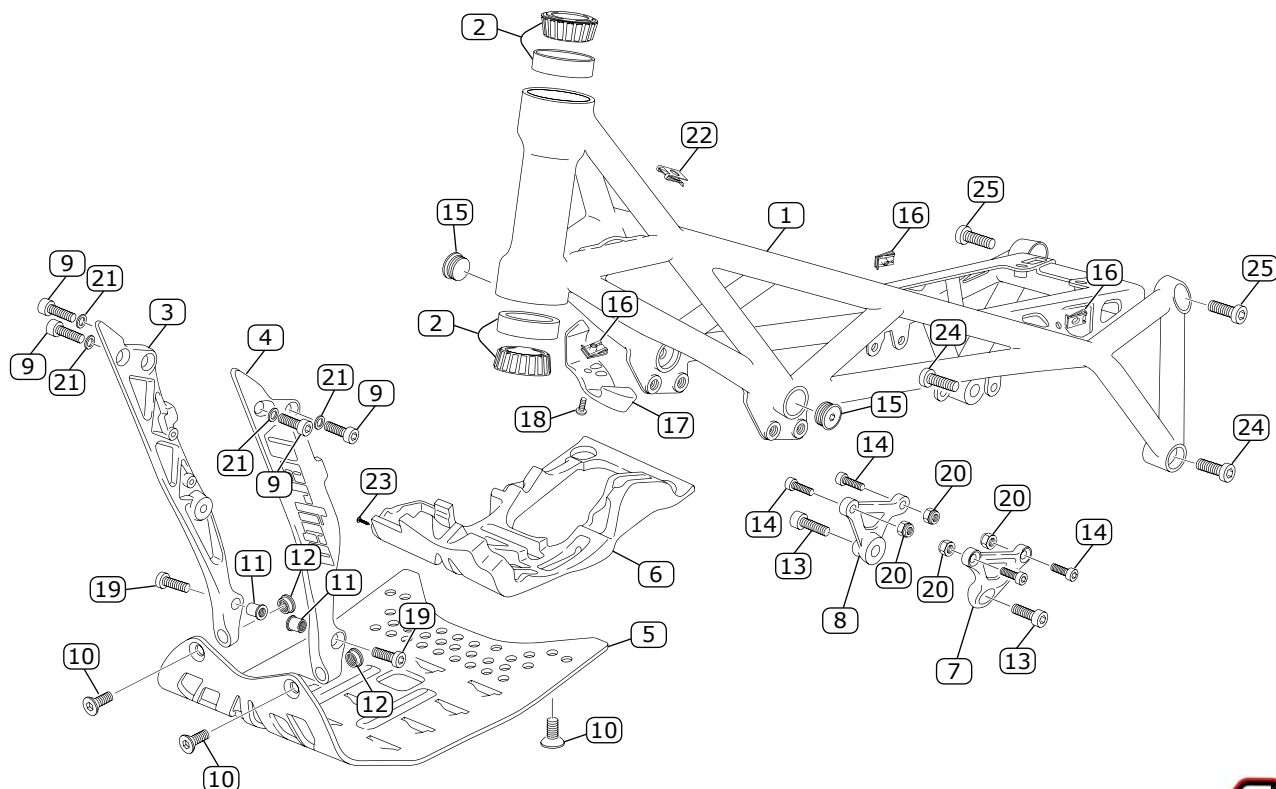




POS.	COD.	DESCRIPCIÓN	DESCRIPTION	QTY.
1	V-1847	CARETA BLANCA	FRONT LIGHT COVER WHITE	1
2	V-1952	GUARDABARROS DELANTERO NITRO RACING	NITRO RACING FRONT MUDGUARD	1
3	V-0428	PUENTE HORQUILLA	FRONT MUDGUARD HOLDER	1
4	V-0680	TORNILLO ESPECIAL M6X14 8.8	SPECIAL SCREW M6X14 8.8	4
5	V-0440	TORNILLO M5X6 ISO 7380 8.8	SCREW M5X6 ISO 7380 8.8	2
6	V-0407	PROTECTOR DISCO FRENO DELANTERO	FRONT BRAKE DISC COVER	1
7	V-0463	TORNILLO ESPECIAL M8X30 DIN6921 8.8	SCREW M8X30 DIN6921 8.8	2
8	V-1857	PROTECTOR ESCAPE NITRO IZQUIERDO	R4 LEFT EXHAUST COVER	1
9	V-1858	PROTECTOR ESCAPE NITRO DERECHO	R4 RIGHT EXHAUST COVER	1
10	V-0646	TORNILLO M6X16 ISO7380 8.8	SCREW M6X16 ISO 7380-1 8.8	8
11	V-0560	TORNILLO M6X20 ISO7380 10.9 NQ	SCREW M6X20 ISO7380 10.9 NQ	1
12	V-1944	CASQUILLO LIMITADOR COMPRESION M6	M6 COMPRESSION LIMITER SLEEVE	5
13	V-0417	GOMA TOBERA-CAJA FILTRO	THROTTLE BODY MANIFOLD	1
14	V-1722	CAJA FILTRO R	AIRBOX R	1
15	V-0420	VALVULA CAJA FILTRO	AIRBOX VALVE	1
16	V-0813	TORNILLO M6X12 ISO 7380-1 8.8	SCREW M6X12 ISO 7380-1 8.8	2
17	V-1726	FILTRO TWIN AIR R	TWIN AIR R FILTER FOAM	1
18	V-1724	REJILLA FILTRO AIRE R	AIR FILTER GRID R	1
19	V-0631	TORICA 44X2,50 DIN 3771	O-RING 44X2,5 DIN 3771	1
20	V-1850	TAPA TURBO NITRO	R4 TURBO COVER	1
21	V-0679	TUERCA RAPIDA TRT-M6	FAST NUT TRT-M6	8
22	V-1957	GUARDABARROS TRASERO NITRO	NITRO REAR WHITE MUDGUARD	1
23	V-0572	BASE CIERRE 1/4 VUELTA	CLOSE 1/4 TURN HOLDER	1
24	V-1854	TAPA DEPOSITO BLANCA	PETROL TANK WHITE COVER	1
25	V-0809	PASADOR TAPA DEPÓSITO GASOLINA	FUEL TANK COVER PIN	1
26	V-0571	CIERRE 1/4 VUELTA	1/4 TURN SCREW	1
27	V-0658	ARANDELA NYLON	NYLON WASHER	1
28	V-0657	RETEN ACERO INOX. CIERRE 1/4 VUELTA	1/4 TURN STAINLESS STEEL WASHER	1
29	V-1026	TORNILLO DE ROSCA CHAPA 3.9X13	SCREW 3.9X13	2
30	V-0832	SOPORTE LED DELANTERO	FRONT LED LIGHT SUPPORT	1

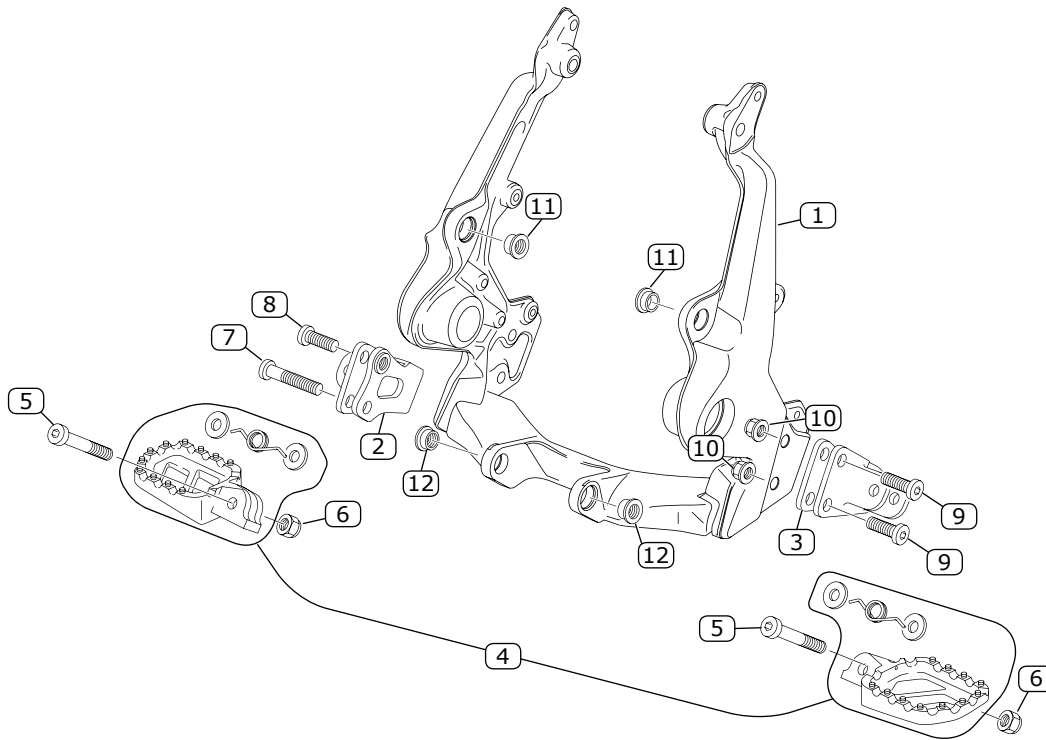


POS.	COD.	DESCRIPCIÓN	DESCRIPTION	QTY.
31	V-1529	TORNILLO M6X20 DIN7991	M6X20 DIN7991	1
32	V-1855	SILLETA NITRO	NITRO SEAT	1
33	V-1725	JUNTA TAPA AIRBOX R	R AIRBOX O-RING	1
34	V-1538	TORNILLO ROSCA ALO TO A-2 3.5X14	SCREW ALO TO A-2 3.5X14	2
35	V-1862	BRIDA LED	LED CLAMP	1
36	V-1463	CASQUILLO GUARDABARROS TRASERO	REAR MUDGUARD SLEEVE	2
37	V-1064	TORNILLO M6X16 ISO7380-1 10.9	SCREW M6X16 ISO7380-1 10.9	2
38	V-1528	TORNILLO M6X12 DIN7991	SCREW M6X12 DIN7991	2
39	V-1652	TORNILLO M6X32 10.9 7380	SCREW M6X32 10.9 7380	1
40	V-1943	CASQUILLO LIMITADOR COMPRESION M8	M8 COMPRESSION LIMITER SLEEVE	1
41	V-1947	BAVETE AMORTIGUADOR NITRO	NITRO SHOCK DUST COVER	1
42	V-1859	PROTECTOR POST DEP NITRO	NITRO POST DEPOSIT PROTECTOR	1
43				2
44	V-1960	REMACHE PROTECTOR POST DEPOSITO	POST DEPOSIT RIVET PROTECTOR	2
45	V-1559	REMACHE UNIVERSAL 5.5MM	UNIVERSAL RIVET 5.5MM	2
46	V-0557	TORNILLO M5X12 ISO7830 8.8 NQ	SCREW M5X12 ISO 7830 8.8	1
47	V-1692	TORNILLO M8X25 DIN 912 10.9 NIQUEL NEGRO	SCREW M8X25 DIN 912 10.9 BLACK	1

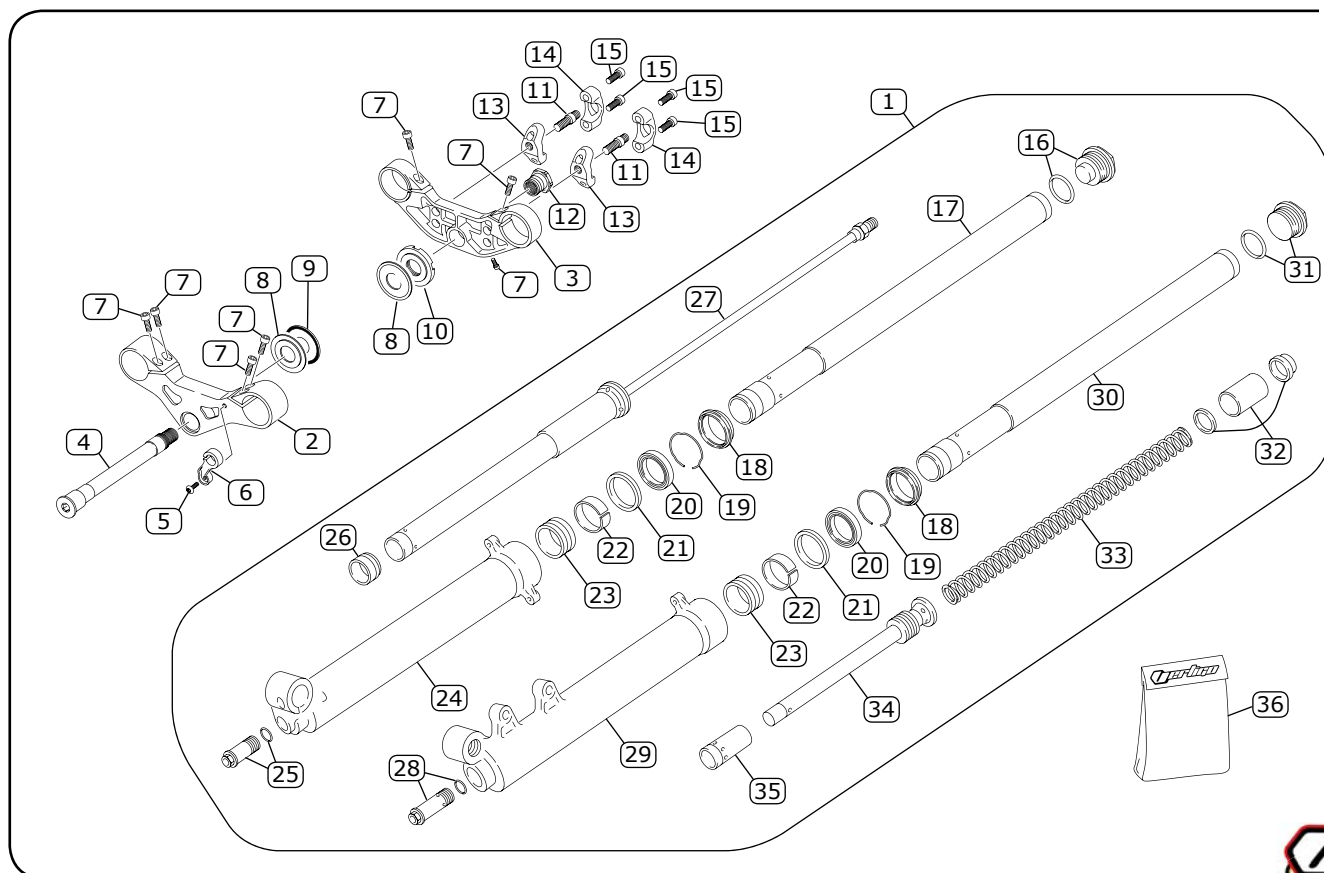


POS.	COD.	DESCRIPCIÓN	DESCRIPTION	QTY.
1	V-1863	CHASIS NITRO	NITRO CHASIS	1
2	V-0280	RODAMIENTO DIRECCIÓN 32004-X	BEARING 32004-X STEERING TUBE	2
3	V-1754	SUBCHASIS DELANTERO DERECHO NEGRO	FRONT BLACK RIGHT SUBFRAME	1
4	V-1755	SUBCHASIS DELANTERO IZQUIERDO NEGRO	FRONT BLACK LEFT SUBFRAME	1
5	V-1894	PROTECTOR CARTER NITRO	NITRO SKID PLATE	1
6	V-1909	GOMA PROTECTOR CARTER NITRO	NITRO SKID PLATE RUBBER	1
7	V-1753	TIRANTE CILINDRO NEGRO IZQUIERDO	LEFT CYLINDER BLACK SUPPORT	1
8	V-1752	TIRANTE CILINDRO NEGRO DERECHO	RIGHT CYLINDER SUPPORT BLACK	1
9	V-1691	TORNILLO M8X16 DIN7984	SCREW M8X16 DIN7984	4
10	V-0456	TORNILLO M8X16 DIN 7991 8.8	SCREW M8X16 DIN 7991 8.8	6
11	V-0328	CASQUILLO SUBCHASIS DEL.	FRONT SUBFRAME SLEEVE	2
12	V-0327	CASQUILLO ROSCADO SUBCHASIS DEL.	FRONT SUBFRAME THREADED SLEEVE	2
13	V-1693	TORNILLO M8X20	SCREW M8X20	2
14	V-1694	TORNILLO M6X16 DIN912 8.8	SCREW M6X16 DIN912 8.8	4
15	V-0581	TAPÓN BASTIDOR TUBULAR	TUBULAR FRAME CAP	2
16	V-0653	TUERCA RAPIDA TRT-M5-1	FAST NUT TRT-M5-1	2
17	V-0573	TOPE DIRECCIÓN	STEERING STOP	1
18	V-0433	TORNILLO M5X16 ISO7380 8.8	SCREW M5X16 ISO7380 8.8	1
19	V-1692	TORNILLO M8X25 DIN 912 10.9	SCREW M8X25 DIN 912 10.9	2
20	V-0836	TUERCA DIN 985 M6	NUT DIN 985 M6	4
21	V-1526	ARANDELA DIN7980 M-8 ZN	WASHER DIN7980 M-8 ZN	4
22	V-1761	TUERCA ENJAULADA M6	M6 CAGE NUT	1
23	V-1251	TORNILLO M4.2X18 DIN 7981 NQ	SCREW 4.2X32 DIN 7981	1
24	V-0455	TORNILLO M10X16 DIN912 10.9 ZINC PLATA	SCREW M10X16 DIN 912 10.9	2
25	V-1955	TORNILLO 10X30 DIN 912	SCREW 10X30 DIN 912	2

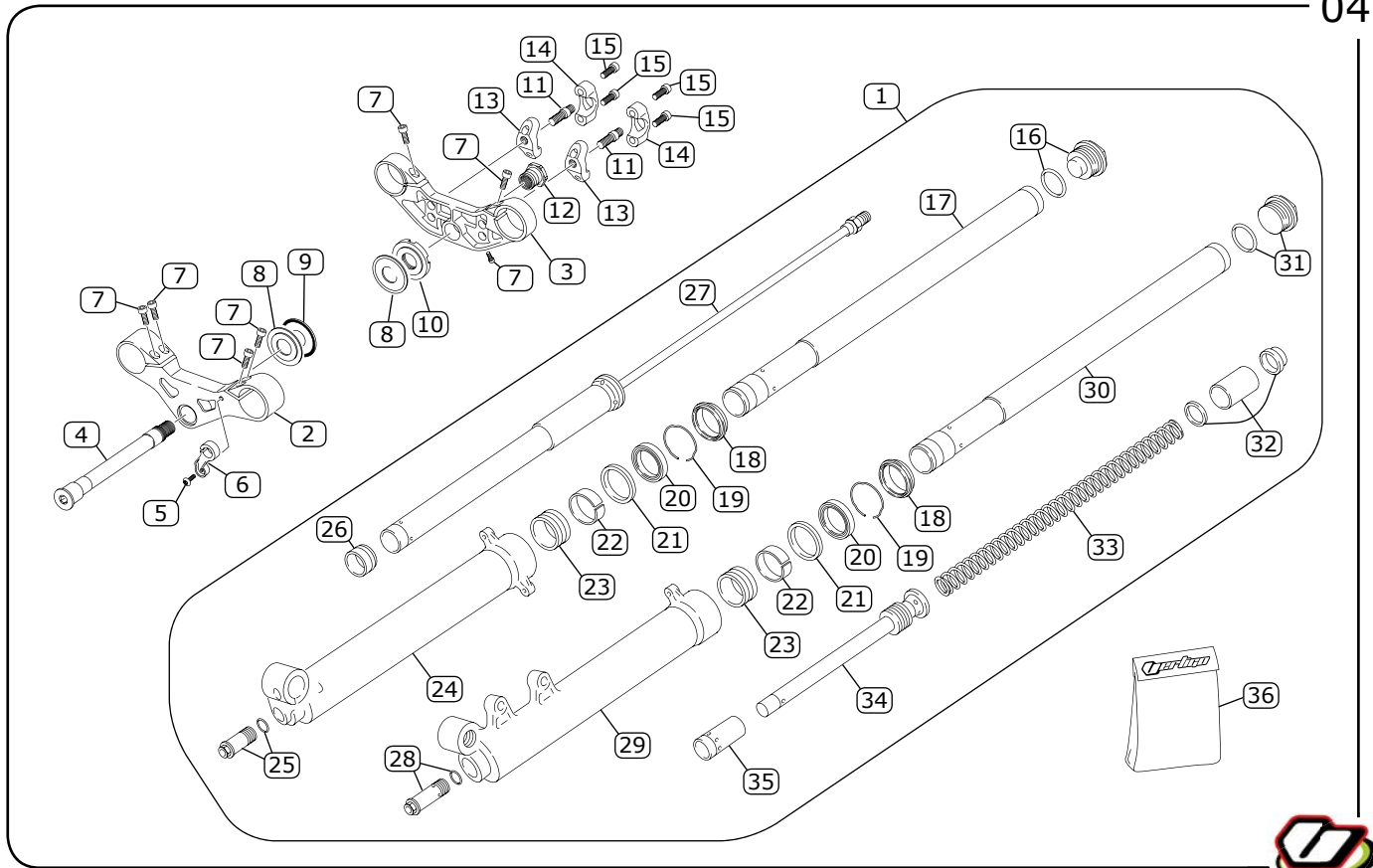




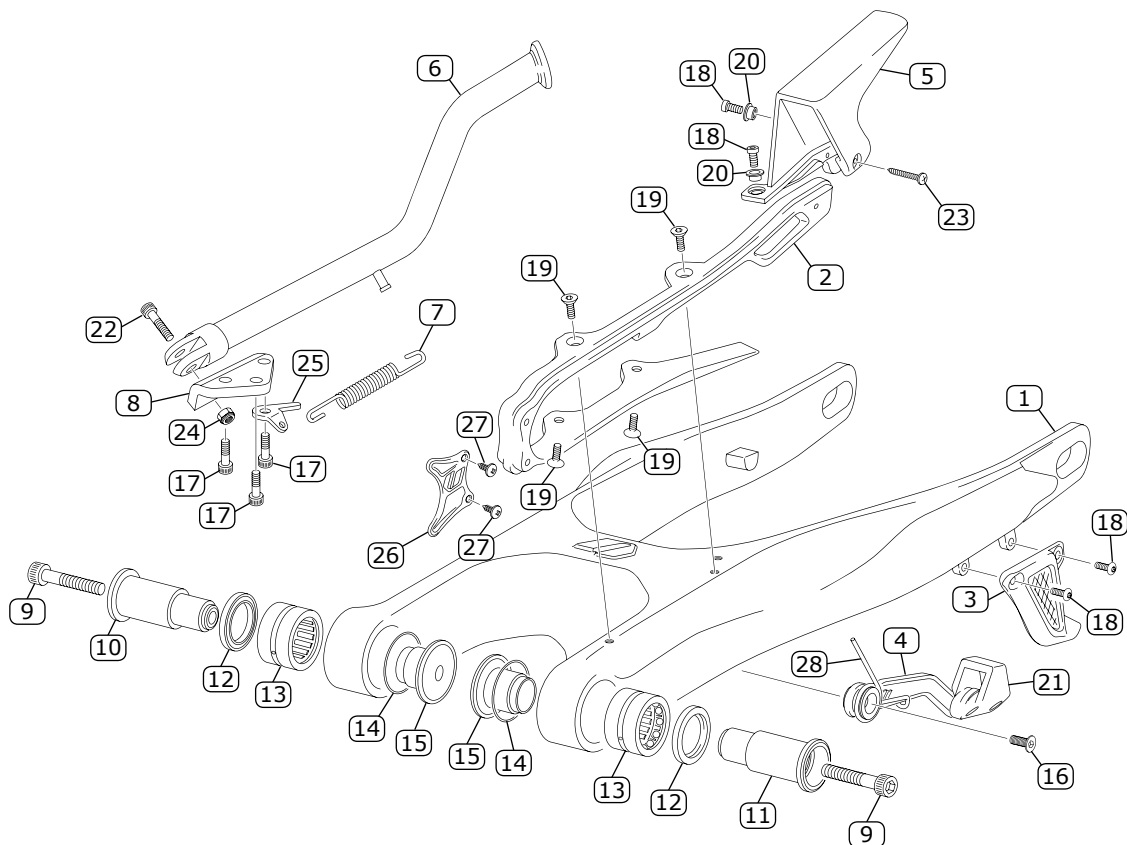
POS.	COD.	DESCRIPCIÓN	DESCRIPTION	QTY.
1	V-1954	SUBCHASIS TRAS. NITRO	NITRO REAR SUBFRAME	1
2	V-0425	SOPORTE ESTRIBERA DER.	RIGHT FOOTREST SUPPORT -	1
3	V-0426	SOPORTE ESTRIBERA IZQ.	LEFT FOOTREST SUPPORT	1
4	V-1796	SET ESTRIBERAS VERTIGO NEGRO	VERTIGO BLACK FOOTREST SET	1
5	V-0469	TORNILLO ESPECIAL M8X45 8.8	SCREW M8X45 8.8	2
6	V-0470	TUERCA M8 AUTOBLOCANTE	M8 AUTOLOCK NUT	2
7	V-0466	TORNILLO M8X50 DIN6912 10.9	SCREW M8X50 DIN6912 10.9	1
8	V-0443	TORNILLO ESPECIAL M8X20 DIN 6912 10.9	SCREW M8X20 DIN 6912 10.9	1
9	V-0459	TORNILLO ESPECIAL M8X28 DIN 6912 10.9	SCREW M8X28 DIN 6912 10.9	2
10	V-0471	TUERCA M8 DIN 6923	NUT M8 DIN 6923	2
11	V-0322	CASQUILLO ROSCADO SOPORTE TRASERO M10	REAR FRAME THREADED SLEEVE M10	2
12	V-0392	CASQUILLO PASANTE M10	THROUGH SLEEVE M10	2



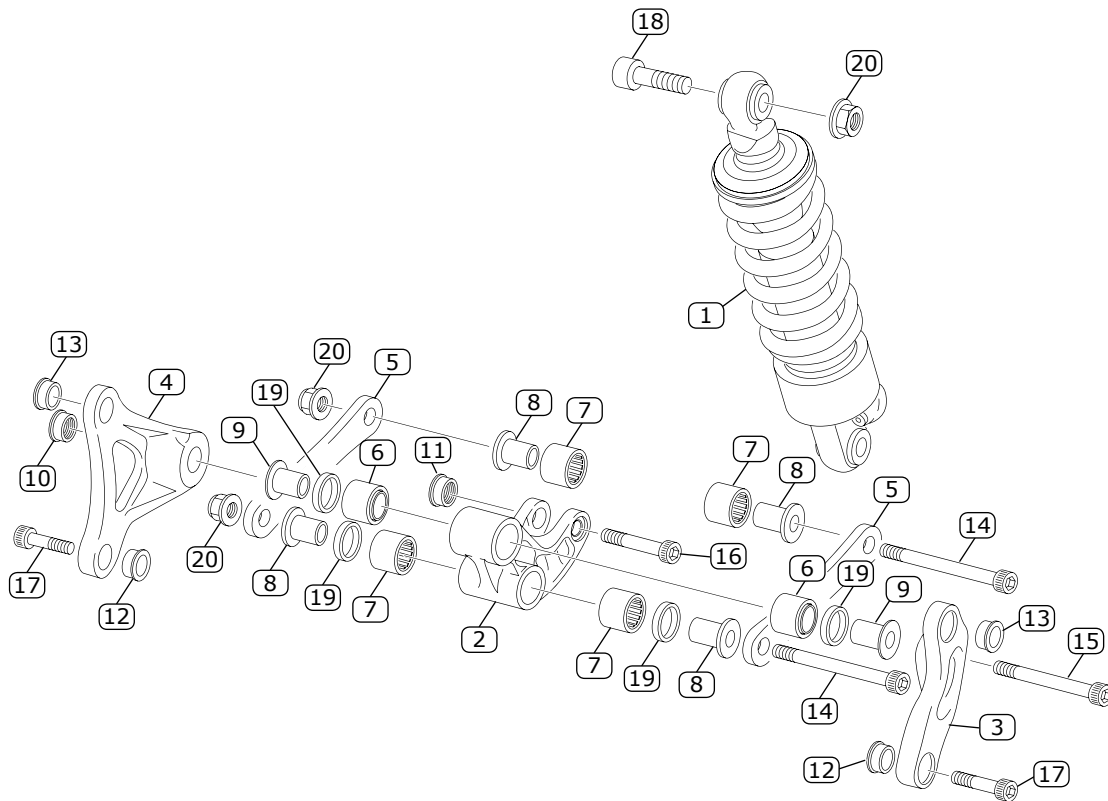
POS.	COD.	DESCRIPCIÓN	DESCRIPTION	QTY.
1	V-1834	HORQUILLA SUSPENSION TECH RACING NEGRA	TECH RACING BLACK FRONT FORK	1
2	V-1824	PLATINA INFERIOR 2021	2021 LOWER TRIPLE CLAMP	1
3	V-1823	PLATINA SUPERIOR 2021	2021 UPPER TRIPLE CLAMP	1
4	V-0516	EJE DIRECCIÓN	STEERING AXLE	1
5	V-0643	TORNILLO M5 X 6MM	SCREW M5 X 6MM	1
6	V-0519	GUIA LATIGUILLO FRENO DEL.	BRAKE HOSE GUIDE	1
7	V-1695	TORNILLO M6 X 20 MM	SCREW M6 X 20 MM	7
8	V-0541	ARANDELA PROTECCIÓN DIRECCIÓN	STEERING PROTECTOR WASHER	1
9	V-0542	ARANDELA DIRECCIÓN	STEERING WASHER	1
10	V-1308	TUERCA DIRECCIÓN INF. ROJA	RED LOWER STEERING NUT	1
11	V-1833	TORNILLO M10X20 DIN 7984 10.9 NEGRO	SCREW M10X20 DIN 7984 10.9 BLACK	2
12	V-0518	TUERCA DIRECCIÓN SUPERIOR	UPPER STEERING NUT	1
13	V-1826	BRIDA MANILLAR INFERIOR 2021	2021 LOWER HANDLEBAR CLAMP	2
14	V-1825	BRIDA MANILLAR SUPERIOR 2021	2021 UPPER HANDLEBAR CLAMP	2
15	V-1692	TORNILLO M8 X 25 MM	SCREW M8 X 25 MM	4
16	V-0980	TAPÓN HORQUILLA DER.	RIGHT FORK CAP	1
17	V-0999	BARRA HORQUILLA DERECHA	RIGHT STANCHION TUBE	1
18	V-0696	GUARDAPOLVO SUSPENSIÓN DEL.	FRONT FORK DUST SEAL	2
19	V-0990	ANILLO RETENCIÓN	RING STOPPER	2
20	V-0695	RETÉN SUSPENSIÓN DEL.	FRONT FORK OIL SEAL	2
21	V-0991	ANILLO RETENCIÓN RETÉN	RING STOP BUSHING OIL SEAL	2
22	V-0992	COJINETE DE FRICCIÓN 39X43X15	BUSH 39X43X15	2
23	V-0993	COJINETE DE FRICCIÓN 38X40X20	BUSH 38X40X20	2
24	V-0994	BOTELLA DERECHA	RIGHT LEG	1
25	V-0995	TORNILLO DE BLOQUEO HIDRÁULICO + AR	LOCK SCREW HYDRAULIC PUMP + WASHER	1
26	V-0996	CONO TOPE DERECHO	CONE LIMIT RIGHT	1
27	V-0997	CARTUCHO	CARTRIDGE	1
28	V-0989	TORNILLO REGULACIÓN AGUJA + AR	NEEDLE REGULATION SCREW + WASHER	1
29	V-0988	BOTELLA IZQUIERDA	LEFT LEG	1
30	V-0983	BARRA HORQUILLA IZQUIERDA	LEFT STANCHION TUBE	1



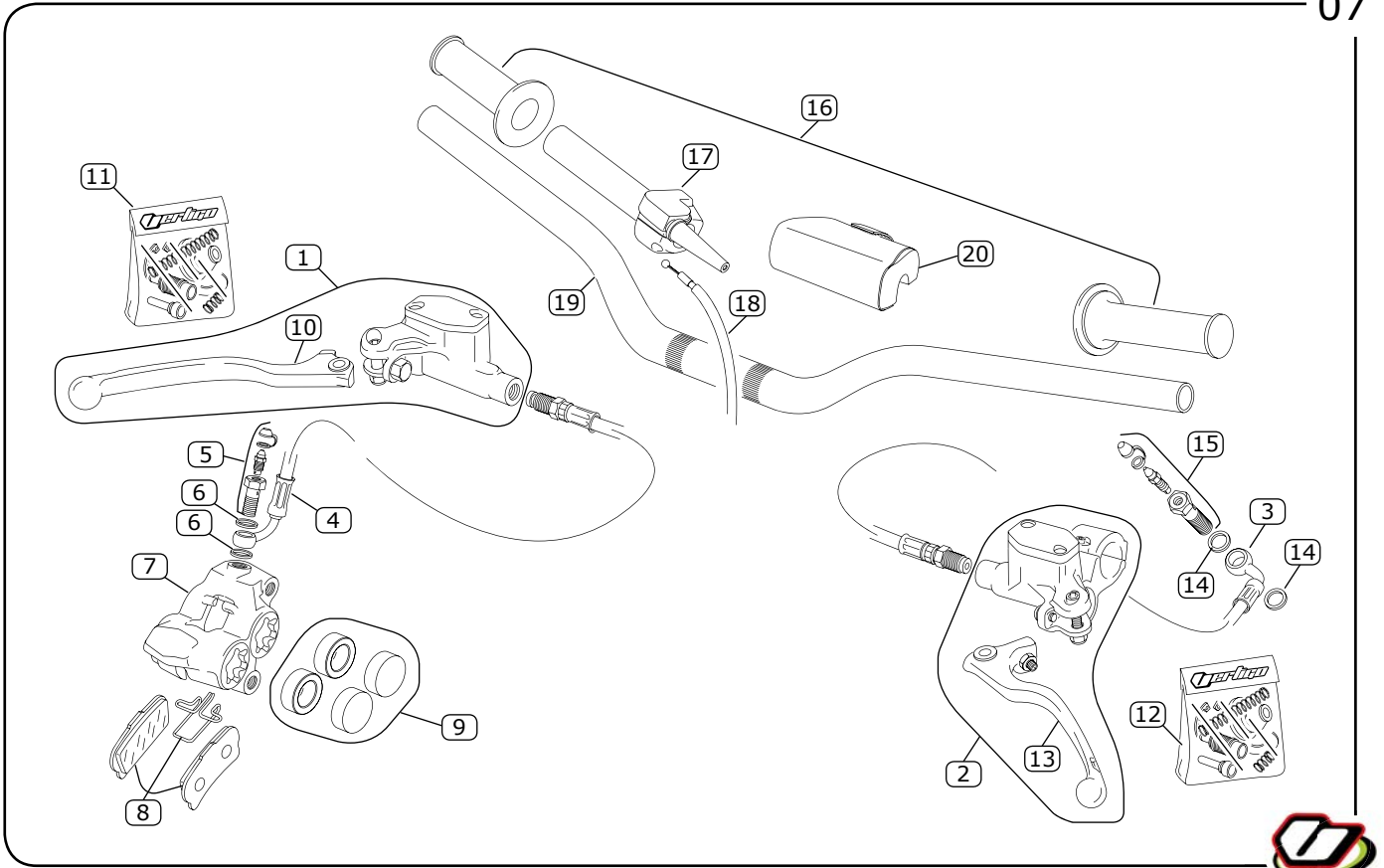
POS.	COD.	DESCRIPCIÓN	DESCRIPTION	QTY.
31	V-0981	TAPÓN HORQUILLA IZQUIERDA	LEFT FORK CAP	1
32	V-0984	ESPACIADORES MUELLE	SPACERS SPRING	1
33	V-0985	MUELLE	SPRING	1
34	V-0986	BOMBA MECÁNICA	MECHANICAL PUMP	1
35	V-0987	CONO TOPE IZQUIERDO	CONE LIMIT LEFT	1
36	V-0998	KIT JUNTAS TAPONES HORQUILLA	FORK CAP WASHERS KIT	1



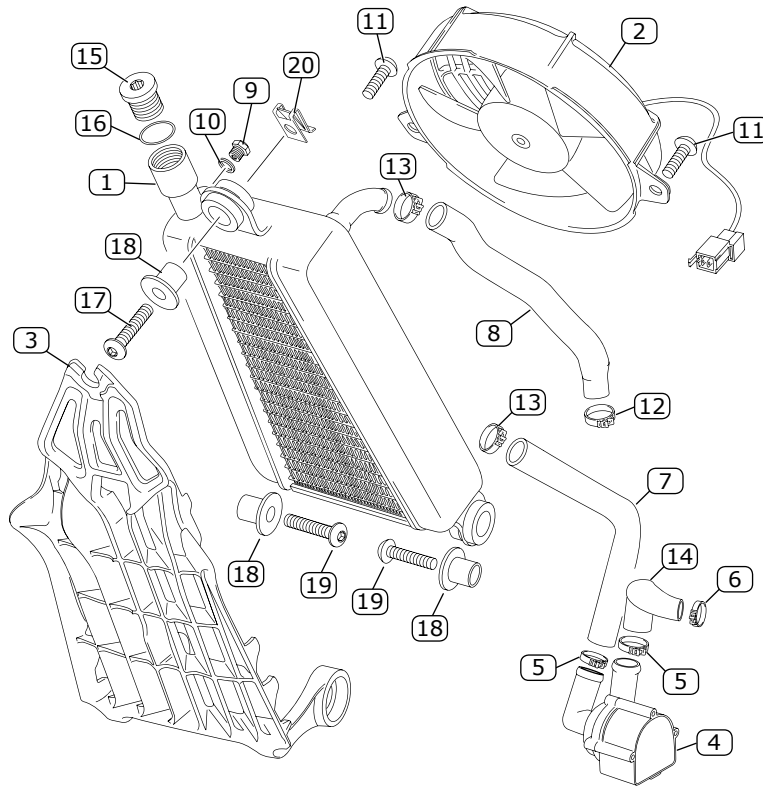
POS.	COD.	DESCRIPCIÓN	DESCRIPTION	QTY.
1	V-0270	BASCULANTE ALUMINIO NEGRO	BLACK ALUMINIUM SWINGARM	1
2	V-0521	PATÍN CADENA	GUIDE CHAIN	1
3	V-0508	PROTECTOR CORONA	SPROCKET PROTECTOR	1
4	V-0318	CONJUNTO TENSOR CADENA	CHAIN TENSIONER SET	1
5	V-0522	CUBRECADENA	CHAIN COVER	1
6	V-1689	CABALLETE NEGRO	BLACK ANODIZED SIDESTAND	1
7	V-1246	MUELLE CABALLETE	STAND SPRING	1
8	V-1253	SOPORTE CABALLETE	SUPPORT STAND	1
9	V-1017	TORNILLO M10X62 DIN 912 12.9	SCREW M10x62 DIN 912 12.9	2
10	V-0735	SEMIEJE BASCULANTE DERECHO ROJO	RIGHT SIDE SWINGARM SEMIAXIS RED	1
11	V-0736	SEMIEJE BASCULANTE IZQUIERDO ROJO	LEFT SIDE SWINGARM SEMIAXIS RED	1
12	V-0338	RETEN 25X35X5 EJE BASCULANTE	SWINGARM LIP SEAL 25x35x5	2
13	V-0281	RODAMIENTO AGUJAS COMBINADO NKIA5904	COMBINED NEEDLE BEARING NKIA5904	2
14	V-0629	JUNTA TÓRICA 31X2 EJE BASCULANTE	O-RING 31x2 SWINGARM SHAFT	2
15	V-0567	PROTECTOR RODAMIENTO BASCULANTE	SWINGARM BEARING PROTECTOR	2
16	V-0460	TORNILLO M8X25 DIN7991 8.8 NQ	SCREW M8x25 DIN7991 8.8 NQ	1
17	V-0908	TORNILLO M8X20 DIN 6912	SCREW M8x20 DIN 6912	3
18	V-0556	TORNILLO M5X10 ISO7380 10.9	SCREW M5X10 ISO7380 10.9	4
19	V-0457	TORNILLO M5X10 DIN7991 10.9	SCREW M5x10 DIN7991 10.9	4
20	V-0568	CASQUILLO PROTECTOR CADENA	CHAIN PROTECTOR SLEEVE	2
21	V-0977	GOMA TENSOR CADENA	CHAIN GUIDE RUBBER	1
22	V-0875	TORNILLO ESPECIAL CABALLETE M8X30	SCREW M8x30 SIDESTAND	1
23	V-0683	TORNILLO ROSCA CHAPA M4.2 X 32 MM	SCREW M4.2 X 32 mm	1
24	V-0470	TUERCA M8 DIN 985 AUTOBLOCANTE	NUT M8 DIN 985 AUTO LOCK	1
25	V-1196	SOPORTE MUELLE CABALLETE	SIDESTAND SPRING SUPPORT	1
26	V-0973	PROTECTOR PIÑON CADENA CARTER	FRONT SPROCKET CHAIN PROTECTOR	1
27	V-0684	TORNILLO ROSCA CHAPA 4.2X9.5 DIN7981	SCREW 4.2x9.5 DIN 7981	2
28	V-0320	MUELLE TENSOR CADENA	CHAIN TENSIONER SPRING	1



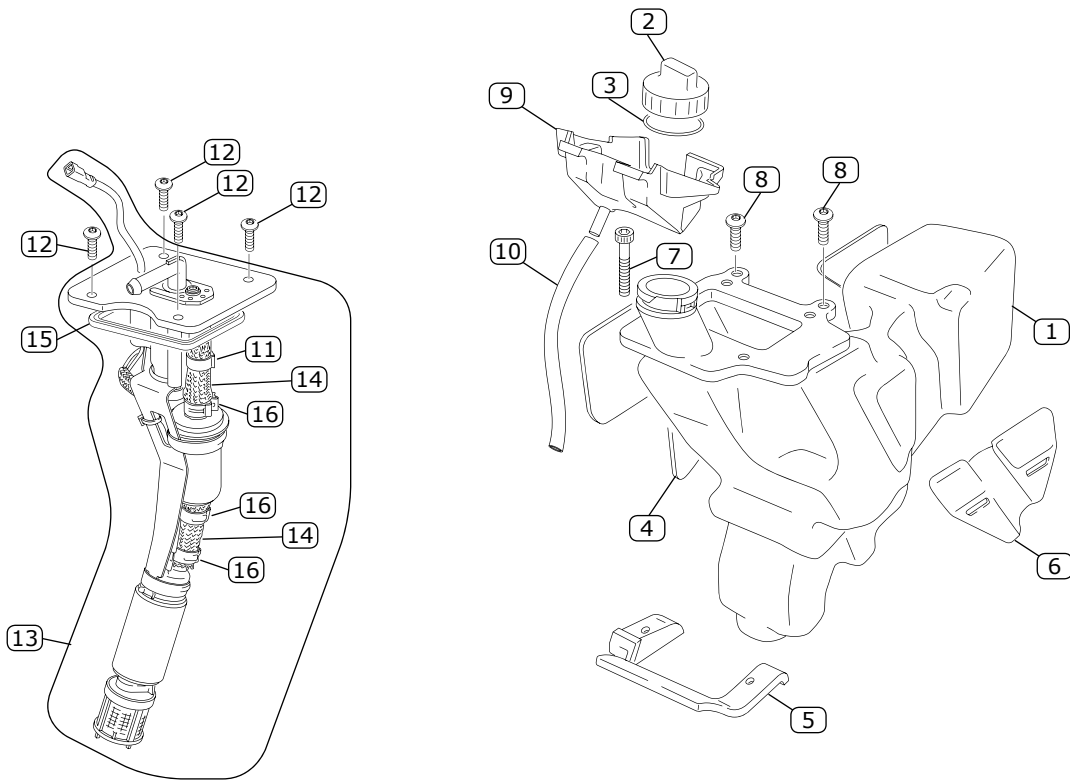
POS.	COD.	DESCRIPCIÓN	DESCRIPTION	QTY.
1	V-1914	AMORTIGUADOR 2 WAYS NITRO DAMPER SPRING 75	AMORTIGUADOR 2 WAYS NITRO DAMPER SPRING 75	1
2	V-1498	TRAPECIO SUSPENSIÓN 2019	SUSPENSION ROCKER 2019	1
3	V-0397	TRIANGULO SUSPENSIÓN IZQ.	LEFT LINKAGE SUPPORT	1
4	V-0398	TRIANGULO SUSPENSIÓN DERECHO	RIGHT LINKAGE SUPPORT	1
5	V-1499	TIRANTE SUSPENSIÓN 2019	TIE LINEAR SUSPENSION LINKAGE 2019	2
6	V-0575	CASQUILLO AGUJAS HK-1616 2RS	NEEDLE CAP HK-1616 2RS	2
7	V-0282	CASQUILLO AGUJAS HK-1620 2RS	NEEDLE CAP HK-1620 2RS	4
8	V-1218	CASQUILLO TRAPECIO BASCULANTE LINEAL	LINEAR ROCKER SLEEVE	4
9	V-1200	CASQUILLO TRAPECIO-TRIANGULOS LINEAL	LINEAR TIE ROD-LINKAGE SLEEVE	2
10	V-0577	CASQUILLO ROSCADO TRAPECIO M10	TIE ROD M10 THREADED SLEEVE	1
11	V-0322	CASQUILLO ROSCADO TRAPECIO-AMORT	TIE ROD THREADED SLEEVE TIE ROD-SHOCK	1
12	V-0661	CASQUILLO TRAPECIO INFERIOR	LOWER TIE ROD SLEEVE	2
13	V-0576	CASQUILLO TRAPECIO SUPERIOR	UPPER TIE ROD SLEEVE	1
14	V-0431	TORNILLO ESPECIAL M10X80 DIN 912 12.9	SCREW M10X80 DIN 912 12.9	2
15	V-0255	TORNILLO ESPECIAL M10X70 DIN 912 12.9	SCREW M10X35 DIN 912 12.9	1
16	V-0256	TORNILLO ESPECIAL M10X40 DIN 7984 12.9	SCREW M10X40 DIN 7984	1
17	V-0254	TORNILLO M10 X 33 MM	TORNILLO ESPECIAL M10X33 DIN 912 12.9	2
18	V-0256	TORNILLO M10X42 DIN7984 12.9 ZINC PLATA	SCREW M10X40 DIN 7984	1
19	V-1235	RETEN 22X16X4 TRAPECIO LINEAL	LIP SEAL 22X16X4 LINEAR SUSPENSION ROCKER	4
20	V-0565	TUERCA M10 DIN 6923	M10 NUT DIN 6923	3



POS.	COD.	DESCRIPCIÓN	DESCRIPTION	QTY.
1	V-1576	BOMBA FRENO DELANTERA	FRONT BRAKE PUMP	1
2	V-1508	CTO. BOMBA EMBRAGUE	CLUTCH PUMP SET	1
3	V-0355	LATIGUILLO EMBRAGUE	CLUTCH HOSE	1
4	V-0364	LATIGUILLO FRENO DELANTERO	FRONT BRAKE HOSE	1
5	V-0723	RACOR FRENO DELANTERO	RACORD FRONT BRAKE	1
6	V-0724	ARANDELA BANJO	BANJO WASHER	2
7	V-1561	PINZA FRENO DELANTERA	FRONT BRAKE CALIPER	1
8	V-1562	PASTILLAS FRENO DELANTERAS 2019	2019 FRONT BRAKE PADS	1
9	V-1563	KIT REPARACIÓN PISTÓN PINZA FRENO DEL.	FRONT CALIPER PISTON REPAIR KIT	1
10	V-0366	MANETA FRENO DELANTERA	FRONT BRAKE LEVER	1
11	V-1565	KIT REPARACIÓN BOMBA FRENO DELANTERA	FRONT BRAKE PUMP REPAIR KIT	1
12	V-1566	KIT REPARACIÓN BOMBA EMBRAGUE	CLUTCH PUMP REPAIR KIT	1
13	V-0722	MANETA EMBRAGUE	CLUTCH LEVER	1
14	V-0611	ARANDELA ALU. RACORD EMBRAGUE	CLUTCH RACORD ALUMINIUM WASHER	2
15	V-0610	RACOR M10 EMBRAGUE	RACORD M10 CLUTCH	1
16	V-0895	JUEGO PUÑOS RENTHAL	RENTHAL GRIPS SET	1
17	V-0303	MANDO GAS	THROTTLE	1
18	V-0697	CABLE GAS CON TENSOR	THROTTLE WIRE WITH TENSIONER	1
19	V-1782	MANILLAR RENTHAL FATBAR NEGRO	RENTHAL FATBAR BLACK HANDLEBAR	1
20	V-1270	PROTECTOR MANILLAR RENTHAL	RENTHAL HANDLEBAR PROTECTOR	1

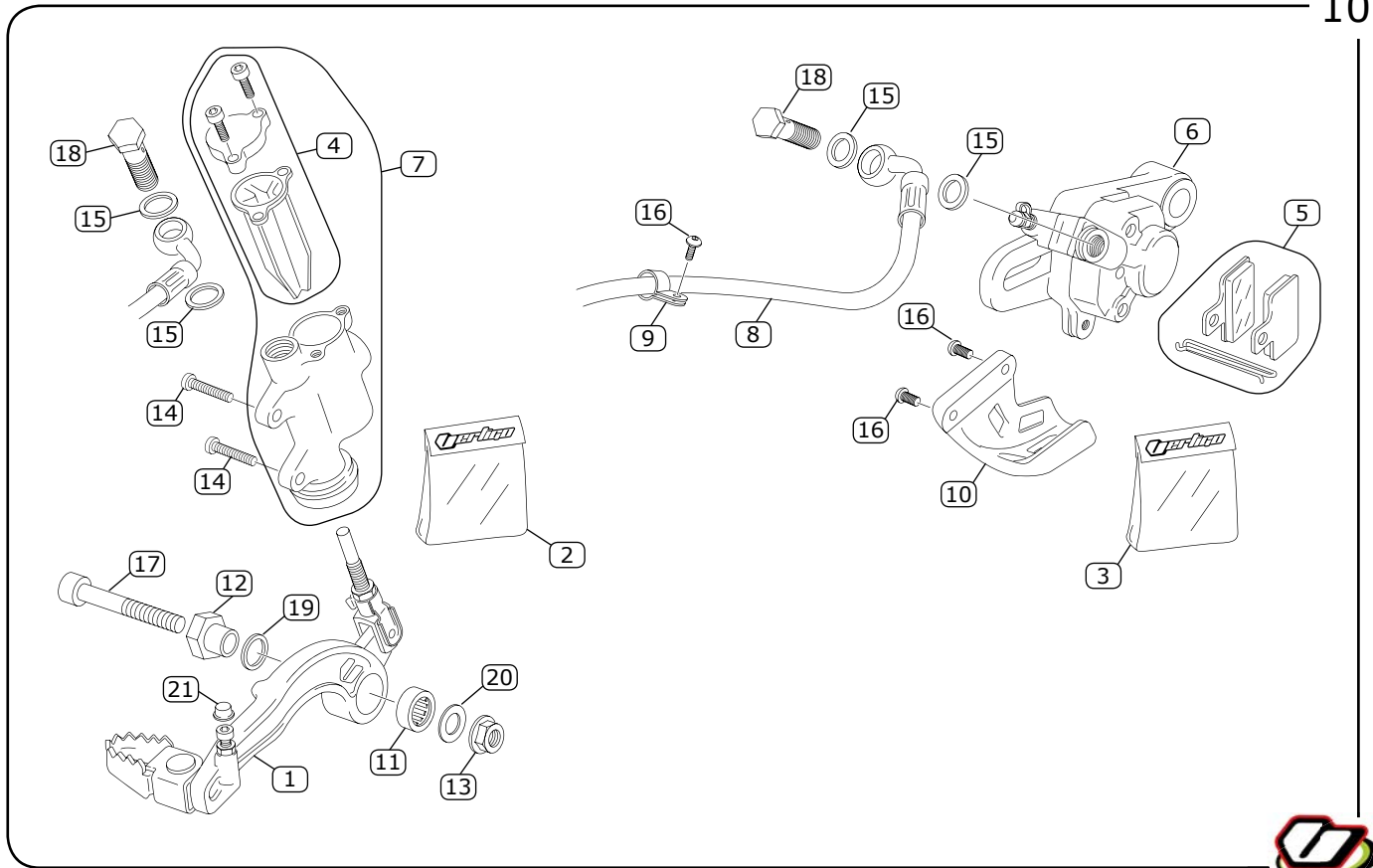


POS.	COD.	DESCRIPCIÓN	DESCRIPTION	QTY.
1	V-1648	RADIADOR RACING	RACING RADIATOR	1
2	V-1623	VENTILADOR	FAN	1
3	V-1848	PROTECTOR RADIADOR BLANCO	RADIATOR WHITE GRILL	1
4	V-1922	BOMBA DE AGUA NITRO	NITRO WATER PUMP	1
5	V-1008	ABRAZADERA COBRA 25/8	COBRA CLAMP 25/8	2
6	V-1516	ABRAZADERA CLIK INOX 19 W-4	CLAMP CLIK INOX 19 W-4	1
7	V-1911	TUBO ENTRADA BOMBA AGUA NITRO	NITRO INLET WATER PUMP TUBE	1
8	V-1092	TUBO SUP. RADIADOR-CULATA	COOLANT HOSE RADIATOR-CYLINDER HEAD	1
9	V-0796	VÁLVULA RADIADOR	RADIATOR VALVE	1
10	V-1063	ARANDELA ALUMINIO 8X12X1.5	ALUMINIUM WASHER 8X12X1.5	1
11	V-0557	TORNILLO M5X12 ISO7830 8.8	SCREW M5X12 ISO7830 8.8	2
12	V-0588	ABRAZADERA COBRA 22/8	COBRA CLAMP 22/8	1
13	V-0587	ABRAZADERA COBRA 18/8	COBRA CLAMP 18/8	2
14	V-1910	TUBO SALIDA BOMBA AGUA NITRO	NITRO OUTLET WATER PUMP TUBE	1
15	V-0974	TAPÓN RADIADOR	RADIATOR CAP	1
16	V-0979	JUNTA TAPON RADIADOR	RADIATOR CAP O-RING	1
17	V-1054	TORNILLO M6X40 DIN 912 10.9	SCREW M6X40 DIN 912 10.9	1
18	V-1067	CASQUILLO SILENTBLOCK RADIADOR	RADIATOR SILENTBLOCK SLEEVE	3
19	V-0447	TORNILLO M6X20 DIN 912 8.8	SCREW M6X20 DIN 912 8.8	2
20	V-0679	TUERCA RAPIDA TRT-M6-2	FAST NUT TRT-M6-2	1

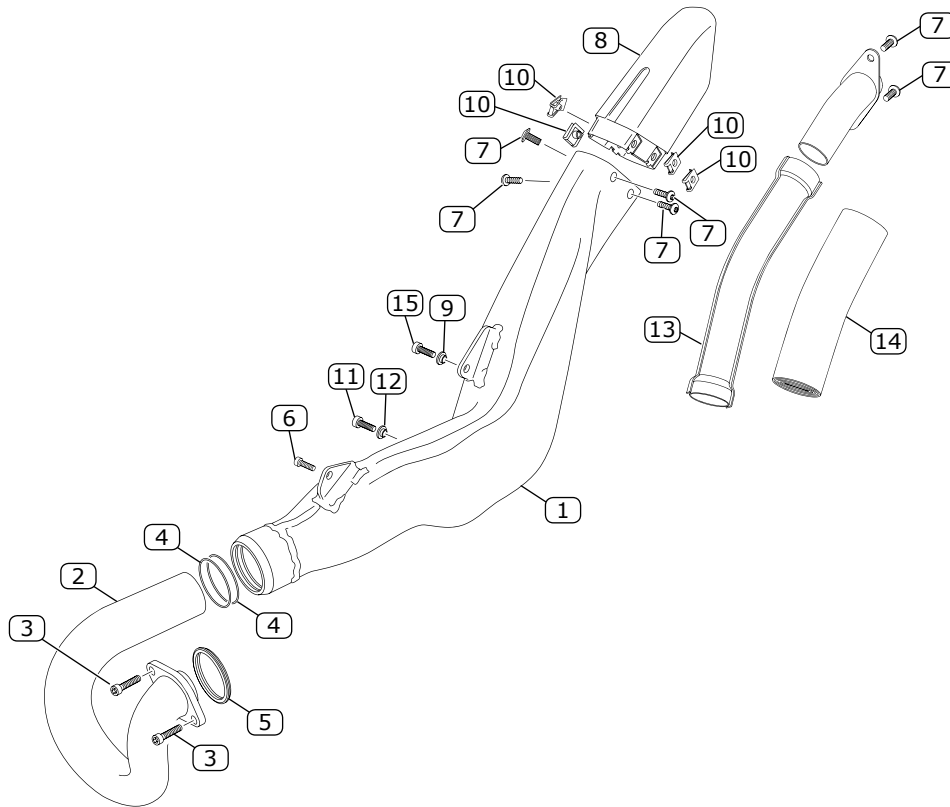


POS.	COD.	DESCRIPCIÓN	DESCRIPTION	QTY.
1	V-1856	DEPÓSITO NITRO	NITRO FUEL TANK	1
2	V-1935	TAPÓN DEPÓSITO GASOLINA	FUEL TANK CAP	1
3	V-0799	JUNTA TÓRICA TAPÓN DEPÓSITO	FUEL TANK CAP O-RING	1
4	V-0833	CTO. ADHESIVO PROTECTOR TÉRMICO	TERMIC STICKER KIT	1
5	V-0530	GOMA INFERIOR SOPORTE DEPOSITO	LOWER FUEL TANK RUBBER SUPPORT	1
6	V-1925	PROTECTOR DEPOSITO NITRO	NITRO DEPOSIT COVER	1
7	V-0555	TORNILLO M5X30 DIN 912	SCREW M5X30 DIN 912	1
8	V-0554	TORNILLO M5X10 DIN 6912 8.8	SCREW M5X10 DIN 6912 8.8	2
9	V-1907	REBOSADERO	OVERFLOW	1
10	V-1617	TUBO DESVAPORIZADOR RACING	BREATHER HOSE	1
11	V-1266	BRIDA COBRA 11,0/7	COBRA CLAMP 11,0/7	1
12	V-0556	TORNILLO M5X12 ISO 7830 8.8	SCREW M5X12 ISO 7830 8.8	2
13	V-1192	CONJUNTO BOMBA GASOLINA 2017	PETROL PUMP SET 2017	1
14	V-1256	TUBO GASOLINA DE BOMBA A FILTRO	PETROL HOSE PUMP-FILTER	1
15	V-0630	JUNTA GOMA REGISTRO	PETROL TANK REGISTER SEAL	1
16	V-1248	ABRAZADERA CLIK INOX-A2 W4 D-12	INOX CLICK CLAMP A2 W4 D-12	3

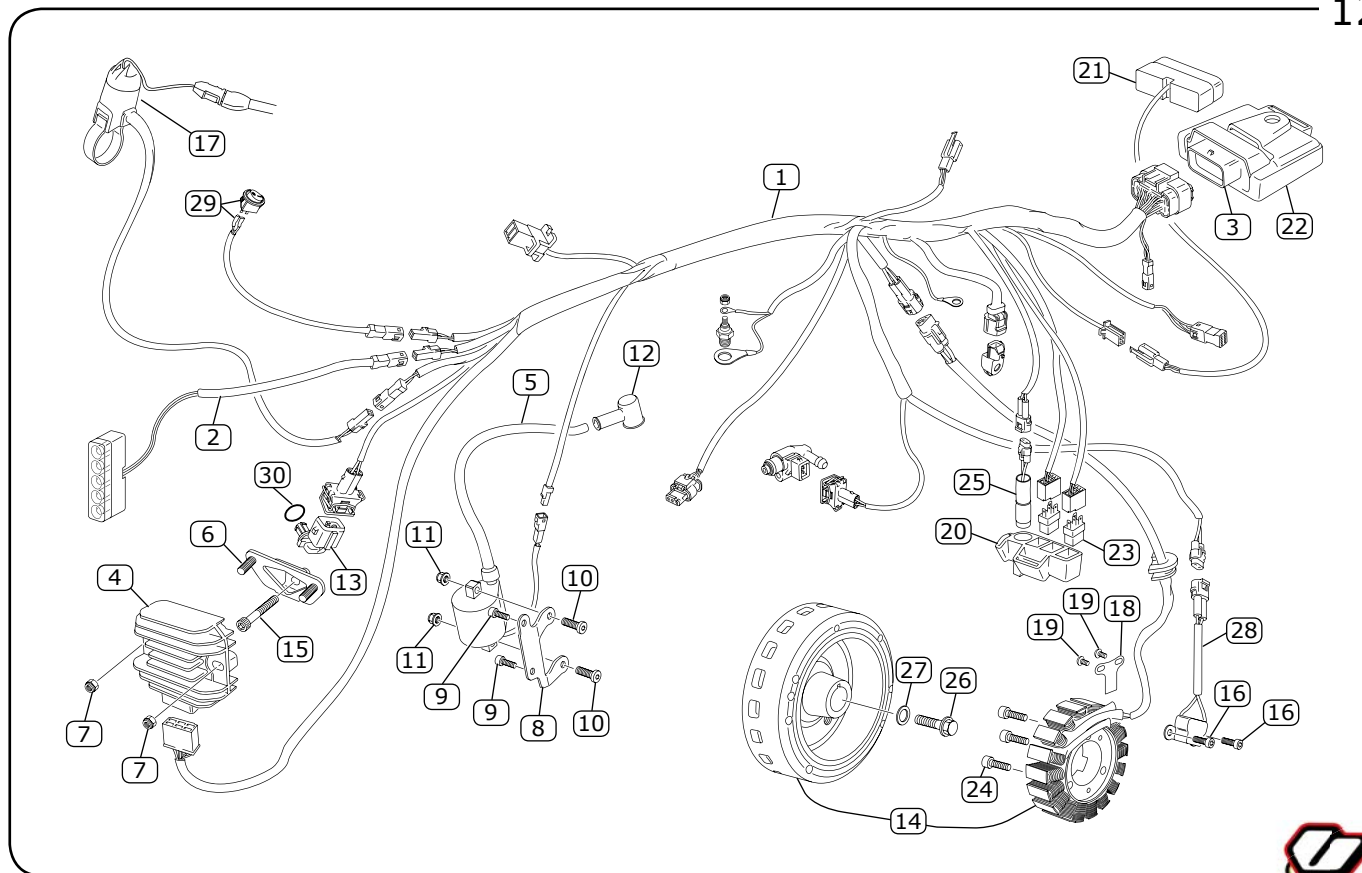




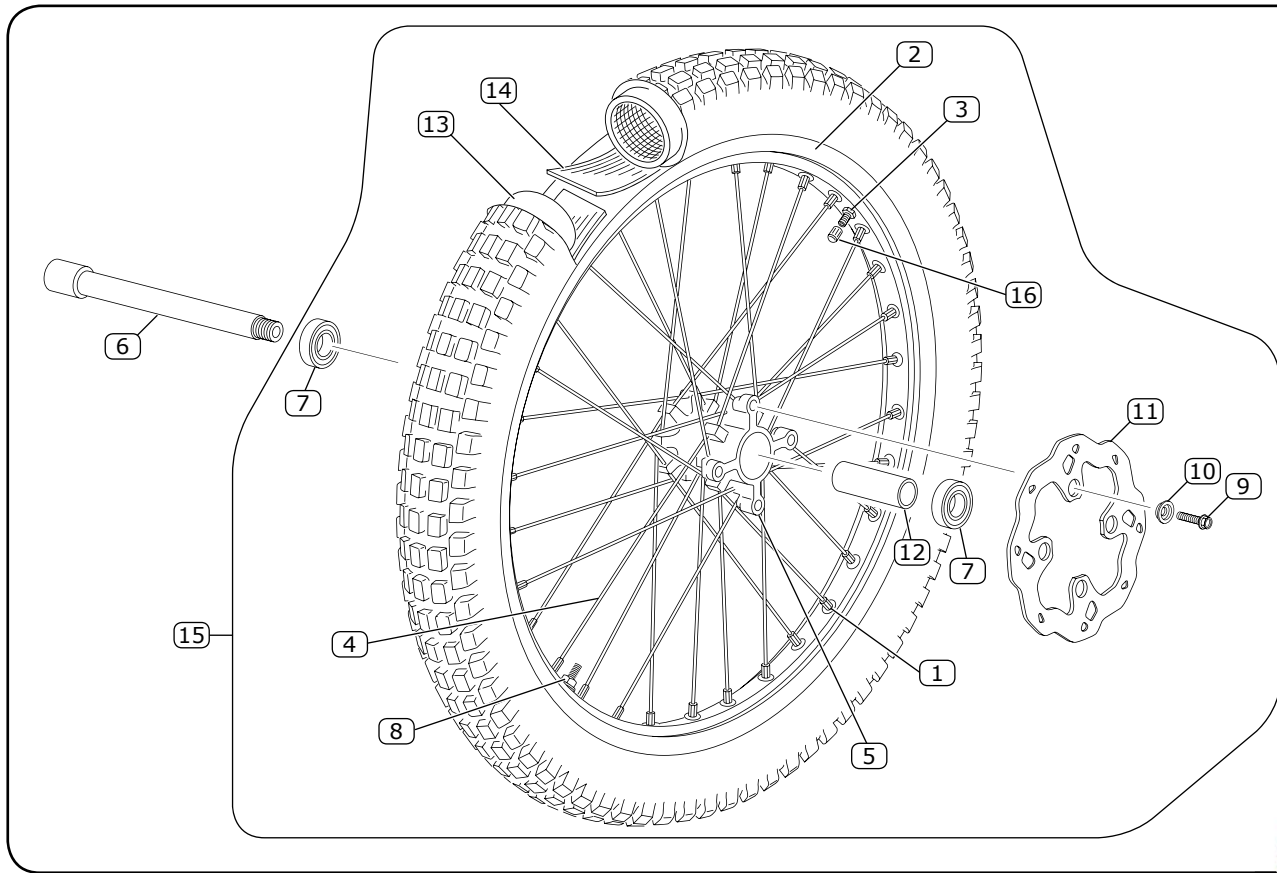
POS.	COD.	DESCRIPCIÓN	DESCRIPTION	QTY.
1	V-0294	PEDAL FRENO	BRAKE PEDAL	1
2	V-0369	KIT REPARACIÓN BOMBA FRENO TRASERO	REAR BRAKE PUMP REPAIR KIT	1
3	V-0963	KIT REPARACIÓN PINZA FRENO TRASERA	REAR BRAKE CALIPER REPAIR KIT	1
4	V-0964	KIT TAPA BOMBA FRENO TRASERO	REAR BRAKE PUMP COVER KIT	1
5	V-0368	PASTILLAS DE FRENO TRASERAS	REAR BRAKE PADS	1
6	V-0352	PINZA FRENO TRASERO	REAR BRAKE CALIPER	1
7	V-0351	BOMBA FRENO TRASERO	REAR BRAKE PUMP	1
8	V-1986	LATIGUILLO FRENO TRASERO NITRO	NITRO REAR BRAKE HOSE	1
9	V-0590	GRAPA SUJECIÓN LATIGUILLO	HOSE FASTENER CLIP	1
10	V-0513	PROTECTOR DISCO FRENO TRASERO	REAR BRAKE DISC PROTECTOR	1
11	V-0405	RODAMIENTO PEDAL FRENO	BRAKE PEDAL BEARING	1
12	V-0404	CASQUILLO HEXAGONAL	HEXAGONAL CAP	1
13	V-0685	TUERCA M8 DIN 985 AUTOBLOCANTE	NUT M8 DIN 985 AUTOLOCK	1
14	V-0561	TORNILLO M6X25 DIN 7984 8.8	SCREW M6X25 DIN 7984 8.8	2
15	V-1009	ARANDELA BANJO FRENO TRASERO	REAR BRAKE BANJO WASHER	4
16	V-0556	TORNILLO M6X10 ISO 7380 8.8	SCREW M6X10 ISO 7380 8.8	1
17	V-0466	TORNILLO M8X50 DIN6912 10.9	SCREW M8X50 DIN6912 10.9	1
18	V-1010	RACOR FRENO TRASERO	REAR BRAKE RACOR	1
19	V-1238	ARANDELA 12X24X2.5 DIN125	WASHER DIN 125 12X24X2.5	1
20	V-0874	ARANDELA M8	WASHER M8	1
21	V-1527	TAPON NEGRO DIN915 M5	BLACK CAP DIN915 M5	1



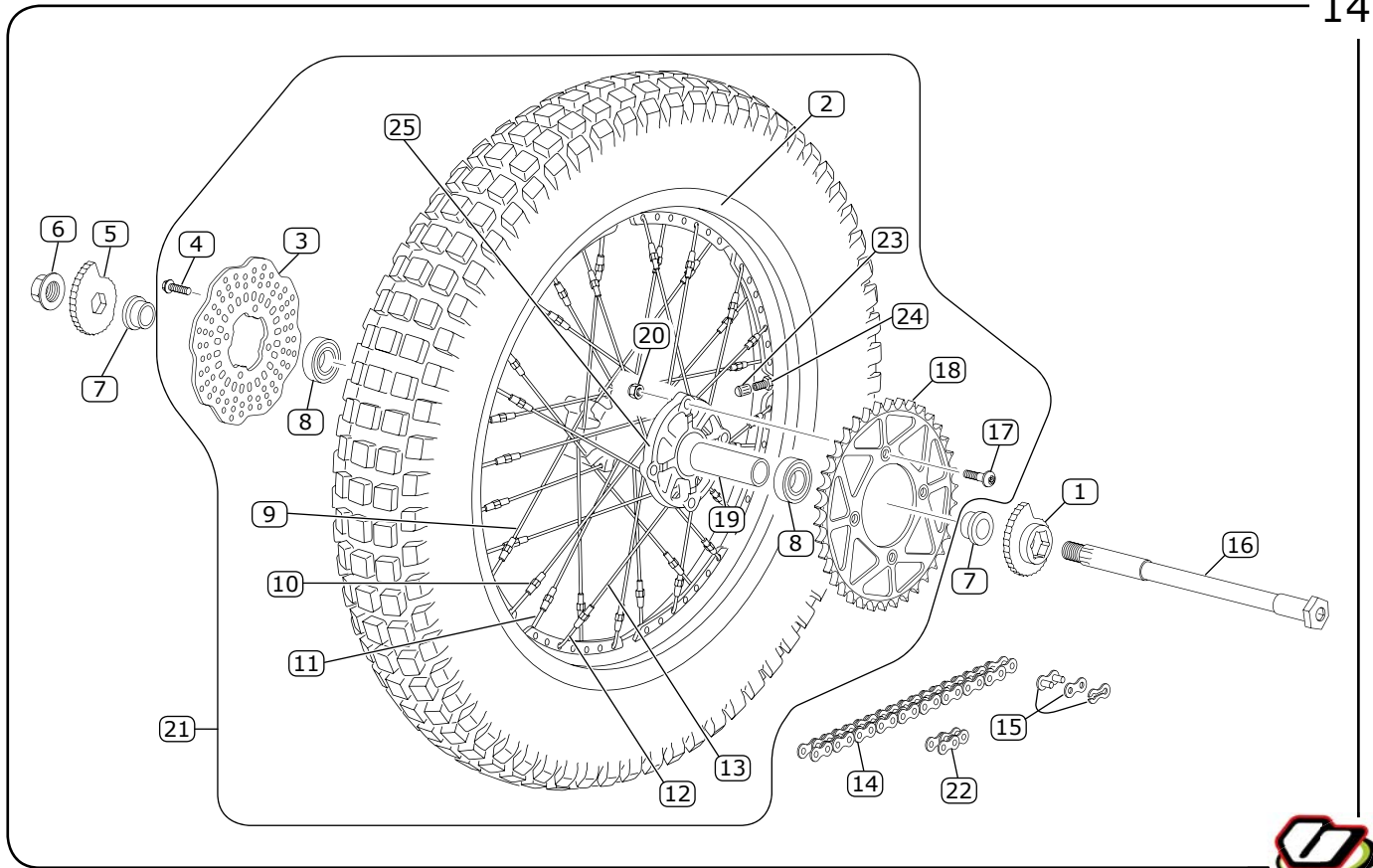
POS.	COD.	DESCRIPCIÓN	DESCRIPTION	QTY.
1	V-1816	SILENCIADOR NITRO	NITRO EXHAUST	1
2	V-1926	COLECTOR ESCAPE NITRO	NITRO EXHAUST PIPE	1
3	V-0447	TORNILLO M6X20 DIN 912 8.8	SCREW M6X20 DIN 912 8.8	2
4	V-0386	JUNTA TÓRICA SILENCIADOR 0.44X3.50 VITON	SILENCER O-RING 044X3,50 VITON	1
5	V-0512	JUNTA ESCAPE 38X45.2X5.5	EXHAUST SEAL 38X45.2X5.5	2
6	V-0645	TORNILLO M6X16 DIN7984 8.8	SCREW M6X16 DIN7984 8.8	1
7	V-0556	TORNILLO M5X10 ISO7380 10.9 ZINC PLATA	SCREW M5X10 ISO7380 10.9	6
8	V-1987	CAZOLETA ESCAPE NITRO	EXHAUST END CAP	1
9	V-1943	CASQUILLO LIMITADOR COMPRESION M8	M8 COMPRESSION LIMITER SLEEVE	1
10	V-0653	TUERCA RAPIDA TRT-M5-1	FAST NUT TRT-M5-1	4
11	V-0560	TORNILLO M6X20 ISO7380 10.9 NQ	SCREW M6X20 ISO 7380 8.8	1
12	V-1944	CASQUILLO LIMITADOR COMPRESION M6	M6 COMPRESSION LIMITER SLEEVE	1
13	V-1989	SUPRESOR INTERIOR ESCAPE NITRO	EXHAUST MUFFLER NITRO 125CC	1
14	V-1988	FIBRA ESCAPE NITRO	EXHAUST FIBERGLASS NITRO 125CC	1
15	V-1692	TORNILLO M8X25 DIN 912 10.9 NIQUEL NEGRO	SCREW M8X25 DIN 912 10.9 BLACK	1



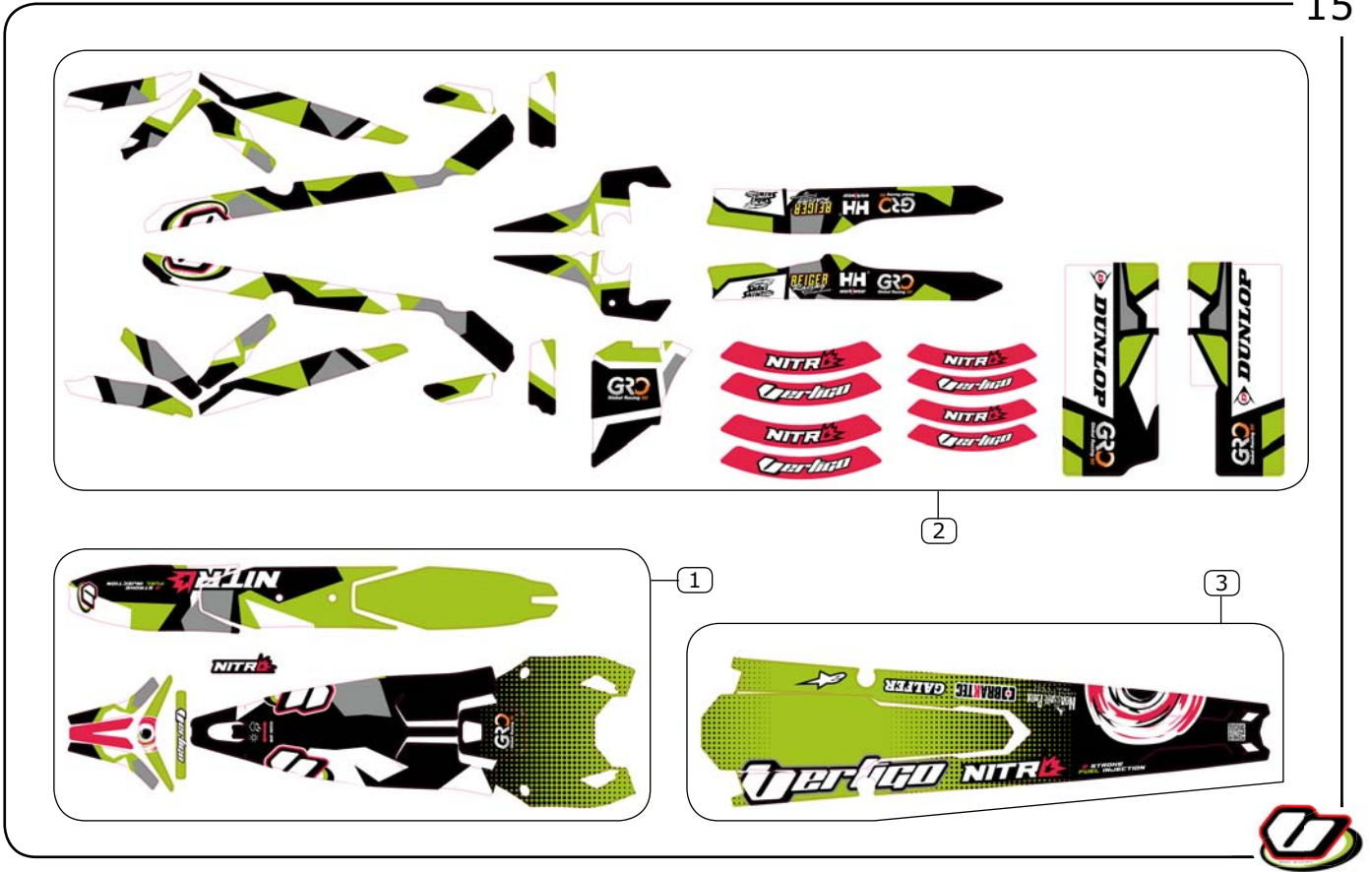
POS.	COD.	DESCRIPCIÓN	DESCRIPTION	QTY.
1	V-1920	INSTALACION ELECTRICA BATTERYLESS NITRO	NITRO MAIN WIRING LOOM	1
2	V-1717	INSTALACION ELECTRICA DELANTERA	FRONT WIRING LOOM	1
3	V-1320	ECU VERTICAL	ECU VERTICAL	1
4	V-0591	REGULADOR	REGULATOR	1
5	V-0300	BOBINA ENCENDIDO	IGNITION COIL	1
6	V-0794	SOPORTE REGULADOR	REGULATOR SUPPORT	1
7	V-0863	TUERCA DIN 985 M6	M6 NUT DIN 985	2
8	V-0660	SOPORTE BOBINA	IGNITION COIL SUPPORT	1
9	V-0440	TORNILLO M5X6 ISO 7380 8.8	SCREW M5X6 ISO 7380 8.8	2
10	V-0462	TORNILLO M6X16 DIN912 8.8	SCREW M6X16 DIN912 8.8	2
11	V-0836	TUERCA DIN 985 M6	M6 NUT DIN 985	2
12	V-0427	PIPA BUJÍA	SPARK PLUG PIPE	1
13	V-1555	SENSOR TEMP. Y PRESIÓN AIRE ADM. 2019	PRESSURE AND TEMP. INTAKE SENSOR 2019	1
14	V-0394	CTO. ROTOR/STATOR	ROTOR/STATOR SET	1
15	V-1054	TORNILLO M6X40 DIN912 10.9 NQ	SCREW M6X40 DIN 912 10.9 SILVER ZINC	1
16	V-0434	TORNILLO M5X10 DIN 7984 8.8	SCREW M5X10 DIN 7984 8.8	2
17	V-1443	DISPOSITIVO HOMBRE AL AGUA	MAGNETIC KILL SWITCH	1
18	V-0637	CHAPA SOP.CABLES ALTERNADOR	STATOR CABLE SUPPORT	1
19	V-1324	TORNILLO M5X6 BN 6404 ISO 7380-1	SCREW M5X6 BN 6404 ISO 7380-1	2
20	V-1868	CAJA COMPONENTES ELECTRONICOS	ELECTRONIC COMPONENTS BOX	1
21	V-1942	INSTALACION LED TRASERO NITRO	NITRO REAR LED HARNESS	1
22	V-1861	FUNDA GOMA ECU RX	ECU RX RUBBER SLEEVE	1
23	V-1767	RELÉ INSTALACION ELECTRICA	WIRING LOOM RELAY	2
24	V-0561	TORNILLO M6X25 DIN912 8.8 ZINC PLATA	SCREW M6X25 DIN 912 8.8	3
25	V-1945	INSTALACION CONDENSADOR NITRO	NITRO INSTALL CAPACITOR	3
26	V-0732	TORNILLO M10X30MM	SCREW M10X30MM	1
27	V-0492	ARANDELA ALTERANDOR	FLYWHEEL WASHER	1
28	V-1946	INSTALACION PICK UP NITRO	NITRO INSTALL PICK UP	1
29	V-1747	INSTALACIÓN DOBLE MAPA	MAPPING SWITCH WIRING LOOM	1
30	V-1762	JUNTA TORICA NBR 8X1.8	O-RING NBR 8X1.8	1



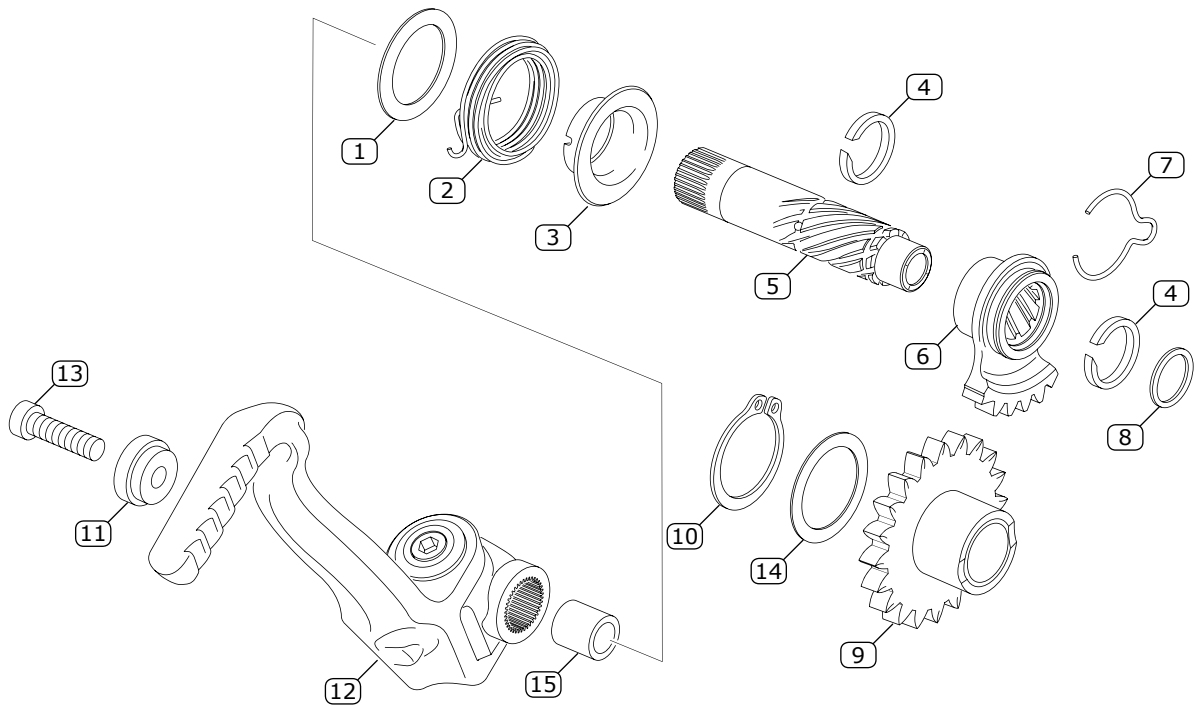
POS.	COD.	DESCRIPCIÓN	DESCRIPTION	QTY.
1	V-0373	TUERCA RADIO	SPOKE NUT	32
2	V-0371	LLANTA DEL. 1.60 X 21	FRONT RIM 1.60 X 21	1
3	V-0385	VÁLVULA TUBELESS	TUBELESS VALVE	1
4	V-0372	RADIO DEL. M3.5 X 0.6 L255 MM	FRONT WHEEL SPOKE M3.5 X 0.6 L255 MM	32
5	V-1678	BUJE DELANTERO VERTIGO ROJO	VERTIGO RED ANODIZED FRONT WHEEL HUB	1
6	V-0334	EJE RUEDA DELANTERO	FRONT WHEEL SHAFT	1
7	V-0510	RODAMIENTO BUJE 6004 2RS	BEARING HUB 6004 2 RS	2
8	V-0375	AGARRE CUBIERTA DELANTERA	FRONT WHEEL GRIP	1
9	V-0437	TORNILLO ESPECIAL M6X20 ESP. DISCO FRENO	SPECIAL SCREW M6X20 BRAKE DISC SPACER	4
10	V-0325	CASQUILLO DISCO FRENO FLOTANTE	FLOATING BRAKE DISC SLEEVE	4
11	V-0348	DISCO FRENO DELANTERO	FRONT BRAKE DISC	1
12	V-1003	CASQUILLO INTERIOR BUJE DEL.	FRONT HUB INNER SLEEVE	1
13	V-0278	CAMARA DELANTERA 21MD VALVE TR4	FRONT INNER TUBE 21MD VALVE TR4	1
14	V-0747	PROTECTOR CAMARA AIRE DEL.	FRONT INNERTUBE PROTECTOR	1
15	V-1686	CTO. RUEDA DELANTERA	FRONT WHEEL SET	1
16	V-0762	TAPON VALVULA VERDE	GREEN VALVE CAP	1



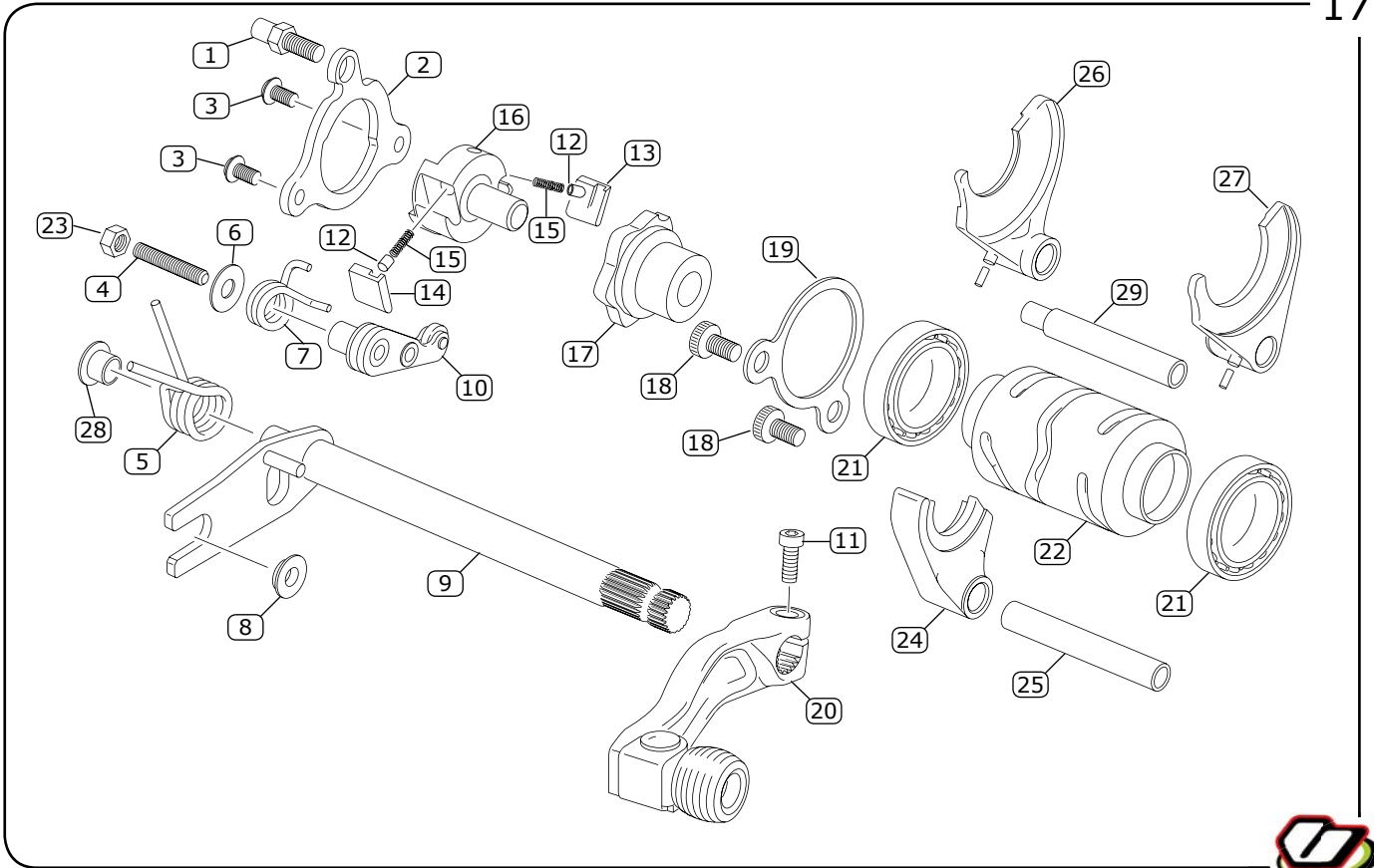
POS.	COD.	DESCRIPCIÓN	DESCRIPTION	QTY.
1	V-0332	EXCENTRICA RUEDA TRAS IZQUIERDA	LEFT REAR WHEEL ECCENTRIC WASHER	1
2	V-0626	LLANTA TRASERA 2.15 X 18 TUBELESS MECANIZADA	REAR RIM 2.15 X 18 TUBELESS MECHANIZED	1
3	V-1275	DISCO FRENO TRASERO FIM	REAR FIM BRAKE DISC	1
4	V-0682	TORNILLO ESPECIAL M6X20 DISCO FRENO	SPECIAL SCREW M6X20 BRAKE DISC	4
5	V-0331	EXCENTRICA RUEDA TRAS DERECHA	RIGHT REAR WHEEL ECCENTRIC WASHER	1
6	V-0552	TUERCA RUEDA TRASERA	REAR WHEEL NUT	1
7	V-0549	CASQUILLO RUEDA TRASERA	REAR WHEEL SLEEVE	2
8	V-0510	RODAMIENTO BUJE 6004 2RS	BEARING HUB 6004 2 RS	2
9	V-0381	RADIO RUEDA TRASERA M4 X 0.7 L165 MM	REAR WHEEL SPOKE M4 X 0.7 L165 MM	16
10	V-0383	TUERCA TENSOR RADIO M4	REAR WHEEL SPOKE NUT M4	32
11	V-0382	RADIO RUEDA TRAS. M4 X 0.7 LG 34.5 MM	REAR WHEEL SPOKE M4 X 0.7 LG 34.5MM	16
12	V-0380	RADIO RUEDA TRAS. CORONA M4 X 0.7 L36 MM	REAR WHEEL SPOKE CROWN SIDE M4X0.7 L36 MM	16
13	V-0379	RADIO RUEDA TRAS. CORONA M4 X 0.7 L175 MM	REAR WHEEL SPOKE CROWN SIDE M4X0.7 L175 MM	16
14	V-1031	CADENA REGINA - 102	CHAIN REGINA - 102	1
15	V-0674	ENGANCHE CADENA	CHAIN LINK	1
16	V-0333	EJE RUEDA TRASERO	REAR WHEEL SHAFT	1
17	V-0681	TORNILLO ESPECIAL CORONA M8 X 25 MM	SPECIAL SCREW M8X25 10.9 REAR SPROCKET	4
18	V-1502	CORONA Z42	CHAINWHEEL Z42	1
19	V-1004	CASQUILLO INTERIOR BUJE TRASERO	REAR HUB INNER SLEEVE	1
20	V-0470	TUERCA M8 DIN 985 AUTOBLOCANTE	NUT M8 DIN 985 AUTO LOCK	4
21	V-1756	CTO RUEDA TRASERA	REAR WHEEL SET	1
22	V-1032	MEDIA MALLA	HALF CHAIN LINK	1
23	V-0762	TAPÓN VALVULA VERDE	GREEN VALVE CAP	1
24	V-0385	VÁLVULA TUBELESS	TUBELESS VALVE	1
25	V-1679	BUJE TRASERO VERTIGO ROJO	VERTIGO RED ANODIZED WHEEL HUB	1



POS.	COD.	DESCRIPCIÓN	DESCRIPTION	QTY.
1	V-1983	KIT BLISTER DECORACION	NITRO DECO STICKER KIT	1
2	V-1984	KIT BLISTER PROTECTION	NITRO PROTECTION STICKER KIT	1
3	V-1985	KIT BLISTER GUARDABARROS TRAS.	NITRO REAR MUDGUARD STICKER KIT	1

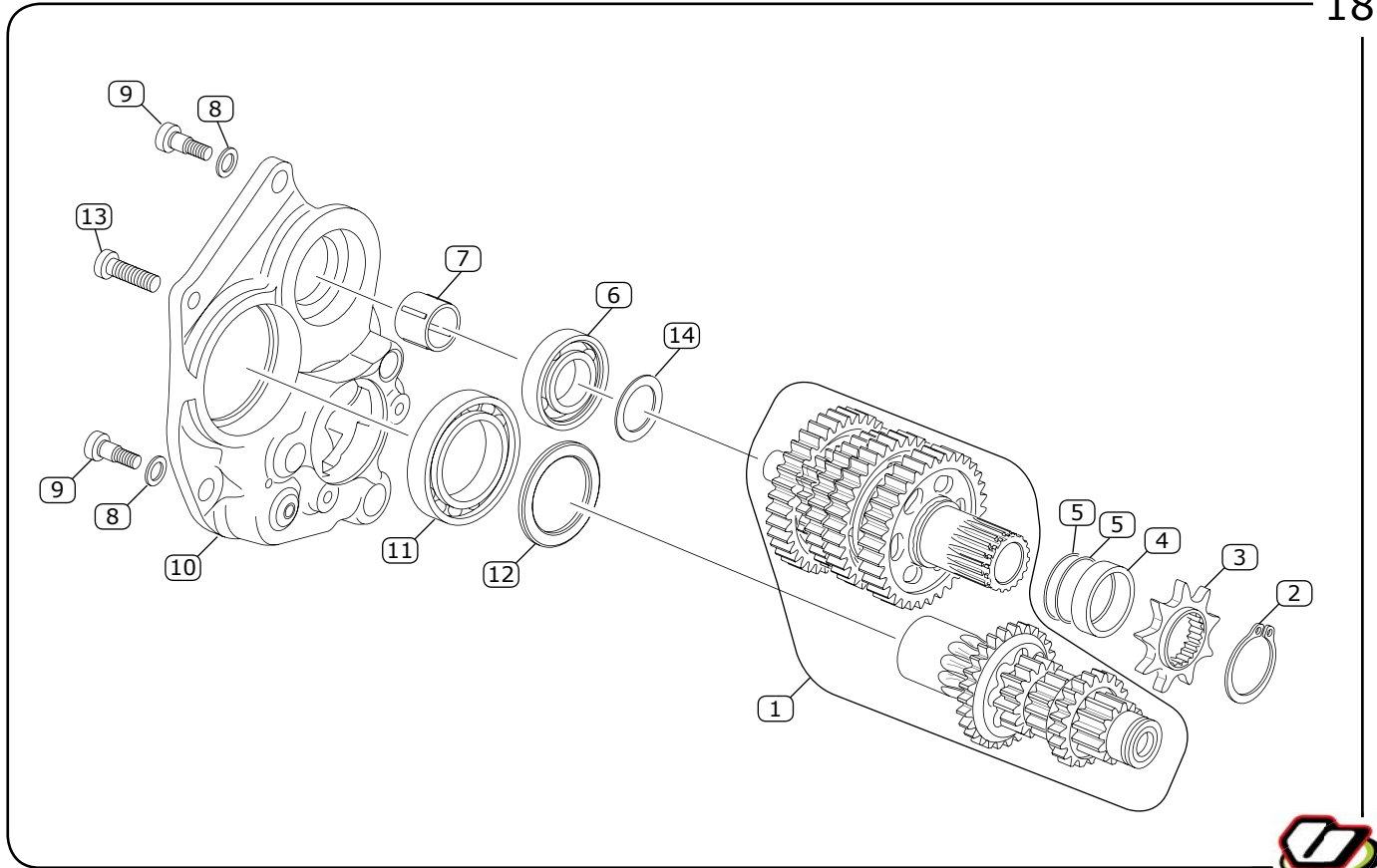


POS.	COD.	DESCRIPCIÓN	DESCRIPTION	QTY.
1	V-0752	ARANDELA 18X40X0.5	WASHER 18X40X0.5	1
2	V-0232	MUELLE ARRANQUE	KICKSTART SPRING	1
3	V-0229	CENTRADOR MUELLE ARRANQUE	KICKSTART SPRING BUSH	1
4	V-0648	SEEGER EJE ARRANQUE	KICKSTART SEEGER SHAFT	2
5	V-0231	EJE ARRANQUE	KICKSTART SHAFT	1
6	V-0251	PIÑÓN DE ARRANQUE	KICKSTART GEAR	1
7	V-0230	MUELLE DE FRICCIÓN ARRANQUE	KICKSTART FRICTION SPRING	1
8	V-0753	ARANDELA 14X25X0.5	WASHER 14X25X0.5	1
9	V-1260	PIÑÓN INT. ARRANQUE 2019	INNER KICKSTART GEAR 2019	1
10	V-1420	SEEGER EXTERNO 14X1	SEEGER 14X1	1
11	V-1309	CASQ. FIJACIÓN PALANCA ARRANQUE ROJO	RED KICKSTART SLEEVE	1
12	V-0299	PALANCA DE ARRANQUE	KICKSTART	1
13	V-1708	TORNILLO M6X30 DIN812 12.9 NT	SCREW M6X30 DIN812 12.9 NT	1
14	V-0753	ARANDELA 14X25X0.5MM	WASHER 14X25X0.5MM	1
15	V-1703	CASQUILLO SEPARADOR PALANCA ARRANQUE	KICKSTART SPACER	1

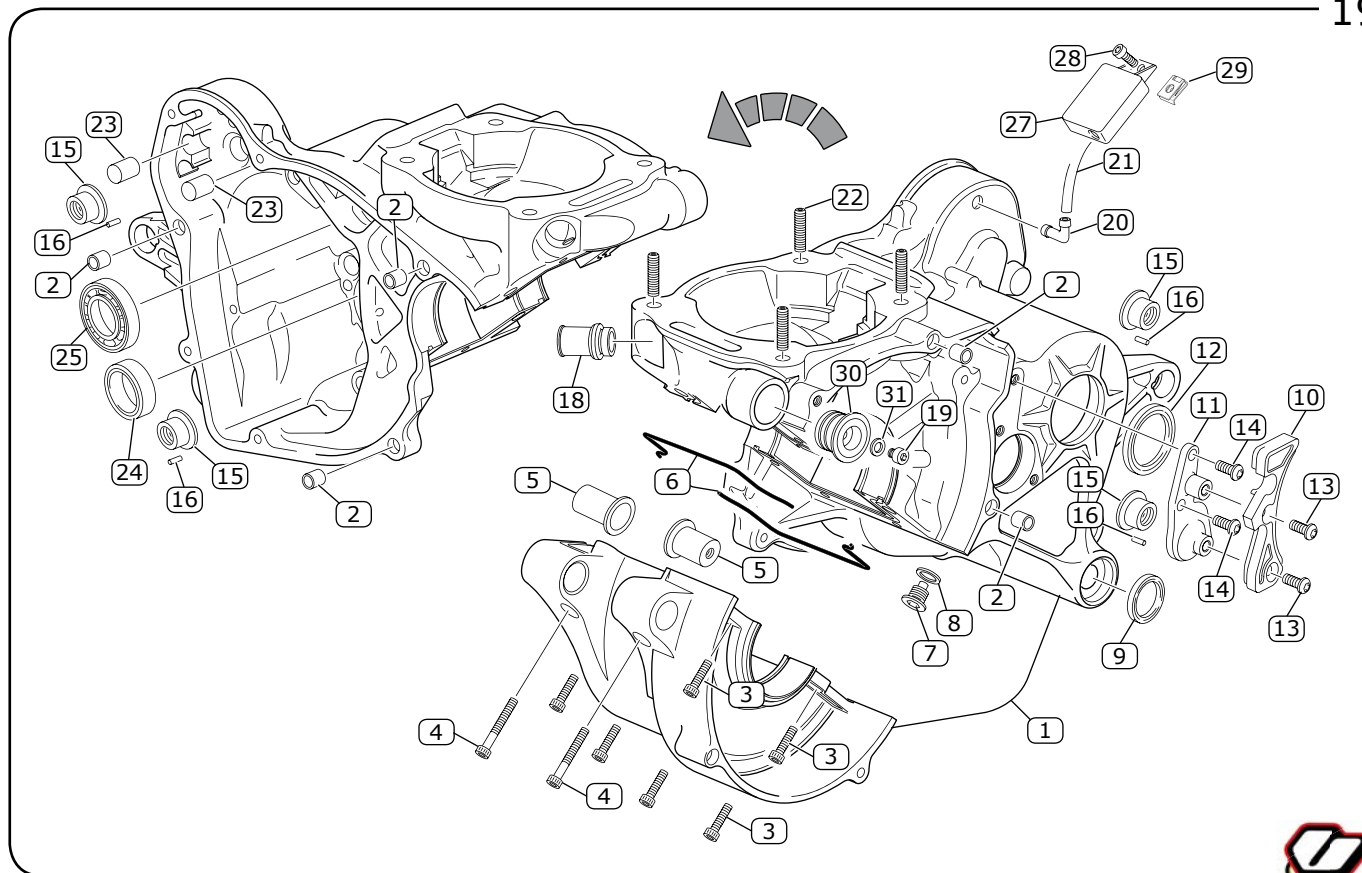


POS.	COD.	DESCRIPCIÓN	DESCRIPTION	QTY.
1	V-1869	TOPE MUELLE SELECTOR R3	SPRING SELECTOR STOP R3	1
2	V-1866	PLETINA RETORNO DESMODRÓMICO R3	RETURN SHIFT PLATE	1
3	V-0554	TORNILLO M5X10 DIN 912 8.8	SCREW M5X10 DIN 912 8.8	2
4	V-0811	ESPARRAGO DIN 913 (ISO 4026) M5X35	STUD M5X35 913 ISO 4026	1
5	V-0243	MUELLE FIJADOR MARCHAS	GEAR SELECTOR SPRING	1
6	V-0810	ARANDELA DIN 9021 M5	WASHER DIN 9021 M5	1
7	V-0228	MUELLE FIJADOR MARCHAS	GEAR SELECTOR SPRING	1
8	V-0220	CASQUILLO SELECTOR DESMODRÓMICO	DESMODROMIC SHIFT SLEEVE	1
9	V-1867	EJE SELECTOR 2021	2021 SHIFT SHAFT	1
10	V-0269	POLEA FIJADOR MARCHAS	SHIFT SELECTOR PULLEY	1
11	V-0645	TORNILLO M6X16 DIN7984 8.8	SCREW M6X16 DIN7984 8.8	1
12	V-0247	TETÓN LEVA CAMBIO	CAM SHIFT PIPE	2
13	V-0245	LEVA CAMBIO IZQUIERDA	LEFT SHIFT CAM LEVER	1
14	V-0246	LEVA CAMBIO DERECHA	RIGHT SHIFT CAM LEVER	1
15	V-0248	MUELLE TETÓN LEVA CAMBIO	CAM SHIFT PIPE SPRING	2
16	V-0221	SELECTOR DESMODRÓMICO	DRUM SHIFT CAM SHORT LEVELS	1
17	V-0226	ESTRELLA SELECTOR CAMBIO	SHIFT DRUM SELECTOR	1
18	V-0556	TORNILLO M5X10 ISO7380 10.9	SCREW M5X10 ISO7380 10.9	2
19	V-0227	PLETINA SUJECIÓN ROD. CAMBIO	BEARING SUPPORT PLATE	1
20	V-1619	PALANCA CAMBIO RACING	RACING SHIFTER LEVER	1
21	V-0285	RODAMIENTO 61804 DESMODRÓNICO	BEARING 61804 SHIFT DRUM	2
22	V-0225	TAMBOR DESMODRÓNICO	DESMODROMIC SHIFT DRUM	1
23	V-0812	TUERCA M5 DIN985 AUTOBLOCANTE	M5 NUT AUTOLOCK	1
24	V-0240	HORQUILLA EJE PRIMARIO	PRIMARY SHAFT GEAR FORK	1
25	V-0244	EJE HORQUILLA 89.9MM	GEAR FORK SHAFT 89.9MM	1
26	V-0242	HORQUILLA 6ª SECUNDARIO	SECONDARY SHAFT 6TH GEAR FORK	1
27	V-0241	HORQUILLA 5ª SECUNDARIO	SECONDARY SHAFT 5TH GEAR FORK	1
28	V-0678	CASQUILLO CENTRADOR MUELLE SELECTOR	SELECTOR SHAFT CENTERING SLEEVE	1
29	V-0676	EJE HORQUILLA 2 DIÁMETROS	DOUBLE DIAMETER FORK SHAFT	1

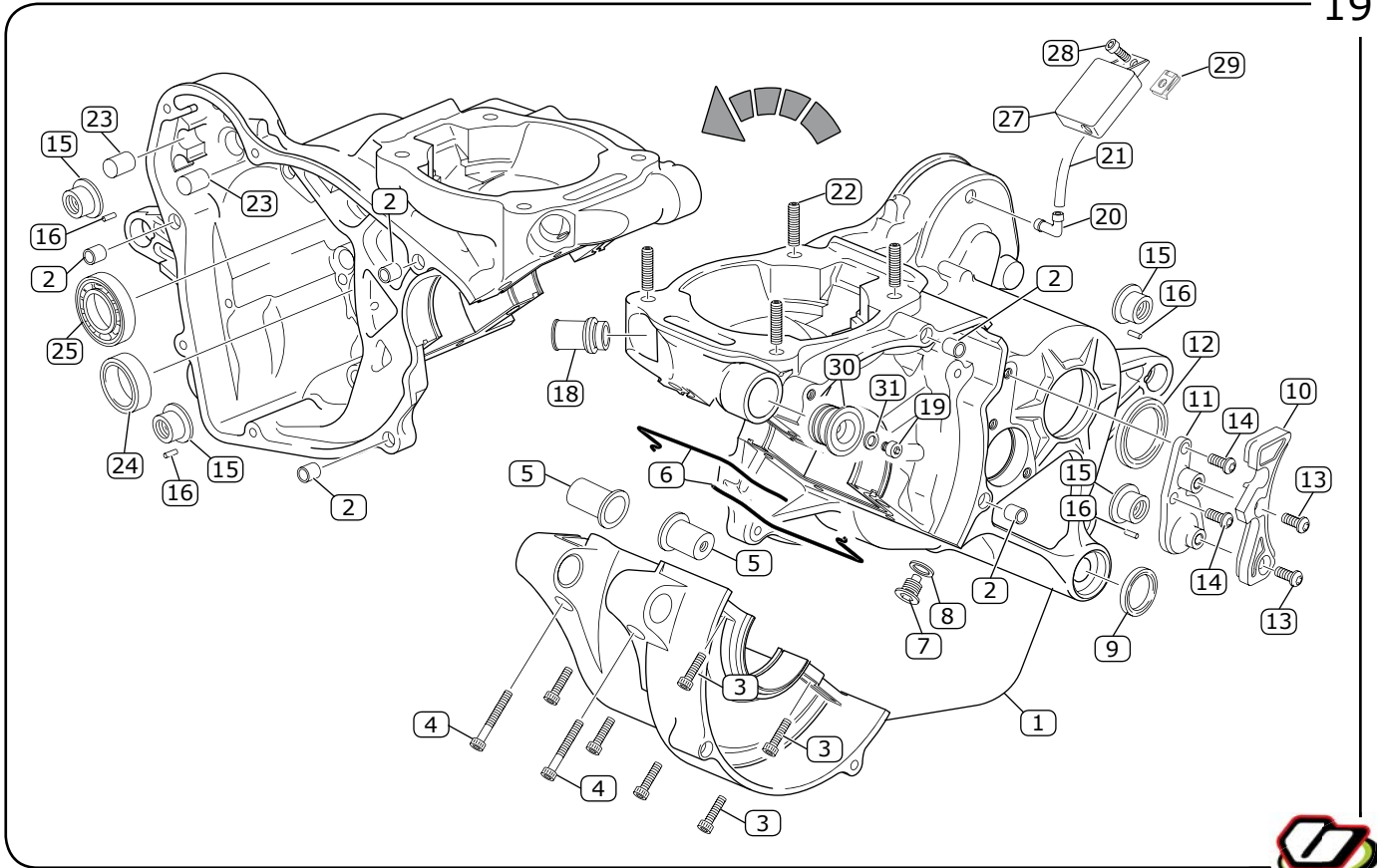




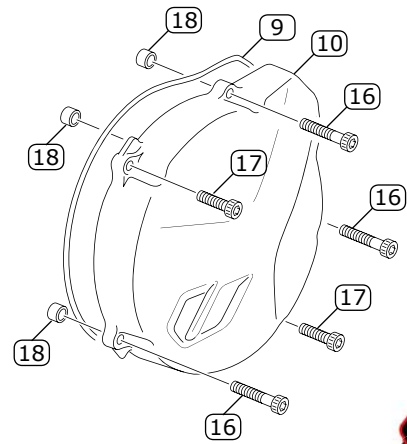
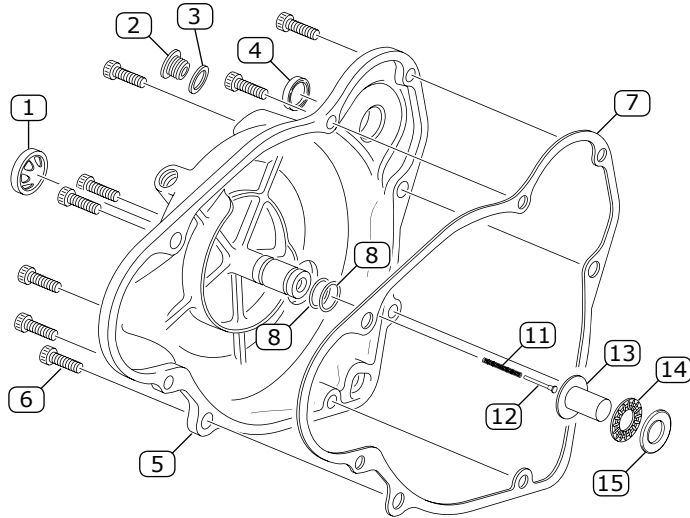
POS.	COD.	DESCRIPCIÓN	DESCRIPTION	QTY.
1	V-1426	CAMBIO COMPLETO 2019	GEARBOX ASSY 2019	1
2	V-0584	SEGER D.25X1.2 DIN471	SEGER PINION EXIT	1
3	V-0313	PIÑÓN SALIDA Z10	SPROCKET Z10	1
4	V-0309	CASQUILLO PIÑÓN SALIDA	SHIFT SEAL BUSHING	1
5	V-0634	JUNTA TÓRICA 25X1.5	O-RING 25X1.5	2
6	V-1424	RODAMIENTO INA 16003	INA BEARING 16003	2
7	V-1425	RODAMIENTO K14X18X15	BEARING K14X18X15	1
8	V-1042	ARANDELA DIN 433 M8	WASHER DIN 433 M8	2
9	V-1041	TORNILLO AJUSTABLE M6X10 ISO7379 12.9 Ø8 F9	ADJUSTABLE SCREW M6X10 ISO 7379-12.9 Ø8 F9	2
10	V-1301	TAPA SUJECION CAMBIO 2019	GEARBOX PLATE 2019	1
11	V-1423	RODAMIENTO 61906	BEARING 61906	1
12	V-1422	SEPARADOR DE CORONA 2019	CROWN SPACER 2019	2
13	V-0559	TORNILLO M6X20 DIN 7984 8.8	SCREW M6X20 DIN 7984 8.8	2
14	V-1419	ARANDELA 17X23X0.5	WASHER 17X23X0.5	1



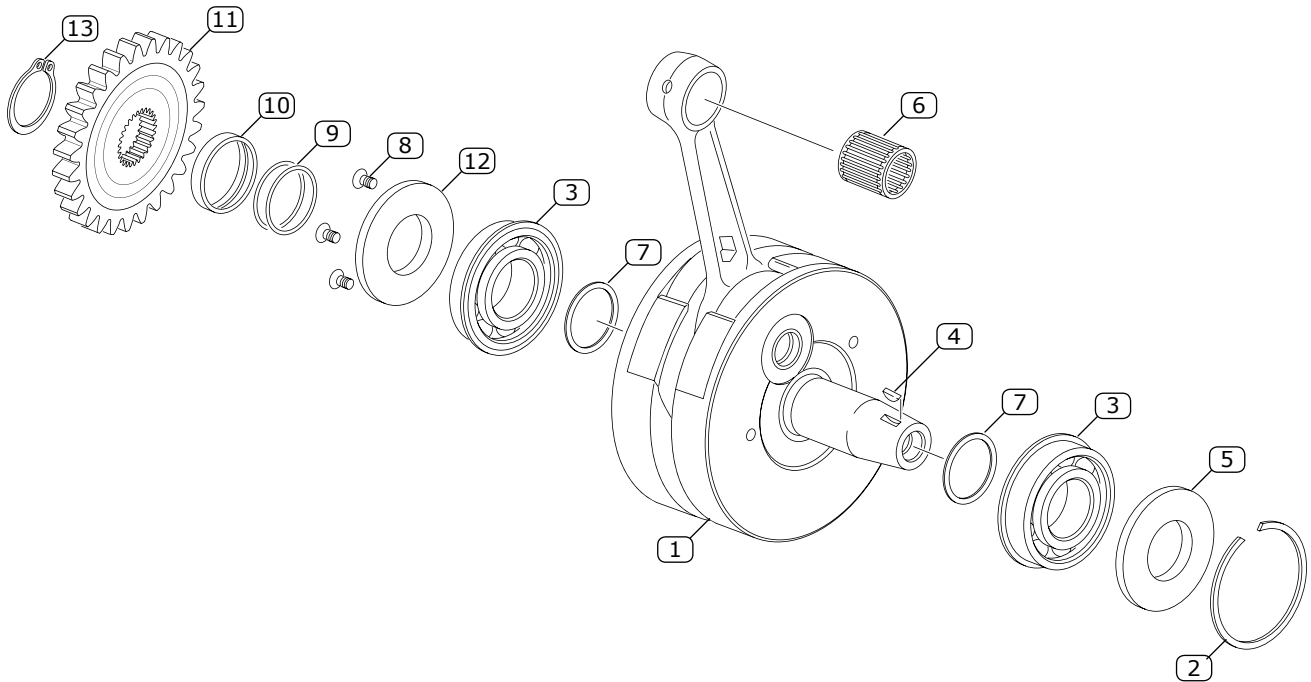
POS.	COD.	DESCRIPCIÓN	DESCRIPTION	QTY.
1	V-1448	CARTER PREMONTADO	PREASSEMBLED CRANKCASE	1
2	V-0639	CASQUILLO CENTRADOR CARTER	CRANKCASE CENTRING SLEEVE	9
3	V-0447	TORNILLO M6X20 DIN 7984 8.8	SCREW M6X20 DIN 7984 8.8	6
4	V-0453	TORNILLO M6X45 DIN 912 10.9	SCREW M6X45 DIN 912 10.9	2
5	V-0547	CASQUILLO CARTER/SUBCHASIS DEL	CARTER/FRONT SUBFRAME SLEEVE	2
6	V-1322	HILO TÓRICO 2.0X135MM	O-RING 2.0X135	1
7	V-0312	TAPÓN VACIADO ACEITE	DRAIN PLUG OIL	1
8	V-0472	ARANDELA COBRE TAPÓN ACEITE 12/16/1.5	COOPER WASHER OIL	1
9	V-0340	RETEN 12X22X7 EJE SELECTOR/CARTER	LIP SEAL 12X22X7 GEAR PEDAL/CRANKCASE	1
10	V-0579	PROTECTOR PIÑON CADENA	CRANKCASE CHAIN PROTECTOR	1
11	V-0529	TAPA EJE PRIMARIO	PRIMARY SHAFT COVER	1
12	V-0342	RETEN 30X36X5 EJE SECUNDARIO/CARTER	LIP SEAL 30X36X5 SECONDARY SHAFT/CRANKCASE	1
13	V-0651	TORNILLO M5X10 DIN 6912 8.8	SCREW M5X10 DIN 6912 8.8	2
14	V-1321	TORNILLO 5X10 TORX BN 6404 ISO 7380-1	SCREW 5X10 TORX BN 6404 ISO 7380-1	3
15	V-0640	CASQUILLO ROSCADO CARTER	CRANKCASE THREADED SLEEVE	4
16	V-1068	CLAVIA 3X10MM DIN7	PIN 3X10MM DIN7	4
17	V-0506	SOPORTE RACOR BOMBA/CARTER	SUPPORT FITTING PUMP/CRANKCASE	1
18	V-0505	RACOR BOMBA/CARTER	FITTING PUMP/CRANKCASE	1
19	V-0643	TORNILLO M5X6 DIN 912 8.8	SCREW M5X6 DIN 912 8.8	1
20	V-1406	DESVAPORIZADOR CAMBIO	BREATHER	1
21	V-1617	TUBO DESVAPORIZADOR RACING	RACING GEARBOX BREATHE TUBE	1
22	V-0464	TORNILLO M8X30 DIN 835 8.8	SCREW M8X30 DIN 835 8.8	4
23	V-0310	TOPE PALANCA ARRANQUE	STOP KICKSTART PEDAL	2
24	V-0283	RODAMIENTO BOLAS CONTACTO ANGULAR	TWO ROWS BALL BEARING	1
25	V-0287	RODAMIENTO BOLAS SECUNDARIO/PIÑÓN	BALL BEARING 6005 SECONDARY SHAFT	1
26	V-0336	SEEGER D.32 1.2 FINAL CARTER/PRIMARIO	CRANKCASE PRIMARY SHAFT SEEGER D.32 DIN 472	1
27	V-1798	CAJA DESVAPORIZADOR	BREATHER BOX	1
28	V-0557	TORNILLO M5X12MM	SCREW M5X12MM	1
29	V-0653	TUERCA RAPIDA TRT-M5-1	FAST NUT TRT-M5-1	1
30	V-1976	TAPON RACOR/CARTER NEGRO	BLACK CRANKCASE FITTING CAP	1



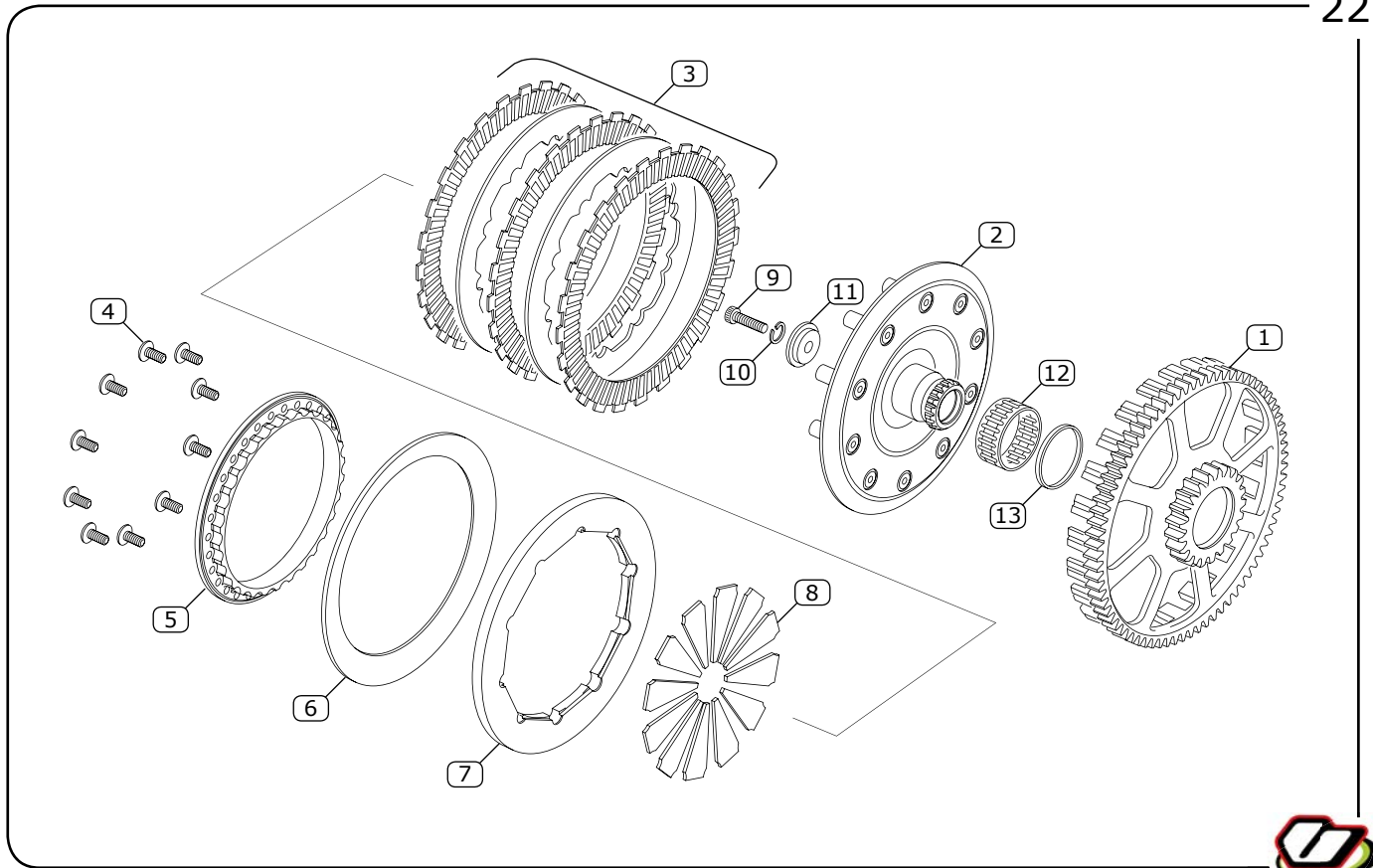
POS.	COD.	DESCRIPCIÓN	DESCRIPTION	QTY.
31	V-0800	ARANDELA COBRE 5X9X1	COPPER WASHER 5X9X1	1



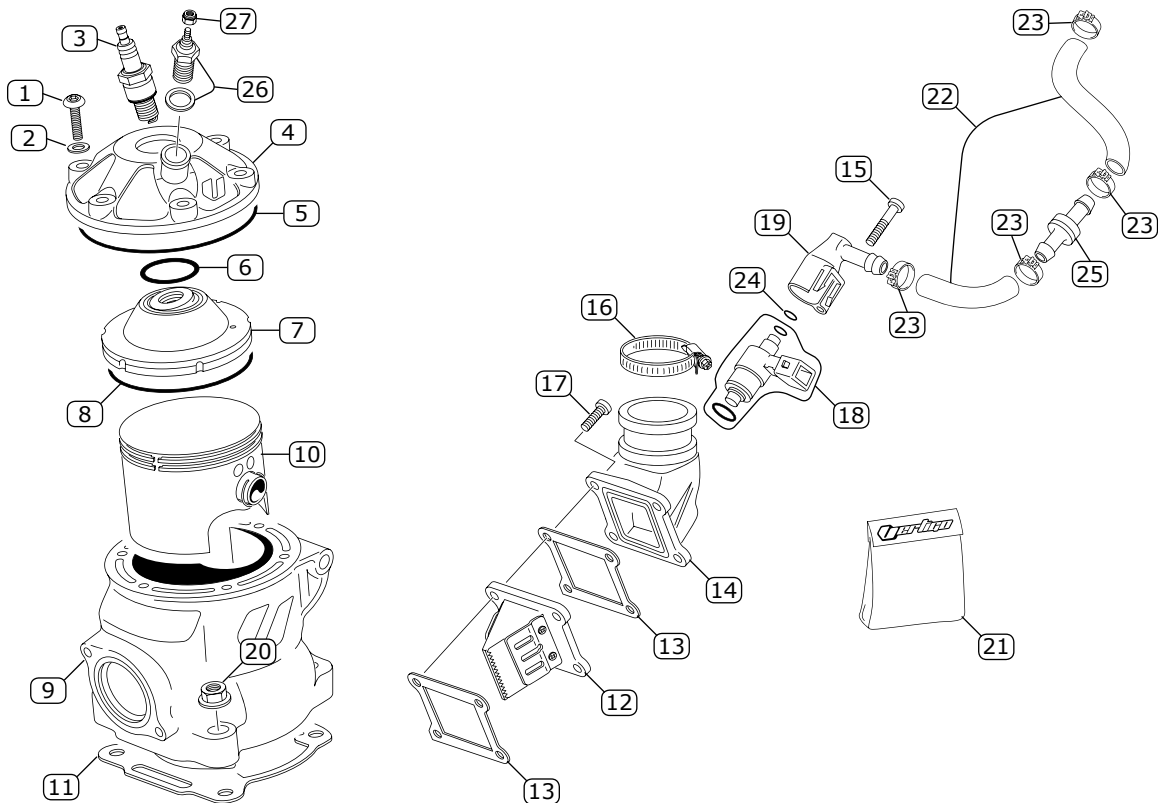
POS.	COD.	DESCRIPCIÓN	DESCRIPTION	QTY.
1	V-0314	MIRILLA VISOR ACEITE	WINDOW DISPLAY OIL	1
2	V-1274	TAPÓN LLENADO ACEITE ROJO	OIL FILLER CAP RED	1
3	V-0472	ARANDELA COBRE TAPÓN ACEITE	COOPER WASHER OIL	1
4	V-0339	RETÉN 18X24X4	LIP SEAL 18X24X4	1
5	V-1427	TAPA EMBRAGUE	CLUTCH COVER	1
6	V-0448	TORNILLO M5X20 DIN 912 8.8	SCREW M5X20 DIN 912 8.8	9
7	V-0262	JUNTA TAPA EMBRAGUE	CLUTCH COVER GASKET	2
8	V-0662	TORICA BOMBIN EMBRAGUE 11.5X1.5	CLUTCH PUMP O-RING 11.5X1.5	2
9	V-0527	JUNTA TAPA ALTERNADOR	FLYWHEEL COVER GASKET	1
10	V-1347	TAPA ALTERNADOR	FLYWHEEL COVER	1
11	V-0308	MUELLE PISTON EMBRAGUE	CLUTCH PISTON SPRING	1
12	V-0307	GUIA MUELLE PISTÓN EMBRAGUE	CLUTCH PISTON SPRING GUIDE	1
13	V-0305	PISTON BOMBIN EMBRAGUE	CLUTCH PUMP PISTON	1
14	V-0286	ROD. AXIAL AGUJAS AXK1730 EMP. EMBRAGUE	AXIAL NEEDLE BEARING CLUTCH PISTON BEARING	1
15	V-0306	EMPUJADOR EMBRAGUE	CLUTCH PISTON BEARING PLATE	1
16	V-0452	TORNILLO M5X25MM	SCREW M5X25MM	3
17	V-0448	TORNILLO M5X20 DIN912 8.8 NQ	SCREW M5X20 DIN 912 8.8	2
18	V-0639	CASQUILLO CENTRADOR	CENTERING SLEEVE	3



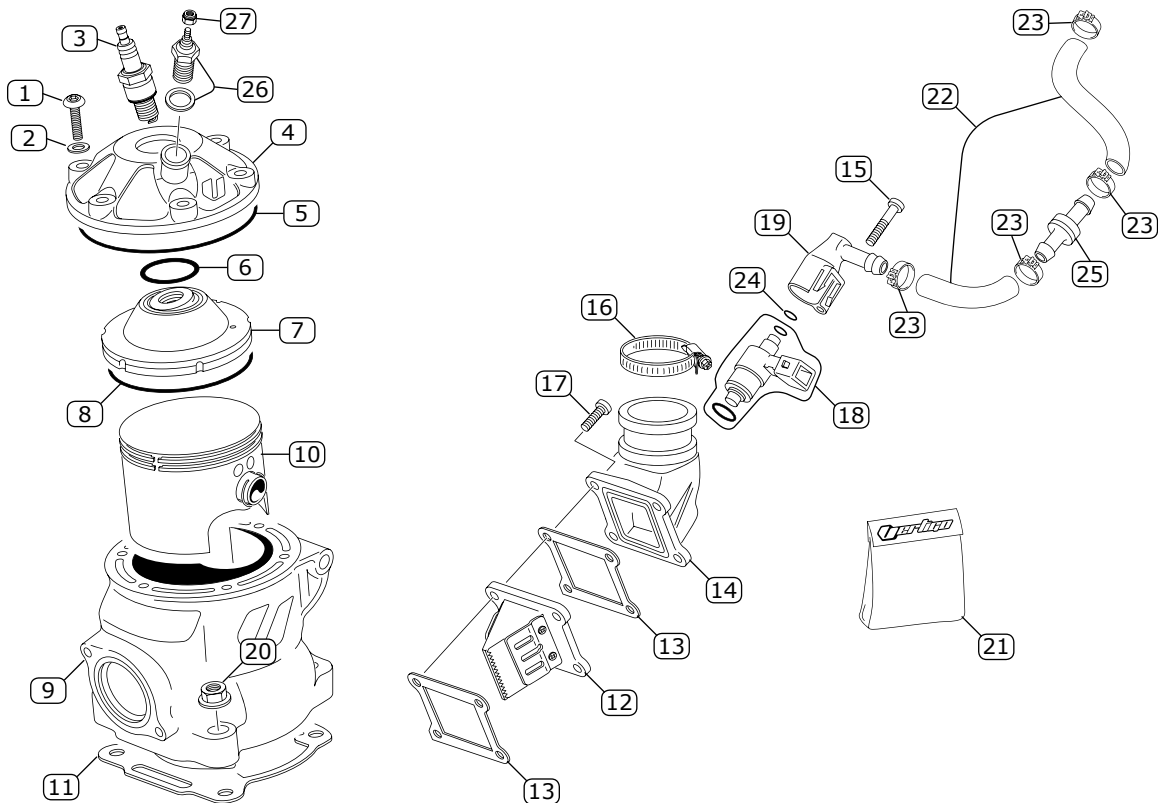
POS.	COD.	DESCRIPCIÓN	DESCRIPTION	QTY.
1	V-1262	CIGÜEÑAL 116MM 2019	CRANKSHAFT 116MM 2019	1
2	V-1349	SEEGER D.52 DIN5417	SEEGER D.52 DIN5417	1
3	V-1351	COJINETE CIGÜEÑAL 6205 NR 2RS	CRANKSHAFT BEARING 6205 NR 2RS	2
4	V-0636	CHAVETA CIGÜEÑAL DIN 6888	CRANKSHAFT COTTER DIN 6888	1
5	V-1886	RETEN CIGÜEÑAL 25X52X5 TPM	CRANKSHAFT LIP SEAL 25X52X5 TPM	1
6	V-0315	RODAMIENTO AGUJAS 18X22X22 BIELA	NEEDLE ROLLER BEARING 18X22X22 CONROD	1
7	V-0859	ARANDELA 30X25.2X0.2	WASHER 30X25.2X0.2	2
8	V-1352	TORNILLO M4X8 DIN 7991 ZN PLATA	SCREW M4X8 DIN 7991 ZN SILVER	3
9	V-0634	TORICA RODAMIENTO CIGÜEÑAL 25X1 VITON	O-RING 25X1 VITON	2
10	V-1535	CASQUILLO CIGÜEÑAL	CRANKSHAFT SLEEVE	1
11	V-1261	PIÑON TRANSMISION PRIMARIA	PRIMARY TRANSMISSION GEAR	1
12	V-1887	RETÉN CASQUILLO CIGÜEÑAL 30X52X5 VITON	CRANKSHAFT SLEEVE VITON LIP SEAL	1
13	V-0584	SEEGER D.25X1.2 DIN471	SEEGER PINION EXIT	1



POS.	COD.	DESCRIPCIÓN	DESCRIPTION	QTY.
1	V-1209	CAMPANA EMBRAGUE	2019 CLUTCH CROWN	1
2	V-1885	CUBO EMBRAGUE COMPLETO R3	R3 CLUTCH HUB SET	1
3	V-1888	KIT DISCOS EMBRAGUE R3	R3 CLUTCH DISC SET	1
4	V-0432	TORNILLO M4X10 INOX A2 TORX	SCREW M4X10 INOX A2 TORX	10
5	V-1889	SOPORTE MUELLE EMBRAGUE R3	R3 CLUTCH SPRING SUPPORT	1
6	V-1890	MUELLE EMBRAGUE 1,5MM R3	R3 CLUTCH SPRING 1.5MM	1
7	V-1214	PRENSA EMBRAGUE 2019	2019 CLUTCH PRESSURE PLATE	1
8	V-1217	PALANQUETA EMBRAGUE 2019	2019 CLUTCH RELEASE ARM	10
9	V-0774	TORNILLO M5X20 DIN912	SCREW M5X20 DIN912	1
10	V-1170	ARANDELA AET M5	WASHER AET M5	1
11	V-0326	CASQUILLO NUCLEO EMBRAGUE	CLUTCH HUB SLEEVE	1
12	V-0260	RODAMIENTO AGUJAS K28X31X13	NEEDLE BEARING K28X31X13	1
13	V-1651	CASQUILLO GUIA CAMPANA EMBRAGUE	CLUTCH CROWN SLEEVE	1

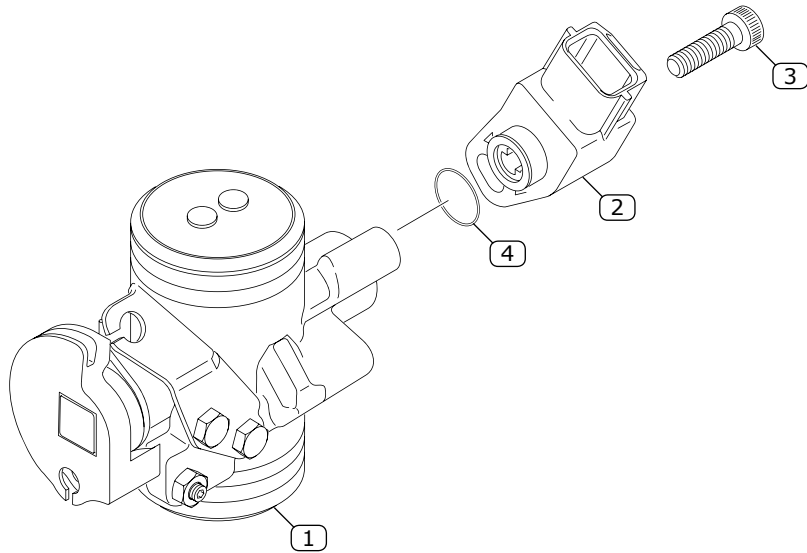


POS.	COD.	DESCRIPCIÓN	DESCRIPTION	QTY.
1	V-0451	TOR. ESPECIAL M6X25 10.9 DELTA PROTEK KL100	SCREW M6X25 10.9 DELTA PROTEK KL100	6
2	V-0737	ARANDELA COBRE 6X10X1.5	COPPER WASHER 6X10X1.5	6
3	V-0290	BUJÍA BPMR6A	SPARK PLUG BPMR6A	1
4	V-1273	TAPA CULATA ROJA	CYLINDER HEAD COVER RED	1
5	V-0569	JUNTA TÓRICA EXT. CULATA 104,40 X 1.78 VITON	CYLINDER HEAD EXT. O-RING 104,40 X 1.78 VITON	1
6	V-0292	JUNTA TÓRICA CULATÍN	CYLINDER HEAD COVER O-RING	1
7	V-0616	CULATÍN 250CC	CYLINDER HEAD 250CC	1
8	V-0570	TÓRICA INT. CULATA 83 X 87 X 2	RING EXT. HEAD 83X87X2	1
9	V-0614	CILINDRO 250CC	CYLINDER 250CC	1
10	V-1306	PISTON 250 "A"	PISTON 250 "A"	1
10	V-1190	PISTON 250 "B"	PISTON 250 "B"	1
10	V-1191	PISTON 250 "C"	PISTON 250 "C"	1
11	V-1610	JUNTA CILINDRO	CYLINDER GASKET	1
12	V-0272	CAJA LÁMINAS	REED VALVE	1
13	V-0548	JUNTA CAJA LÁMINAS 0.8MM	REED VALVE GASKET 0.8MM	2
14	V-0200	TOBERA ADMISIÓN	AIR INTAKE MANIFOLD	1
15	V-0436	TORNILLO M5X30 DIN 7984 8.8	SCREW M5X30 DIN 7984 8.8	1
16	V-0604	ABRAZADERA TORRO 25-40/9 W2	TORRO CLAMP 25-40/9 W2	1
17	V-0865	TORNILLO M5X25 DIN7984 8.8	SCREW M5X25 DIN7984 8.8	4
18	V-0298	INYECTOR	FUEL INJECTOR	1
19	V-0421	CONECTOR INYECTOR	INJECTOR SUPPORT	1
20	V-0471	TUERCA M8 DIN 6923	NUT M8 DIN 6923	4
21	V-0755	KIT LAMINAS ADMISIÓN	REED VALVE KIT	1
22	V-0754	TUBO GASOLINA	PETROL HOSE	1
23	V-0838	ABRAZADERA COBRA 13/8	COBRA CLAMP 13/8	4
24	V-0802	TORICA SUP. INYECTOR 6.35X1.78	INJECTOR UPPER O-RING 6.35X1.78	1
25	V-1199	VALVULA ANTIRETORNO	ONE WAY VALVE	1
26	V-1483	SENSOR TEMPERATURA AIGUA 2019	WATER TEMPERATURE SENSOR 2019	1
27	V-0812	TUERCA M5 AUTOBLOCANTE	M5 NUT	1



POS.	COD.	DESCRIPCIÓN	DESCRIPTION	QTY.
1	V-0451	TOR. ESPECIAL M6X25 10.9 DELTA PROTEK KL100	SCREW M6X25 10.9 DELTA PROTEK KL100	6
2	V-0737	ARANDELA COBRE 6X10X1.5	COPPER WASHER 6X10X1.5	6
3	V-0290	BUJÍA BPMR6A	SPARK PLUG BPMR6A	1
4	V-1273	TAPA CULATA ROJA	CYLINDER HEAD COVER RED	1
5	V-0569	JUNTA TÓRICA EXT. CULATA 104,40 X 1.78 VITON	CYLINDER HEAD EXT. O-RING 104,40 X 1.78 VITON	1
6	V-0292	JUNTA TÓRICA CULATÍN	CYLINDER HEAD COVER O-RING	1
7	V-0619	CULATÍN 280CC	CYLINDER HEAD 280CC	1
8	V-0570	TÓRICA INT. CULATA 83 X 87 X 2	RING EXT. HEAD 83X87X2	1
9	V-0617	CILINDRO 280CC	CYLINDER 280CC	1
10	V-1738	PISTON 280 "A"	PISTON 280 "A"	1
10	V-1739	PISTON 280 "B"	PISTON 280 "B"	1
10	V-1740	PISTON 280 "C"	PISTON 280 "C"	1
11	V-1610	JUNTA CILINDRO	CYLINDER GASKET	1
12	V-0272	CAJA LÁMINAS	REED VALVE	1
13	V-0548	JUNTA CAJA LÁMINAS 0.8MM	REED VALVE GASKET 0.8MM	2
14	V-0200	TOBERA ADMISIÓN	AIR INTAKE MANIFOLD	1
15	V-0436	TORNILLO M5X30 DIN 7984 8.8	SCREW M5X30 DIN 7984 8.8	1
16	V-0604	ABRAZADERA TORRO 25-40/9 W2	TORRO CLAMP 25-40/9 W2	1
17	V-0865	TORNILLO M5X25 DIN7984 8.8	SCREW M5X25 DIN7984 8.8	4
18	V-0298	INYECTOR	FUEL INJECTOR	1
19	V-0421	CONECTOR INYECTOR	INJECTOR SUPPORT	1
20	V-0471	TUERCA M8 DIN 6923	NUT M8 DIN 6923	4
21	V-0755	KIT LAMINAS ADMISIÓN	REED VALVE KIT	1
22	V-0754	TUBO GASOLINA	PETROL HOSE	1
23	V-0838	ABRAZADERA COBRA 13/8	COBRA CLAMP 13/8	4
24	V-0802	TORICA SUP. INYECTOR 6.35X1.78	INJECTOR UPPER O-RING 6.35X1.78	1
25	V-1199	VALVULA ANTIRETORNO	ONE WAY VALVE	1
26	V-1483	SENSOR TEMPERATURA AIGUA 2019	WATER TEMPERATURE SENSOR 2019	1
27	V-0812	TUERCA M5 AUTOBLOCANTE	M5 NUT	1





POS.	COD.	DESCRIPCIÓN	DESCRIPTION	QTY.
1	V-1612	CTO. CUERPO INYECCIÓN RACING	RACING THROTTLE BODY SET	1
2	V-0422	SENSOR POSICIÓN CUERPO GAS	THROTTLE POSITION SENSOR	1
3	V-0435	TORNILLO M5X16 DIN 7984 8.8	SCREW M5X16 DIN 7984 8.8	1
4	V-1504	TORICA SENSOR TPS 11.00X1.00 VITON	TPS SENSOR O-RING 11.00X1.00 VITON	1

CONTACT US

---

GENERAL INFORMATION

[info@vertigomotors.com](mailto:info@vertigomotors.com)

